

## Operating instructions for dishwashers

---

It is **essential** to read these operating instructions before installing or using the machine, to avoid risk of accident or damage to the machine.



# Contents

---

<b>Guide to the appliance</b> . . . . .	3
<b>Warning and safety instructions</b> . . . . .	6
<b>Caring for the environment</b> . . . . .	9
<b>Before using for the first time</b> . . . . .	10
<b>Opening and closing the door</b> . . . . .	11
<b>Water softener (reactivation)</b> . . . . .	12
Setting the water hardness level/Filling the salt reservoir . . . . .	12/13
Add salt indicator light . . . . .	14
<b>Adding rinse aid</b> . . . . .	15
Rinse aid dosage setting . . . . .	16
<b>Loading the dishwasher</b> . . . . .	17
Loading examples . . . . .	18
Cutlery . . . . .	19
Flap up racks, positioning rail . . . . .	22
Adjusting the upper basket . . . . .	23
<b>Not suitable for dishwashers</b> . . . . .	24
<b>Adding detergent</b> . . . . .	27
<b>Programme selection</b> . . . . .	29
<b>Programme chart</b> . . . . .	30
<b>Switching on and off</b> . . . . .	32
Programme change; interrupting a programme; programme sequence display. . . . .	32/33
<b>Removing load</b> . . . . .	34
<b>Cleaning and care</b> . . . . .	35
<b>Checking the water level/Increasing the water intake time</b> . . . . .	39
<b>Problem solving guide</b> . . . . .	41
<b>After sales service</b> . . . . .	41
<b>Special accessories</b> . . . . .	42
<b>Comparison tests</b> . . . . .	43
<b>Installation Instructions</b> . . . . .	45
<b>Technical data</b> . . . . .	69

### **Dishwasher for building-in to a tall unit.**

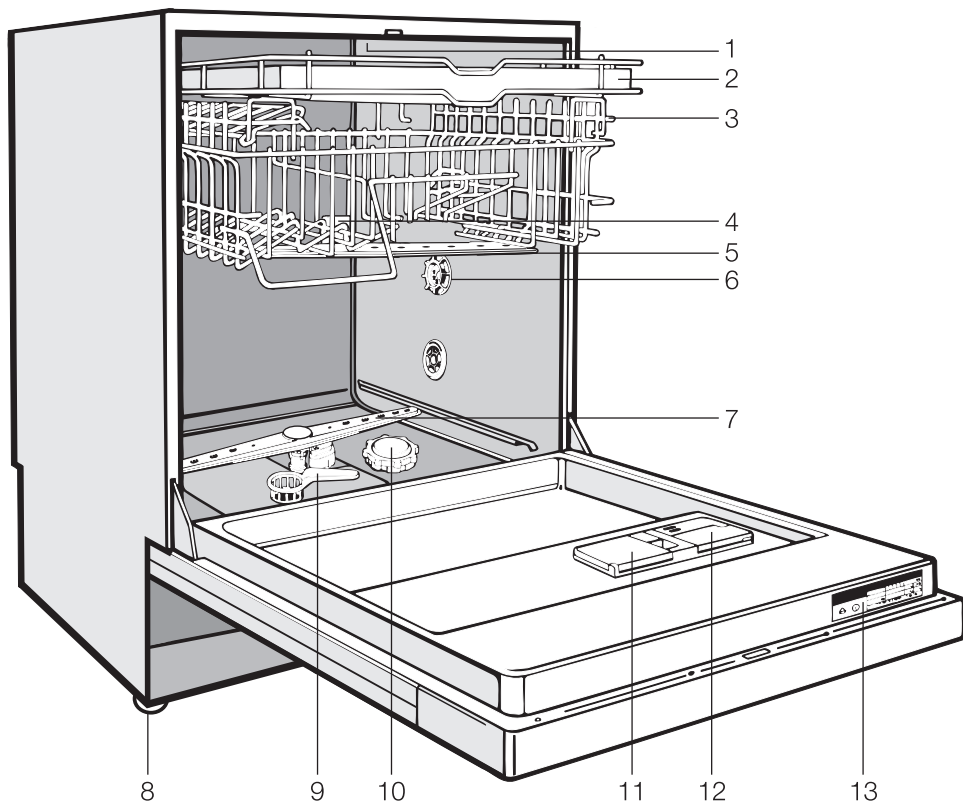
This dishwasher is specially designed for building-in to a tall unit.

Essential further accessories are: a control panel, a decor front and a building-in frame.

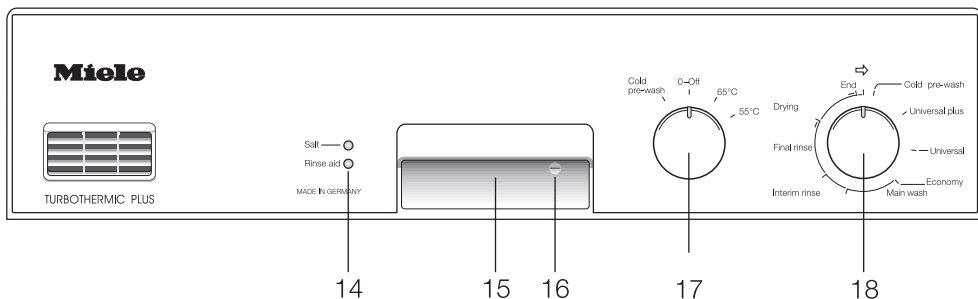
See section on "Installation" to build-in the dishwasher.

# Guide to the appliance

## View of the machine



## Control panel (Facia)



- 1 Upper spray arm (not visible)
- 2 Cutlery tray  
(standard depending on model)
- 3 Upper basket. (Design varies according to model, and may not match the one shown)
- 4 Water guide duct for the middle spray arm
- 5 Middle spray arm
- 6 Water hardness selector
- 7 Lower spray arm
- 8 Four height adjustable screw feet
- 9 Filter combination
- 10 Salt reservoir
- 11 Dual compartment detergent dispenser
- 12 Rinse aid reservoir  
(with dosage selector)
- 13 Data plate
- 14 Indicator lights
- 15 Door opener
- 16 Child safety lock
- 17 Temperature selector
- 18 Programme selector switch

# Warning and safety instructions

---

This appliance conforms to current safety requirements. Inappropriate use can however lead to personal injury and damage to property. Read the operating instructions carefully before starting to use this machine. This way you will avoid the risk of accidents, and damage to the machine. Keep these instructions in a safe place for reference, and pass them on to any future user.

## Appropriate usage

■ This dishwasher is intended exclusively for cleaning domestic crockery and cutlery in a domestic household. Do not use for purposes other than those for which it was designed. Any other applications may be dangerous.

■ The manufacturer cannot be held responsible for any damage caused by improper use or uses other than those for which the appliance is intended.

## The following notes are to help avoid personal injury

■ To ensure stability this dishwasher must only be built into a tall unit. It must not be set up as a freestanding machine.

■ The electrical safety of this appliance can only be guaranteed when continuity is complete between the appliance and an effective earthing system. It is imperative that this basic safety requirement is tested and where there is any doubt the electrical system in the house is checked out by a quali-

fied electrician. The manufacturer cannot be held responsible for damage caused by the lack or inadequacy of an effective earthing system, (electric shock for example).

■ For safety reasons do not operate this appliance on an extension cable. Danger of overheating.

■ A damaged appliance is dangerous. Switch off at the mains and call the Service Department for assistance.

■ Repairs may only be carried out by suitably qualified and competent engineers to ensure safety. Repairs by unqualified persons could be dangerous.

■ The plastic housing of the water inlet connection contains an electrical component. It must not be dipped in water.

■ Do not let small children play with the dishwasher and its controls or operate it. There is a danger that children playing might shut themselves in the dishwasher. Please supervise its use by the elderly or infirm.

■ Do not use solvents in the dishwasher. Danger of explosion!

■ Avoid inhalation of powder detergents.

# Warning and safety instructions

---

■ Dishwasher detergents contain irritant or corrosive ingredients. They can cause burning in the mouth and throat if swallowed, or inhibit breathing. Keep children away from detergents and from the dishwasher when the door is open. There could be detergent residues in the appliance.

■ To avoid the danger of children coming into contact with the dishwasher detergent: Only put it into the detergent dispenser just before starting the programme, and then secure the door with the child safety lock. For models with "Delay Start" option make sure the detergent dispenser is dry before putting in detergent. Wipe dry if necessary. Detergent will clog if poured into a damp dispenser and may not be thoroughly dispensed. If the door is open at the end of a programme, children may come into contact with this residue.

■ Water in the dishwasher must not be used as drinking water.

■ Appliances with a cutlery basket (depending on model): items of cutlery are cleaned and dried more efficiently if placed in the basket with the handles downwards. You may however, prefer to place cutlery with sharp points with the handles upwards.

■ Always disconnect the appliance from the electrical supply for maintenance work (switch off at wall socket and remove plug, screw out fuse in countries where this is applicable).

## The following notes should help to avoid material damage

■ The voltage and frequency shown on the data plate must match the mains supply in the house.

■ Only use detergents formulated for domestic dishwashers. Do not use washing-up liquid.

■ Do not use commercial or industrial detergents as these may damage material and there is a risk of severe chemical reaction.

■ Inadvertently filling the salt reservoir with dishwasher detergent always leads to serious damage to the water softener.

■ Make sure that you have picked up the right packet of dishwasher salt before filling the salt reservoir.

■ Inadvertently filling the rinse aid reservoir with powder or liquid detergent always leads to serious damage to the reservoir. Only use rinse aid formulated for domestic dishwashers.

■ Do not sit or lean on the opened door. This could cause the dishwasher to tip and be damaged.

■ Plastic items which cannot withstand being washed in hot water, e.g. disposable plastic containers, or plastic cutlery should not be cleaned in the dishwasher. The high temperatures could cause the material to distort.

# Warning and safety instructions

---

■ The Miele Waterproof System offers protection from water damage, provided the following conditions are met:

- the dishwasher is correctly installed and plumbed in
- the dishwasher is properly maintained and parts are replaced where it can be seen that this is necessary
- the stopcock has been turned off when the machine is not used for a longer period of time (e.g. during holidays).

■ In countries where there are areas which may be subject to infestation by cockroaches or other vermin, pay particular attention to keeping the appliance and its surroundings in a clean condition at all times. Any damage which may be caused by cockroaches or other vermin will not be covered by the appliance guarantee.

## Dishwashers with visible heating elements

■ For appliances with the heating element in the wash cabinet do not touch the element during or directly after the end of a programme, you could burn yourself.

■ Some plastic items could melt or catch fire if they were to come into contact with the heating element. Therefore always place plastic items or any other items which may not be completely heat resistant in the upper basket and ensure they cannot drop through. Any items which are too small to be lodged securely in the upper basket should not be cleaned in the dishwasher.

## Disposal of your old machine

■ When disposing of an old dishwasher first make it unusable. Disconnect, cut off the cable and the plug from the cable.

Make the door lock inoperative, so that children cannot accidentally shut themselves in. Make appropriate arrangements for the safe disposal of the appliance.

The manufacturer can not be held responsible for any damage caused by non-observance of the Warning and Safety instructions.



## Disposal of the packing material

The transport and protective packing has been selected from materials which are environmentally friendly for disposal and can normally be recycled.

Rather than just throwing these materials away, please ensure they are offered for recycling.

## Disposal of your old machine

Old machines contain materials which can be re-cycled. Please contact your local authorities or scrap merchant about potential recycling schemes, before disposing of the appliance.

Ensure that the machine presents no danger to children while being stored for disposal. See the appropriate section in the Warning and Safety instructions.

## Energy saving washing

These dishwashers are exceptionally efficient in their use of water and electricity. You can make the most of your appliance by following these tips:

- If your household water system is suitable, this dishwasher can be connected to a hot water supply, for further economies.

However, if your water is heated by electricity we would still recommend connection to cold water.

In the UNIVERSAL 55° programme, depending on the capacity of the dishwasher, when connected to hot water at 55°C up to 0.7 kWh of electrical energy is saved. The hot water provides this energy, and the approx. 0.13 l oil or 0.14 m<sup>3</sup> natural gas needed to heat the water might be considerably more cost effective.

Although all stages of the wash then take place with hot water, savings are made in cost, time and energy.

- Make full use of the baskets without overloading the dishwasher for most economical washing.
- Choose the programme to suit the type of crockery being washed and the degree of soiling.
- If baskets are only half full use the ECONOMY programme.
- Use the correct dosages of detergent.

# Before using for the first time

---

Before using for the first time please note the following points:

See the relevant chapters for detailed information on the points below.

## Setting the water softener

The water softener unit must be set to deal with the water hardness level in your area.

The salt reservoir must also first be filled with water and then with dish-washer salt. Never fill with dishwasher powder detergent.

Filling the salt reservoir with detergent by mistake will cause serious damage to the water softener.

Please check every time before refilling that the package contains dishwasher salt.

## Add rinse aid

Only use rinse aid formulated for domestic dishwashers.

Inadvertently filling the rinse aid reservoir with powder or liquid detergent, or washing up liquid, will cause serious damage to the reservoir.

## Do not use washing up liquid

Only use detergent formulated for domestic dishwashers.

## Load the crockery correctly

Load the crockery so that water will come into contact with all surfaces.

This ensures that they will be properly cleaned.

The spray arms must not be blocked by items which are too tall for the basket or which hang through. If necessary manually rotate the spray arms to test.

## Add the correct amount of detergent

Follow the detergent manufacturer's recommendations on how much detergent to use. Not using enough will lead to poor wash results. The amount to dispense will depend on the type of detergent and programme selected.

Read the notes on dosage given in the programme chart.

Cleaning results may vary from brand to brand. If you are not satisfied with the results from one brand try another quality brand before contacting the Customer Service department for advice.

## It is important to choose the correct programme

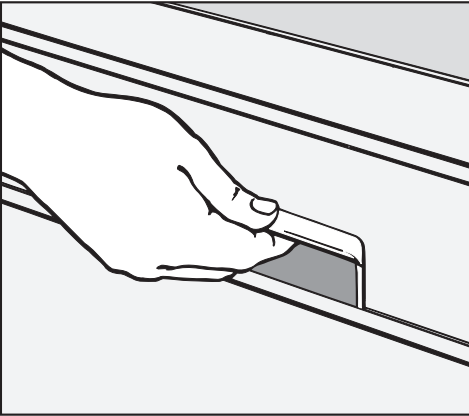
The UNIVERSAL programmes are ideally suited to everyday loads. See the programme chart for descriptions of other programmes.

## The filter combination in the base of the wash cabinet and the spray arms must be kept clean.

These should be regularly inspected and cleaned if necessary.

# Opening and closing the door

## To open the door



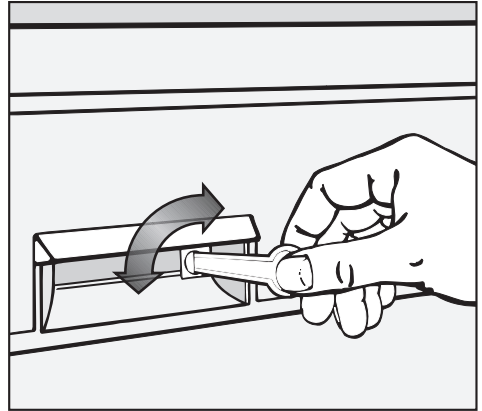
- Press the release catch inside the door grip.

If the door is opened during operation all functions are automatically interrupted.

## To close the door

- Push the baskets right in
- Lift the door upwards and push until it clicks into position

## Child safety lock



The child safety lock is designed to deter children from opening the dishwasher door.

- Use the key provided to turn the child safety lock to the required setting.



Horizontal setting = The door is locked.



Vertical setting = The door can be opened.

# Water softener

It is not necessary to reactivate with salt if the degree of hardness in the local supply is permanently under 70 mg/l, (0.7 mmol/l, or 4 °d German scale).

Your local water supplier will advise you on the water hardness of your area.

Above 70 mg/l (0.7 mmol/l, or 4 °d German scale) water must be softened.

This is to avoid the build-up of calcium deposits on crockery and cutlery, and in the dishwasher, and also to increase the effectiveness of the detergent.

To ensure a steady supply of soft water the built-in water softener must be:

1. correctly set and
2. the salt reservoir must be filled with dishwasher salt for reactivation.

The dishwasher is set at the factory to operate to a hardness level of 400 - 630 mg/l (4.0 - 6.3 mmol/l, or 22 - 35 °d German scale).

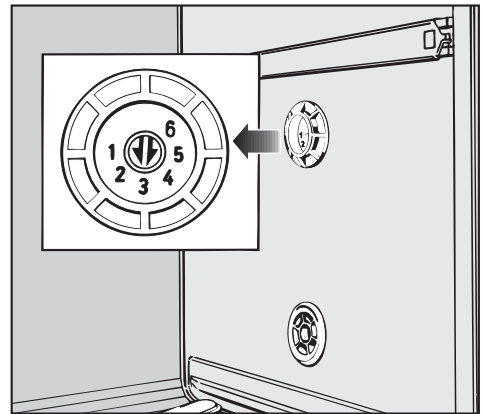
If your water is harder or softer than this the factory setting will need to be adjusted.

## Setting the water hardness level selector in the wash cabinet

There are six settings on the selector.

Setting	°d	mg/l	°f
1	4-14	70-250	7-25
2	15-21	270-380	27-38
3*	22-35	400-630	40-63
4	36-47	650-850	65-85
5	48-65	860-1170	86-117
6	66-70	1190-1260	119-126

\* factory setting



- Use a coin or screwdriver to adjust the water hardness level selector in the wash cabinet. There is a click as each setting is reached.

Example:

The water hardness level is 320 mg/l.

The water hardness level selector must be set to setting 2, 270 - 380 mg/l (15 - 21 °d German scale).

## Filling the salt reservoir

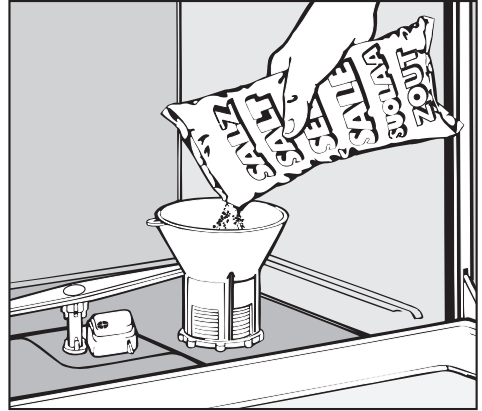
Please only use special coarse grained dishwasher salt for reactivation, as other salts may contain insoluble additives which can impair the functioning of the softener.

The salt reservoir holds approx. 2 kg of salt.

Inadvertently filling the salt reservoir with dishwasher detergent always causes serious damage to the water softener.

Make sure that you have picked up the right packet of dishwasher salt before filling the salt reservoir.

- Remove the bottom basket.
- Unscrew the salt reservoir cap.



Before filling the salt reservoir for the first time:

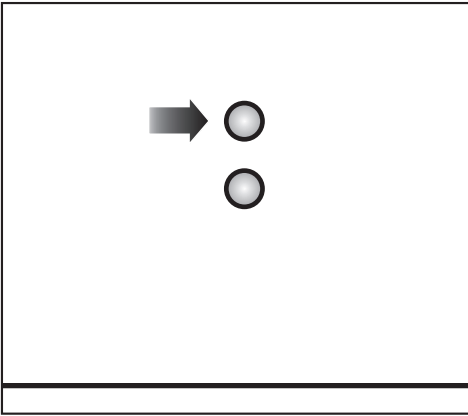
Fill the salt reservoir with approx. 2 litres of water.

- Place the funnel (provided) in place.
- Fill carefully with salt (As it is filled displaced water will run out).
- Clean salt from the screw threads of the socket.
- Screw the cap on firmly.
- Run the "PRE-WASH" programme immediately to remove any traces of salt water from the cabinet. This is not necessary if a "UNIVERSAL" or "UNIVERSAL PLUS" programme is run straight away.

# Water softener

---

## Salt indicator



When the salt reservoir is empty the “Salt” indicator light comes on. The reservoir should be refilled with dishwasher salt for reactivation.

## Note

With very soft water, i.e. constantly at a level below 70 mg/l (4 °d), the reservoir does not have to be filled with salt and although the salt light does come on, this can be disregarded.

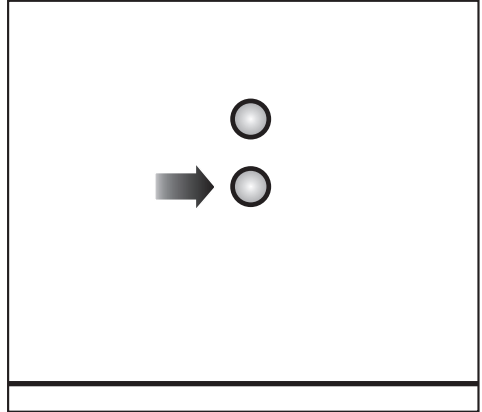
## Adding rinse aid

Rinse aid is necessary to ensure that water does not cling and leave marks on crockery during the drying phase. Rinse aid is poured into the storage reservoir and the amount set is dispensed automatically. The rinse aid reservoir holds approx. 130 cm<sup>3</sup>.

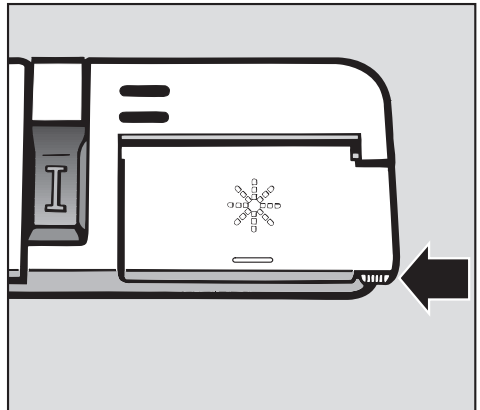
Inadvertently filling the rinse aid reservoir with powder detergent (or liquid detergent) always causes serious damage to the reservoir. Only pour rinse aid formulated for domestic dishwashers into the reservoir.

Although it is possible to use household vinegar with a max. 5% acid content, or liquid citric acid up to 50% acid as an alternative, the resulting rinsing and drying quality will not be as good as when rinse aid is used.

Do not use vinegar with a high acid content (e.g. vinegar essence 25% acid). This must not be used as its use would damage the dishwasher.

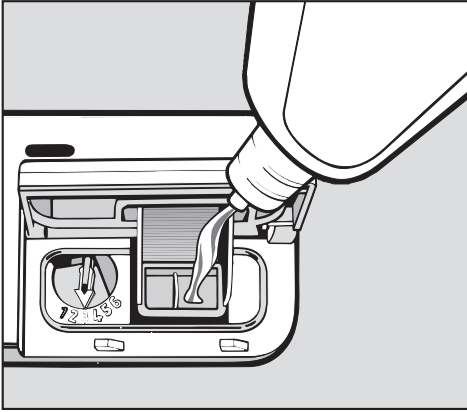


- Add rinse aid when the indicator light “Rinse aid” on the control panel comes on.



- Press the button (in the direction of the arrow) until the flap springs open.

# Adding rinse aid

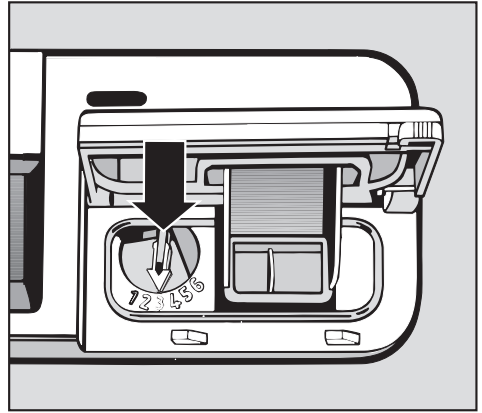


- Add rinse aid only until it is visible on the surface of the filter in the opening.
- Close the flap firmly. The flap must audibly engage, otherwise water could get into the rinse aid storage container during the programme.
- Mop up any split rinse aid. This prevents over-forming occurring during the next programme.

The flap should normally remain closed. Only open it for adding more rinse aid!

- Wait until the "Rinse aid" indicator on the control panel lights up before adding more rinse aid.

## Setting the dosage



The dosage adjuster (see arrow) in the opening has settings from 1 to 6. It is set to 3 at the factory, as the recommended dose. This setting dispenses approx. 3 ml rinse aid per programme.

- If there are flecks on glasses after drying use a higher setting.
- If smearing appears on crockery use a lower setting.



# Loading the dishwasher

---

## Note

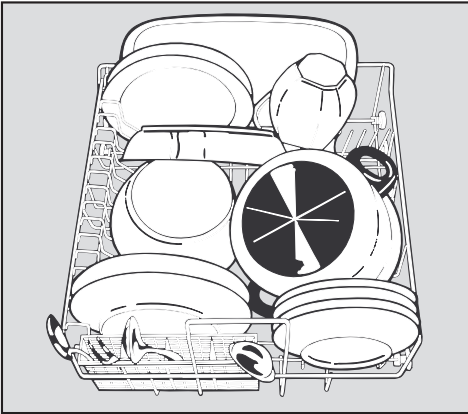
- Load the crockery so that water will come into contact with all surfaces. This ensures that they will be properly cleaned.
  - Do not place crockery and cutlery inside other pieces where they may be concealed.
  - Hollow items e.g. cups, glasses etc. must be inverted in the basket.
  - Deep based items should be placed at an angle such that water runs off them freely.
  - Tall narrow hollow pieces should be placed in the centre of the basket, rather than in the corners, to ensure good coverage of water.
  - Small pieces should be placed on the cup racks. Cups should be on the lower rack and bowls on the top rack so that water reaches all pieces.
  - The spray arms must not be blocked by items which are too tall for the basket or which hang through . If necessary manually rotate the arms to test.
- Some foodstuffs may contain natural dyes, e.g. carrots, tomatoes or ketchup. Plastic items in the dishwasher may discolour if large quantities of these foodstuffs find their way into the appliance on the crockery. The stability of the plastic items is not affected by this discolouration.

# Loading the dishwasher

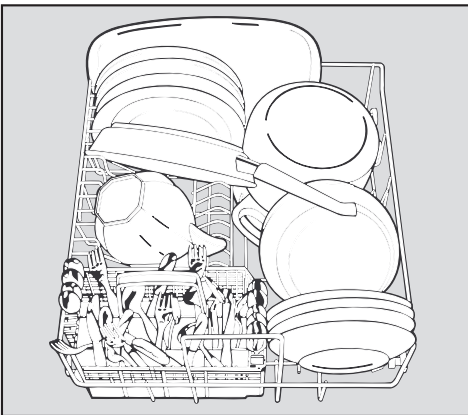
## Loading examples

### Lower basket

Larger and heavier items such as plates, serving platters, saucepans, bowls. Depending on the dishwasher model, glasses may only be cleaned in the bottom basket if it is fitted with a special glassware insert or if there is a special bottom basket.

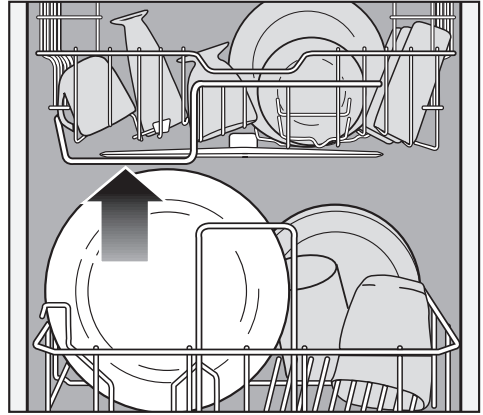


### Dishwashers with cutlery tray



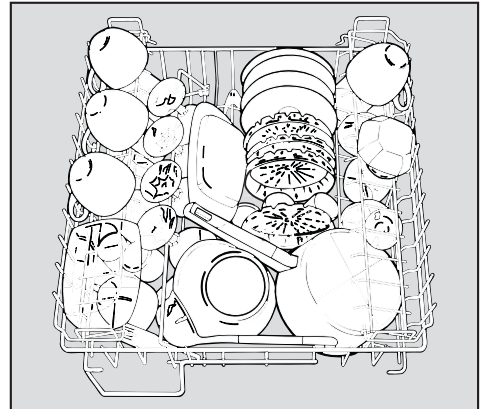
### Dishwashers with cutlery basket

## Height limit



The height guard at the base of the upper basket is there to protect the middle spray arm. No object placed in the lower basket should stand higher than this guard.

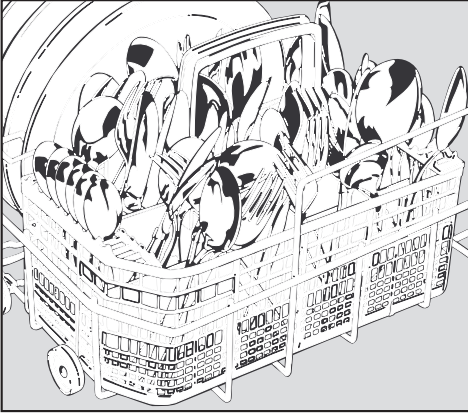
## Upper basket



Small, lightweight, delicate items such as cups, saucers, glasses, dessert bowls, etc.

## Cutlery

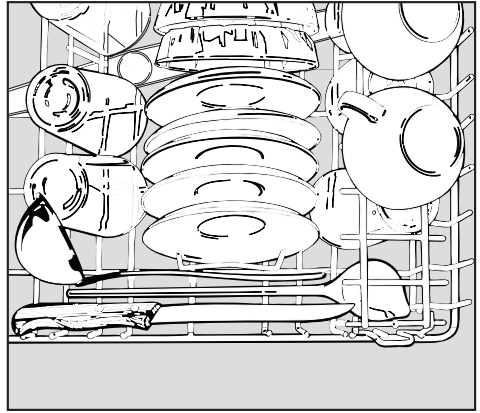
### Dishwashers with cutlery basket:



Unsorted cutlery should be placed in the cutlery basket, handles facing downwards.

You may, however, prefer to place cutlery with sharp points with the handles upwards.

Place small spoons in the individual slots to either side of the cutlery basket.



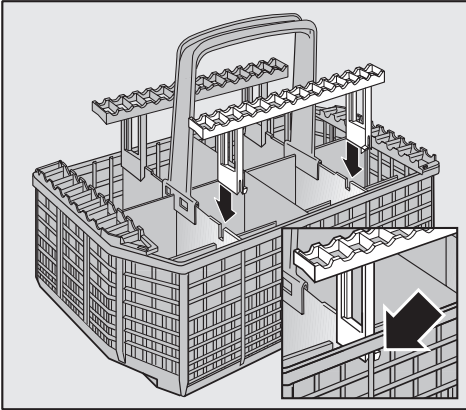
Larger items like soup ladles, long knives and mixing spoons should be placed lying down across the front of the upper basket.

# Loading the dishwasher

## Spoon inserts for cutlery basket

Use the inserts supplied when washing heavily soiled spoons, e.g. tablespoons and serving spoons.

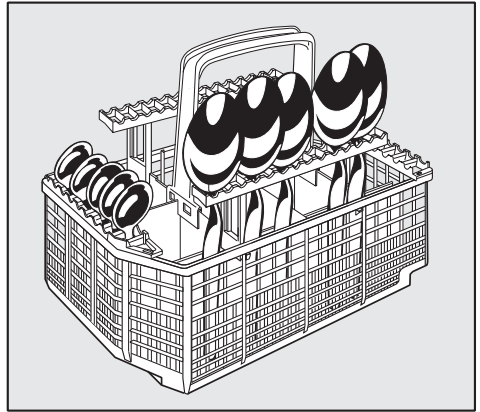
The inserts separate the spoons to allow a space between them, for the water jets to reach the entire surface.



- When needed place one insert at the front and one at the back of the cutlery basket.

Removing the inserts:

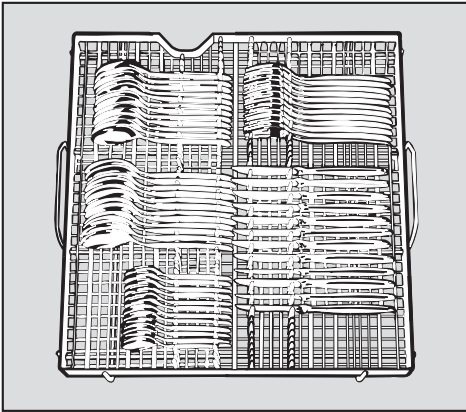
- Press the catches (which are already clicked in) inwards (if necessary use a spoon handle) and pull the inserts upwards and out.



- Place the spoons into the inserts with the handles facing downwards. Only use alternate slots.

# Loading the dishwasher

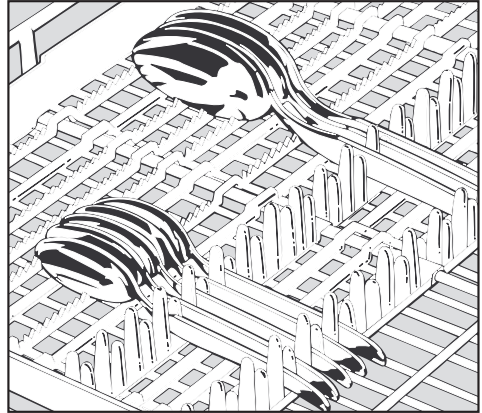
## Dishwasher with cutlery tray (SC models):



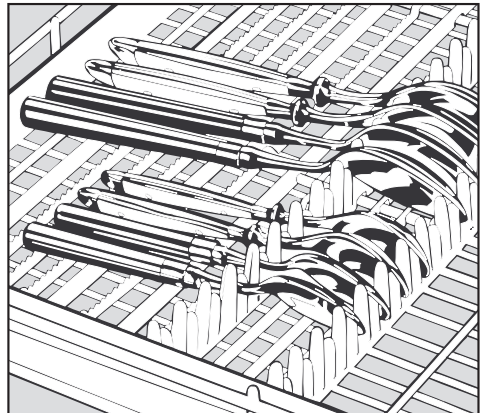
For best results cutlery should be grouped in zones, one for knives, one for forks, one for spoons etc. This makes unloading much easier.

The upper spray arm must not be blocked by items which are too big, e.g. cake slices.

The cutlery tray insert is removable (depending on model).



Spoon heads should be placed in such a way that water runs off them freely.



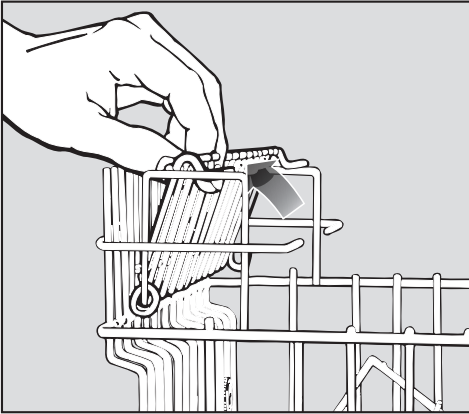
Cutlery with round or oval handles should be placed with the heads in the grips as this prevents them slipping.

Ensure that spoon heads are in contact with at least one of the grips in the cutlery tray. This way they cannot collect water.

# Loading the dishwasher

---

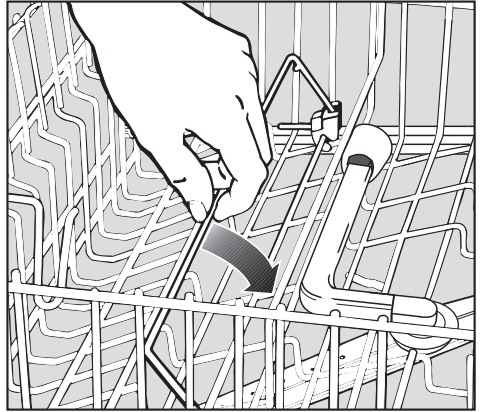
## Flap up racks



To make room for tall pieces raise the racks upwards.

## Positioning rail

(standard feature depending on model)



For easy sorting and removing of crockery the positioning rail can be rested to one side.

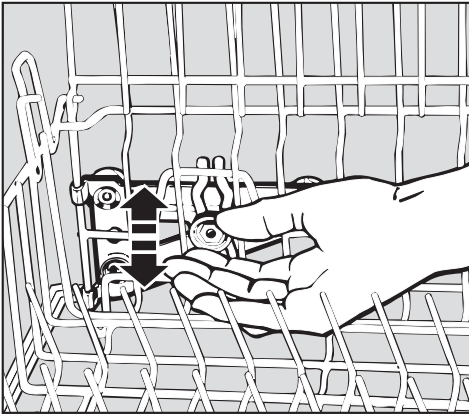
Raise it again afterwards so that crockery can rest against it in the basket.

# Loading the dishwasher

## Adjusting the upper basket

(depending on model)

In order to win more space for taller pieces of crockery in the bottom or upper basket, the upper basket can be adjusted in three steps with 2 cm between each step.



- Pull out the upper basket and loosen the two locknuts on either side of the basket.
- Adjust the basket up or down to the right height.
- Tighten the locknuts.

The upper basket can also be set to an angle, with one side high, and the other side low. Ensure however that the basket can be inserted smoothly into the cabinet.

Depending on the setting of the upper basket the following dimensions can be accommodated:

### Dishwashers with cutlery tray

Upper basket position	plates Ø in cm	
	Upper basket	Lower basket
Top	20.5	30
Middle	22.5	28
Bottom	24.5	26

### Dishwashers with cutlery basket

models with adjustable upper basket

Upper basket position	plates Ø in cm	
	Upper basket	Lower basket
Top	26	30
Middle	28	28
Bottom	30	26

models with non-adjustable basket

Plate Ø in upper basket: 28 cm

Plate Ø in lower basket: 28 cm

# Items not suitable for dishwashers

---

- cutlery with wooden or horn handles,
- wooden or plastic chopping boards,
- glued items, e.g. old knives with handles which have been glued on,
- hand-made craft items,
- copper or tin items,
- plastic items which are not heat resistant.

## **Please note**

- Silver- and aluminium items can suffer some discolouration.
- Aluminium components (e.g. grease filter) must not be cleaned with caustic alkaline commercial or industrial detergents. This may damage material or, in extreme cases, cause severe chemical reaction.
- Silver, treated with a silver polish may still be damp or spotted at the end of a programme, where water has not run off smoothly. It may need rubbing dry with a soft cloth. Silver, treated in a silver immersion dip is usually dry at the end of a programme but may discolour.
- Colours painted over a glaze may fade after many washes.
- Clouding may occur on glasses after frequent washing.

## **We recommend:**

- Wash delicate glassware in the ECONOMY 55 ° - programme, (or for models where the programme is available, GENTLE 45°C). This will reduce the risk of clouding.
- There are no standard guidelines for washing glassware. When in doubt wash by hand.
- When purchasing new crockery and cutlery, make sure they are dishwasher safe.



Only use detergents formulated for domestic dishwashers. Do not use washing up liquid.

Please note  
Dishwasher detergents contain irritant or corrosive ingredients. They can cause burning in the mouth and throat if swallowed, or inhibit breathing. Keep children away from detergent and from the dishwasher when the door is open. There could still be detergent residues in the cabinet.

To avoid the danger of children coming into contact with the dishwasher detergent:  
only put it into the detergent dispenser just before starting the programme.

## Selecting detergent

Recently almost all detergent manufacturers have launched new detergents with a different composition, in addition to standard types.

Should you experience difficulties when using these types of products, please contact Miele Customer and Technical Services Department, or the detergent manufacturer's own Advisory Service.

These new dishwashing detergents, although welcome from an ecological point of view, react to a different degree from conventional products to water hardness. The drawbacks may only become apparent after a prolonged period of use.

### **The following problems may occur:**

- White deposits on crockery and inner cabinet.
- Increased etching in the form of a bluish sheen on the surface of glassware.
- Discolouration of silverware.

**Appearances of this nature are generally caused by the detergent used and are not attributable to any malfunctioning of the dishwasher itself.**

# Adding detergent

---

## Preventive measures:

1. If you wish to continue using the new chlorine and phosphate-free products, the following is recommended:
  - Set the water hardness selector one setting higher than recommended in the “Water softener” chapter, if the water hardness is at the top of the scale (except with setting 6).  
Example:  
above 610 mg/l (34 °d ) set the water hardness selector to setting 4.
  - Try out an environmentally friendly detergent of the same type from another manufacturer.
2. If you are still dissatisfied with the results, we recommend the use of chlorine-free but not phosphate-free detergent.
  - Set the water softener and dispense detergent according to instructions given in this instruction booklet.
3. If results are still not to your satisfaction, you should revert back to using conventional detergents containing both chlorine and phosphate.
  - Set the water softener and dispense detergent according to instructions given in this instruction booklet.

Should you experience difficulties when using these types of products, please contact the detergent manufacturer's own Advisory Service.

Dishwasher detergent must be added before each programme (except COLD PRE-WASH).

- Pour powder or liquid detergent into the dispenser.
- Dishwasher detergent tablets can be put at various places in the wash cabinet, (follow the manufacturer's advice on the packet).

Detergent manufacturers give the required amount of detergent in ml (or g) on the packaging.

For UNIVERSAL programmes use at least 30 ml (or g) detergent unless advised to use more by the manufacturer, then use what they advise.

The amount to dispense will depend on the type of load and the programme selected.

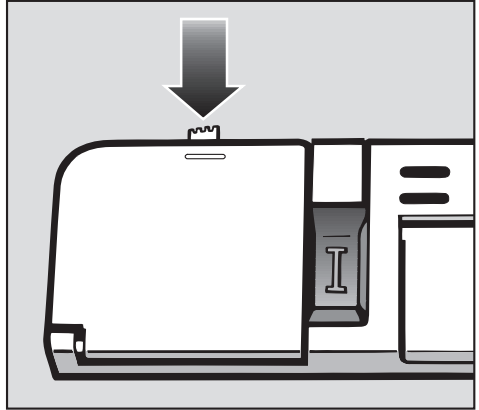
See the programme chart on the next pages for advice on amounts to dispense.

- If you buy detergent in bulk please ensure that the container is always properly sealed after use. Otherwise the detergent can lose its effectiveness.

# Adding detergent

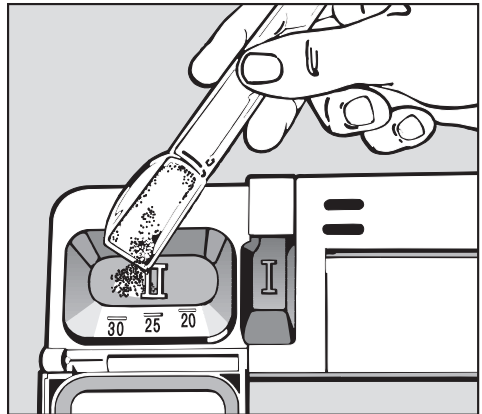
For information:

Compartment I takes max. 25 ml, Compartment II max. 80 ml. There are horizontal markers to assist with dispensing in compartment II, indicating the level in ml.



- Press the opening catch on the container flap.  
The flap will spring open.

The flap is always open at the end of a programme.



- Pour in the required amount of detergent.
- Shut the flap.

Choose your programme according to the type of load and how dirty it is.

In most cases this will be a UNIVERSAL - programme.

- UNIVERSAL 55 ° or 65 °  
(with one pre-wash) or
- UNIVERSAL PLUS 55 ° or 65 °  
(with two pre-washes).

These programmes are ideally suited to everyday loads, mixed loads with varying degrees of soiling.

For particular needs there are special programmes:

- The different programmes and their uses are described on the next two pages in the Programme chart.

# Programme chart

Programme	When to use	Detergent		
		A <sup>1)</sup>		B <sup>2)</sup>
		Compartment I (Pre-wash)	Compartment II (Wash cycle)	Compartment II (Wash cycle)
<b>Universal Programmes</b>				
UNIVERSAL 55 ° <sup>3)</sup>	This programme is for <u>normal</u> everyday loads	20 %	80%	100 %
UNIVERSAL 65 °	as UNIVERSAL 55 °, but higher temperatures for <u>stubborn dried on particles</u>	20 %	80 %	100 %
UNIVERSAL PLUS 55 °	as UNIVERSAL 55 °, but with preliminary pre-wash for <u>heavy soiling</u>	20 %	80 %	100 %
UNIVERSAL PLUS 65 °	as UNIVERSAL PLUS 55 °, but higher wash temperature for <u>stubborn dried on particles</u> and lightly soiled pots and pans	20 %	80 %	100 %
<b>Special programmes</b>				
ECONOMY 55 °	for <u>full</u> loads with <u>very light soiling</u> , e.g. coffee cups, or: for <u>half</u> a <u>normal</u> everyday load		50 %	50 %
COLD <sup>4)</sup> PRE-WASH	for rinsing crockery to avoid smells if a complete cycle is not needed			

The amount dispensed will depend on the type of detergent being used:

**A<sup>1)</sup>** Use this method for:

- detergents which contain phosphates and chlorine (except liquid detergent)

Divide the total amount proportionally between compartment I and compartment II.

**B<sup>2)</sup>** Use this method for:

- detergent which is chlorine and phosphate free
- detergent which is chlorine free but contains phosphates
- liquid detergent

In this instance the whole amount is placed in compartment II.

For UNIVERSAL programmes use at least 30 ml (or g) detergent unless advised to use more by the manufacturer, then use what they advise.

3) Standard programme according to IEC 436 (see chapter "Comparison tests")

4) See chapter "Plumbing" (Water inlet)

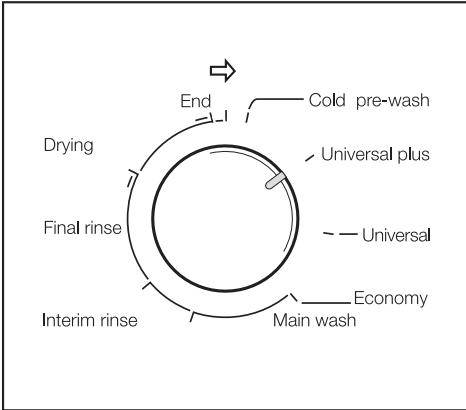
Programme cycle						Consumption			Time	
						Energy kWh	Water	Minutes (approx.)		
1. Preliminary pre-wash	2. Pre-wash	Main wash	Interimrinse	Finalrinse	Drying-phase	Water cold (15 °C)	Water hot (55 °C)	Litres	Water cold (15 °C)	Water hot (55 °C)
	X	X 55 °	X	X 65 °	X	1.3	0.6	20	83	70
	X	X 65 °	X	X 65 °	X	1.4	0.7	20	86	72
X	X	X 55 °	X	X 65 °	X	1.5	0.5	25	90	75
X	X	X 65 °	X	X 65 °	X	1.6	0.7	25	94	78
		X 55 °	X	X 65 °	X	1.2 <sup>5)</sup>	0.4 <sup>5)</sup>	16	68 <sup>5)</sup>	58 <sup>5)</sup>
X						0.06	0.06	5	8	8

5) with half loads (6 place settings)

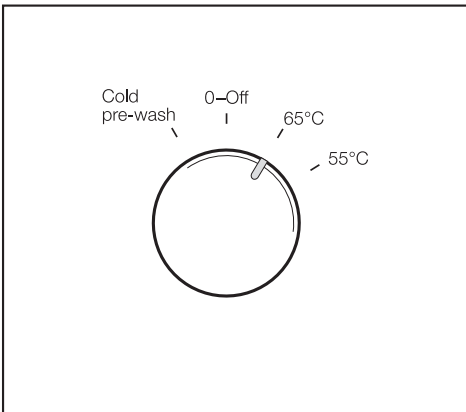
# Switching on and off

## Switching on

- Close the door
- Open the stopcock (if it is closed).



- Turn the Programme (sequence indicator) selector switch in a clockwise direction to the “start point” (a click) of the required programme, e.g. UNIVERSAL PLUS.



- Then turn the Temperature selector switch to the required temperature e.g. “65 °”.
- The programme cycle begins.

## If you turn the selector past the “start point” by mistake:

- Turn the temperature selector switch to “0-Off”.
- Turn the programme selector switch in a clockwise direction to the required start point.
- Re-set the temperature with the temperature selector switch.

## Programme change

- It is possible to change temperature within a programme, e.g. UNIVERSAL 55 ° to UNIVERSAL 65 °.
- If changing a programme, e.g. UNIVERSAL PLUS to UNIVERSAL it is advisable to first turn the dishwasher off.

## Switching off

On completion of a programme:

- Turn the temperature selector to “0-Off”.

If the dishwasher is not to be used for a longer period of time, e.g. whilst on holiday:

- Turn off the stopcock.



## Programme sequence indication

During the programme the programme selector switch moves around the dial to show which stage has been reached:

- Pre-wash (not shown)
- Wash cycle
- Interim rinse
- Final rinse
- Drying phase

The programme selector switch remains stationary during the warm-up phases of the wash and rinse cycle until the required temperature has been reached.

### Note!

Do not finish a programme prematurely. Important programme stages (e.g. re-activating the water softener) could be omitted.

A programme is complete only when the programme selector switch is at the “End” position.

The dishwasher can be opened and crockery unloaded. If it is left closed, the fan will continue for a few more minutes to diminish any remaining moisture.

This is recommended if the crockery is not required immediately. This process is extra to the wash programme.

The COLD PRE-WASH programme is complete only when the programme selector switch stops just before the start point of the “UNIVERSAL PLUS” programme.

## Programme interruption

A programme is interrupted as soon as the door is opened.

If the door is closed again the programme will continue from the position it was at when it was interrupted.

### Warning

Water in the dishwasher may be hot. Danger of scalding!

Only open the door if absolutely necessary and exercise caution when doing so.

Before closing the door leave it ajar for approx. 20 secs. This will enable the temperature in the wash cabinet to settle. Close the door firmly making sure that it clicks into place.

## Removing load

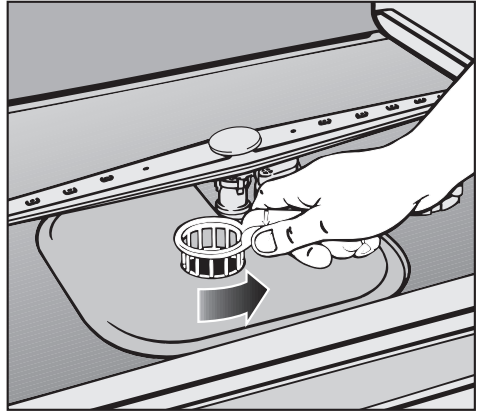
---

- Hot crockery will chip and break more easily.  
After switching off let it cool down in the dishwasher until it is comfortable enough to handle, before you unload it.
- If you open the door fully after switching off, the crockery will cool down much faster.
- First unload the lower basket, then the upper basket and then the cutlery tray (if you have one) at the very end.  
This way you avoid water droplets from the upper basket or the cutlery tray falling on to crockery in the bottom basket.

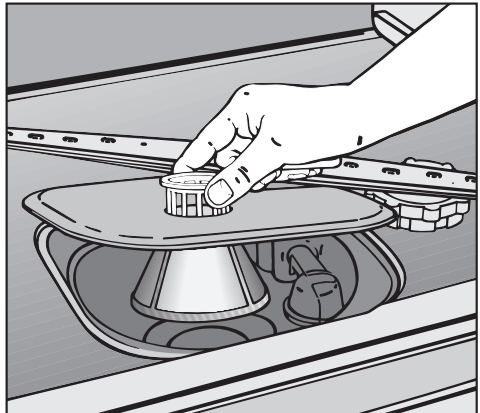
### Cleaning the filters in the wash cabinet

The dishwasher must not be used without all the filters in place!

The filter combination in the base of the wash cabinet should be regularly inspected and cleaned if necessary.



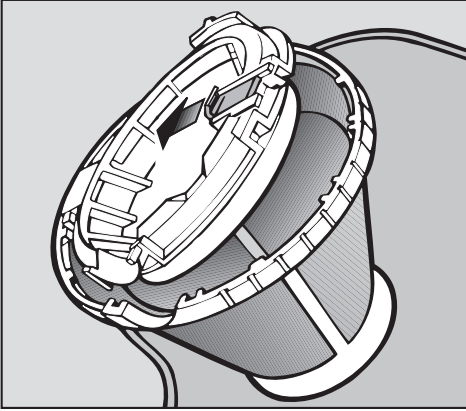
- Turn the handle anti-clockwise to release the filters.



- Lift and take the filter combination out of the machine. Remove coarse particles and rinse under running water. Use a nylon brush if necessary.

## Cleaning and care

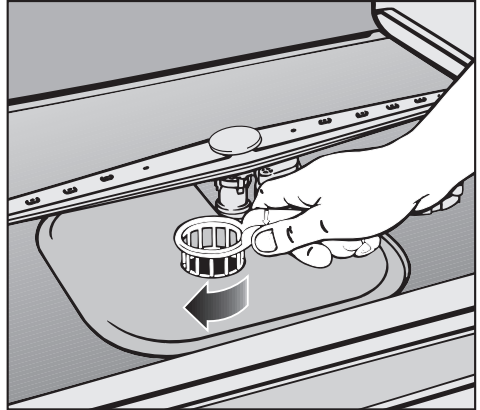
---



- Turn the filter combination over and open the coarse filter by pulling back on the locking device.
- Clean the coarse filter under running water, using a brush if necessary, and press the locking device back in.

### Important:

After cleaning make sure that the locking device is properly locked.



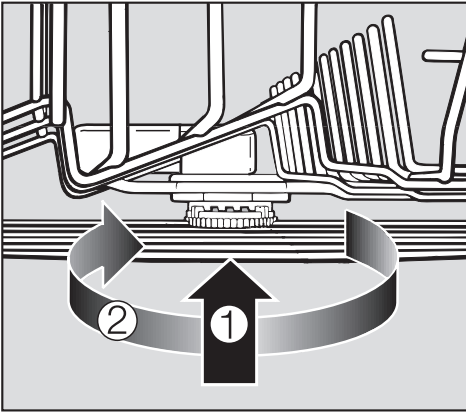
- Replace the filter combination so that it lies flat in the base of the wash cabinet. Secure the filter by turning the handle in a clockwise direction.

## Cleaning the spray arms

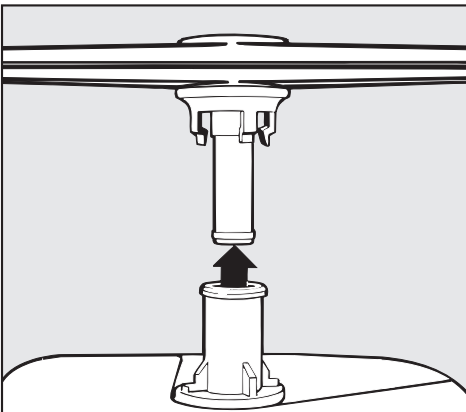
Particles of food can lodge in the spray arm jets.

The spray arms should be inspected and cleaned regularly (approx. every 6 months).

To do this remove the spray arms as follows.



- Lift up the middle spray arm ① to engage the tooth-wheel mechanism. Then unscrew the spray arm ②.



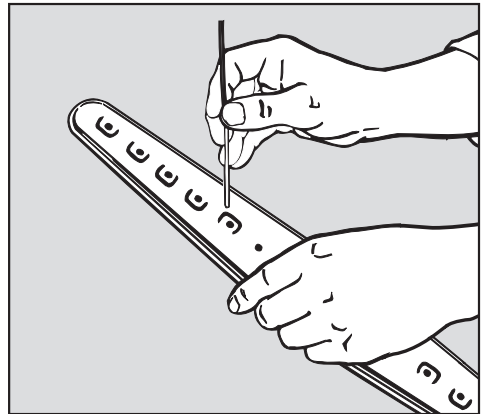
- Remove the lower basket and take out the lower spray arm.

## Dishwashers with cutlery basket:

- Unscrew the upper spray arm.

## Dishwashers with cutlery tray:

- Pull out the cutlery tray.
- Lift up the upper spray arm to engage the tooth-wheel mechanism and then unscrew the spray arm.



- Using a sharp pointed object push the food particles into the spray arm jets and rinse well under running water.

Please note:

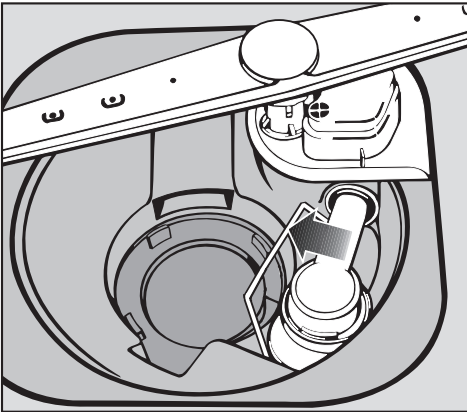
After replacing the spray arms check that they move freely.

# Cleaning and care

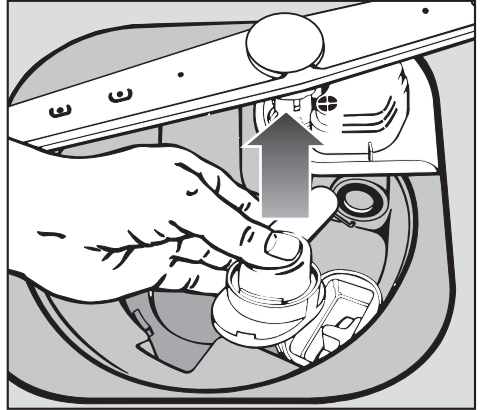
## Cleaning the drain pump and non-return valve

If water has not been pumped away at the end of a programme the drain pump or the non-return valve might be blocked. They are, however, easy to clean. Watch out for glass splinters, which could cause injury.

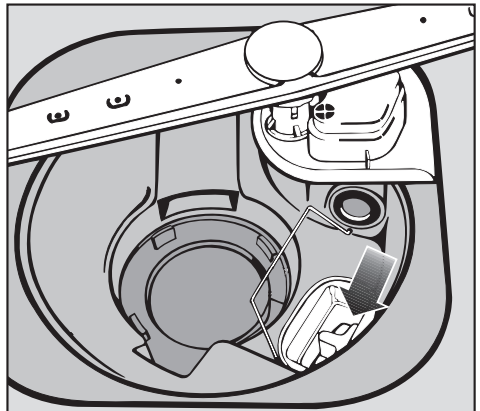
- Take the filter combination out of the wash cabinet.
- Use a jug or bowl to scoop water out of the wash cabinet.



- Raise the locking clamp.



- Lift up the non-return valve and rinse under running water.



The drain pump is situated under the non-return valve (see arrow).

- Before replacing the non-return valve check that the drain pump impeller turns with only slight resistance, and that there is no obstruction.
- Carefully replace the non-return valve and secure with the locking clamp.
- Replace and secure the filter combination.

## Cleaning the filter in the water inlet

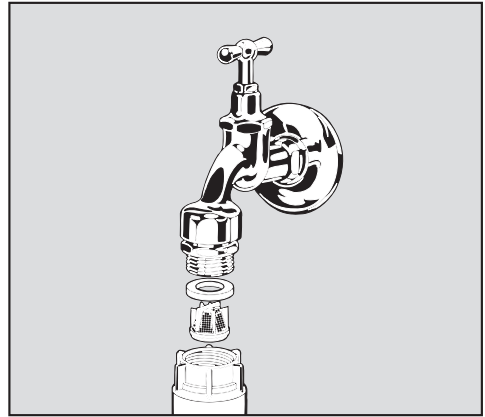
A filter is incorporated in the screw connection of the valve on the water inlet hose. The filter must be cleaned when dirty, otherwise insufficient water flows into the wash cabinet.

The plastic housing of the water connection contains an electrical component. It must not be dipped in water.

## Fitting an in-line water filter

If the mains water contains a large number of insoluble substances, we recommend fitting a large area filter in the connection between the stopcock and the water inlet hose threaded union. These filters can be obtained from the Miele Spares Department (Part No.: 75577).

## To clean the filter



- Disconnect the appliance from the mains supply (switch off at the main socket and pull out the plug, switch off the appropriate circuit at the fuse-box or withdraw the mains fuse).
- Turn off the stopcock and unscrew the inlet hose.
- Carefully remove the rubber seal.
- Withdraw the filter using pointed pliers and clean by rinsing under running water.
- Replace filter and seal. Make sure they are sitting correctly!
- Screw back into place on the water inlet, taking care that it goes back on straight.
- Turn on the stopcock gradually to test for leaks.  
If there is a leak:  
Screw the connections on more tightly.

# Cleaning and care

---

## Cleaning the wash cabinet

In general the wash cabinet is self-cleaning, provided that the correct amount of dishwasher detergent is used.

If however there are lime scale or grease deposits these can be removed with a proprietary dishwasher cleaner.

## Cleaning the door and the door seal

- Wipe the door seal regularly with a damp cloth and remove any particles of food.
- Wipe away any residue of food and drink spillage from the sides of the dishwasher door. These are not part of the wash cabinet and are not reached by water from the spray arms.

## The fascia panel

- This should only be wiped with a damp cloth, or a suitable plastic cleaner.

Do not use an abrasive cleaner, a glass cleaner or an all-purpose cleaner. Because of their chemical composition they could cause serious damage to plastic surfaces.

## The front of the dishwasher

- Clean using a suitable proprietary cleaning agent.

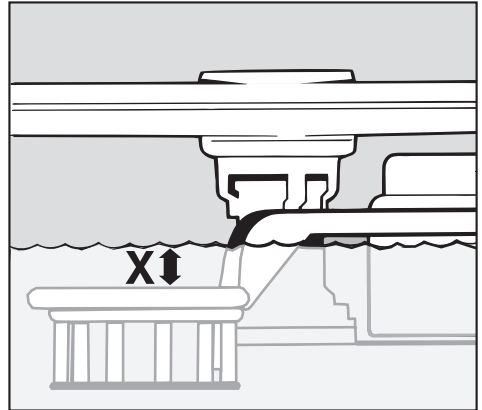
Do not use any cleaner containing ammonia or thinners.



### Checking the water level

If the water pressure (flow rate at the take-off point) is too low, i.e. less than 1,0 bar, too little water will flow into the wash cabinet.

- To ensure an accurate assessment open the stopcock fully and run the PRE-WASH programme once (without crockery) to bring water into the system.
- Run the PRE-WASH programme again. After approx. 3 minutes open the door and remove the bottom basket from the machine.



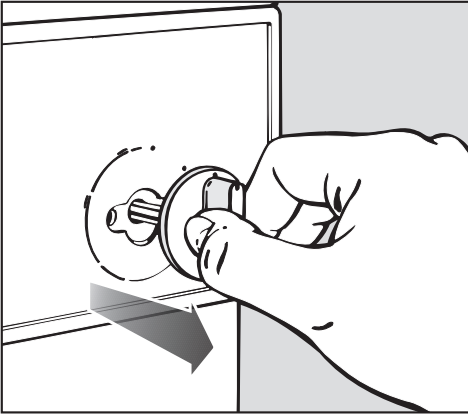
The water level is correct when dimension “X” is at least 4 mm.

- If it measures less, then the water intake time must be increased.

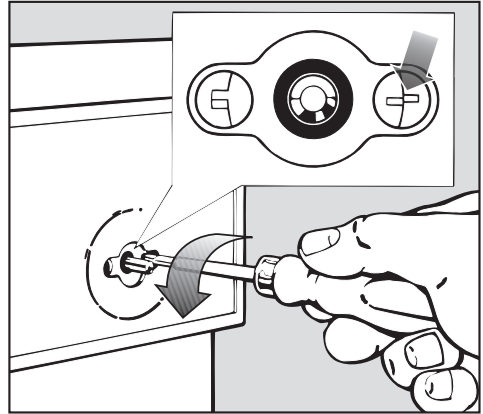
# Checking the water level

---

## Increasing the water intake time



- Position the right hand switch vertically and then pull it off.



- Using a 4-5 mm wide screwdriver turn the adjuster mechanism to the right hand side of the spindle carefully in an anti-clockwise direction until it checks into position.



= Anti-clockwise turn (increases water intake – 2 min.)



= Clockwise turn (factory setting – 1 min.)

### Note:

If the water intake time has been increased, then the water hardness selector must be reset at one grade higher than that stated in chapter “Water softener” (except with setting 6).

With the aid of the following explanatory notes, minor faults can be corrected without contacting the Miele Service Department.

Any work on the electrical components of the appliance should only be carried out by a suitably qualified and competent person in accordance with local and national regulations. Unauthorised repairs could be dangerous.

## Faults/possible causes

### The dishwasher does not start

- The door is not properly closed.
- The plug is not properly inserted.
- The fuse is defective/has blown.

### The dishes are not clean

- The dishes are incorrectly loaded.
- The wrong amount of detergent was used.
- The stopcock was not fully opened.
- The water pressure is too low (too little water in the wash cabinet) – see chapter “Checking the water level”.
- The filter in the water inlet screw connection is blocked - see “Cleaning and care”.
- The filters in the wash cabinet are not clean - see “Cleaning and care”.
- Spray arm jets are blocked - see “Cleaning and care”.
- The spray arms are obstructed by items in the baskets.

### White residue on cutlery and crockery

- Not enough rinse aid.
- No salt in the salt reservoir.
- Salt reservoir lid has not been screwed on properly.

### Water in the wash cabinet at the end of a programme

- The drain hose is kinked.
- The drain pump or non-return valve may be blocked. See “Cleaning and care”.

## After Sales Service

- Should you still have any difficulties, or if the appliance is under guarantee please contact:

- your Miele Dealer or
- the Miele Service Department

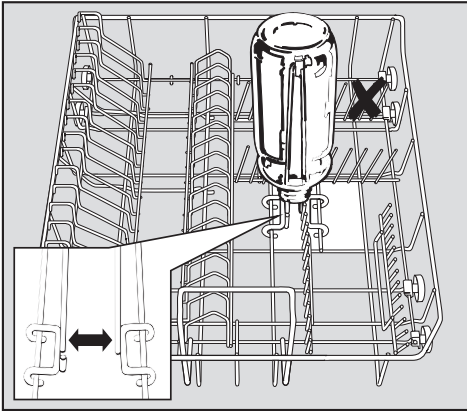
See back cover for addresses.

- Please quote the model type and number of your appliance. This information can be found on the data plate inside the door.

# Special accessories

## Bottle holder

(depending on model)



The bottle holder (e.g. for milk or baby bottles) can be used in the bottom basket.

To achieve good cleaning results the bottle holder should only be placed in the positions marked white – and on no account in the positions marked with an **X**.

Other special accessories e.g. special inserts for glasses or plates, etc. are available through your Dealer or the Spare Parts Department. See the following list.

## Installation - special situations

**Adapter strips** to adapt the dishwasher front where the height of the wall unit recess is more than 882 mm.

## Inserts

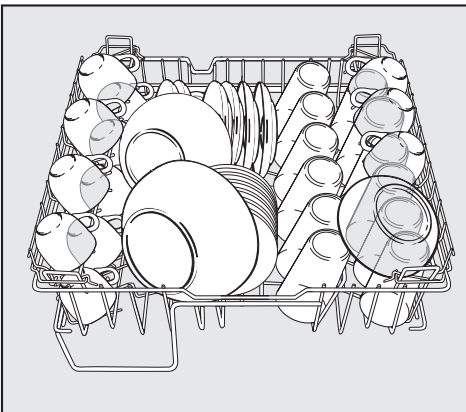
**Glass inserts for the bottom basket**, (only available for models with removable inserts in the bottom basket).

**Glass inserts for the upper basket**, especially for glasses which need a special support.

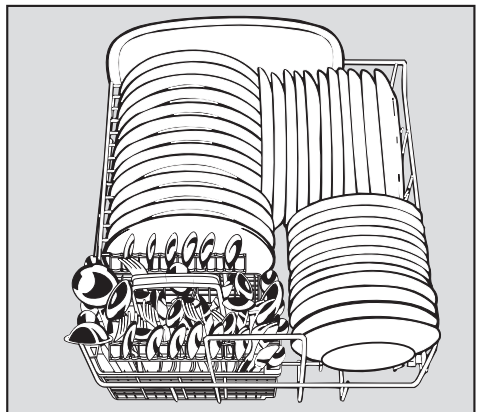
<b>Test standard:</b>	IEC 436 / DIN 44990 / IEC 704 / prEN 50242
<b>Programme tested:</b>	UNIVERSAL 55 °
<b>Amount of detergent:</b>	If using a detergent containing chlorine: 5 g in compartment I, 25 g in compartment II. If using a chlorine-free detergent: 30 g <u>only</u> in compartment II.
<b>Rinse aid dispensing:</b>	Setting 3, (approx. 3 ml, set at factory)
<b>Noise measurement:</b>	Before starting a programme to measure noise, the dishwasher door must first be opened completely. Doing this will automatically close the vent exit for the turbothermic drying process as in daily use.
<b>Amount washed:</b>	12 place settings

## Dishwasher with cutlery basket

<b>Spoon inserts:</b>	Fit the two inserts on top of the cutlery basket, (see Section on loading the dishwasher, spoon inserts). Place six spoons at intervals in each insert.
-----------------------	---



**Upper basket**

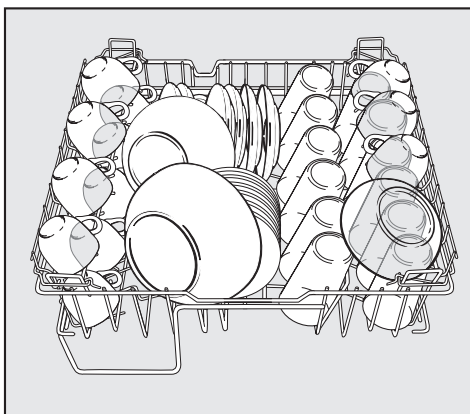


**Lower basket**

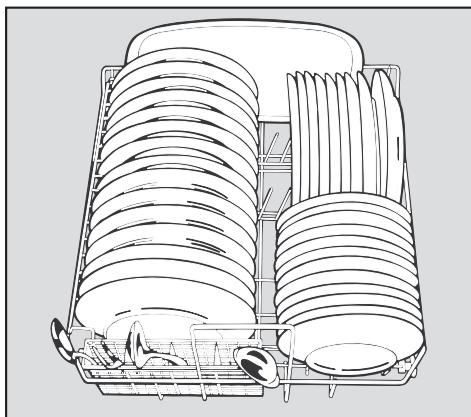
# Comparison tests

---

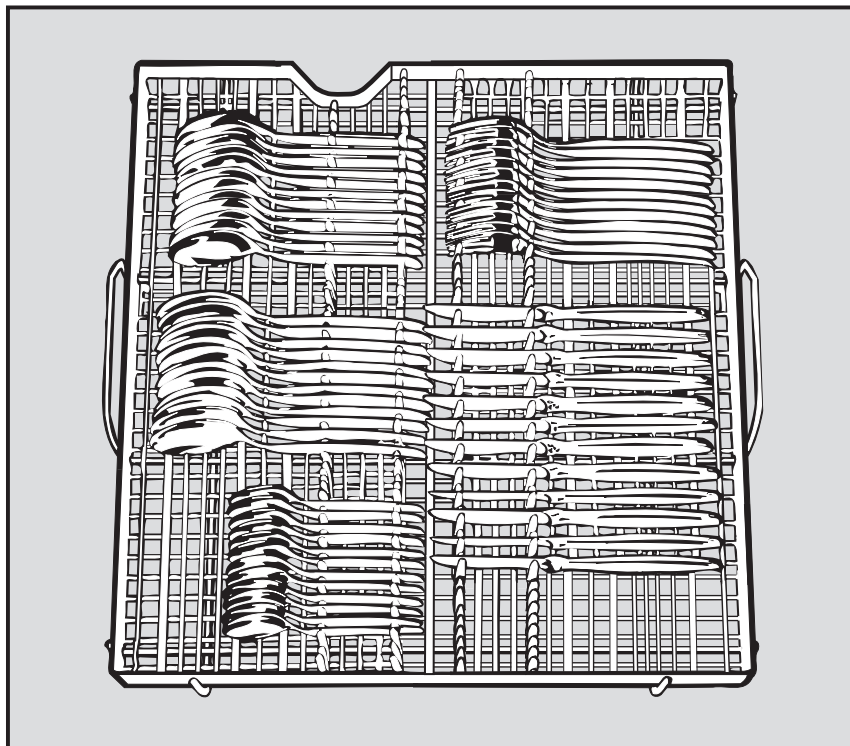
## Dishwasher with cutlery tray



Upper basket



Lower basket



Cutlery tray

# Installation instructions





<b>Building in the dishwasher</b> . . . . .	50
1. Measurements . . . . .	50
2. Fitting the control fascia panel . . . . .	51
3. Fitting the panel front . . . . .	52
4. Adjusting dishwasher height . . . . .	52
5. Fitting the drain hose . . . . .	53
6. Building in kit . . . . .	54
7. Fitting building in frame and installing the dishwasher . . . . .	56
<b>Electrical connection</b> . . . . .	63
<b>Plumbing</b> . . . . .	65
Connection to the water inlet . . . . .	66
Drainage . . . . .	68
<b>Technical data</b> . . . . .	69

# Installation

This dishwasher is intended to be built into a tall unit.

The following are needed:

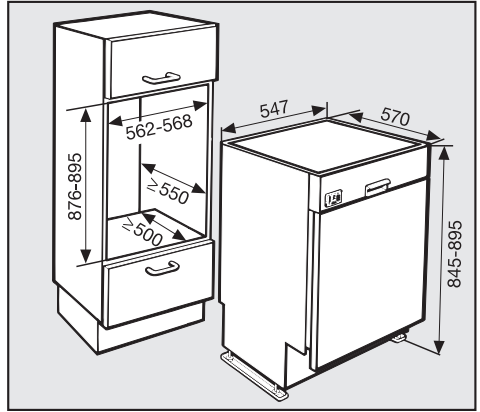
- A fascia panel (GW...)
- A dishwasher front, consisting of panel front and plinth fascia (GFH 55)
- A building in frame (GER 60).

The fascia panel and the front panel must be fitted before the dishwasher is built into the tall unit .

To ensure stability this dishwasher must only be built into a tall unit. It must not be set up as a freestanding machine.

The tall unit should be secured to the wall for stability with the bracket supplied.

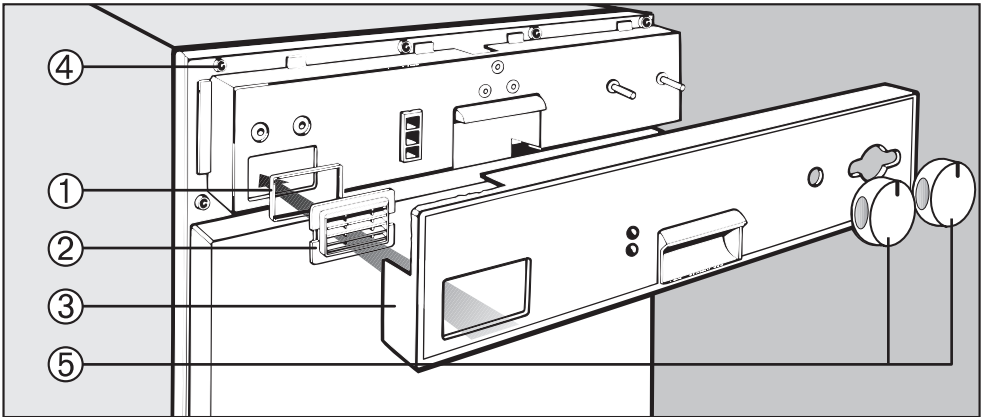
## 1. Measurements for building in



The following conditions must be met:

- The recess floor must be capable of bearing a load of at least 80 kg.
- The height of the dishwasher from the base of the floor will depend on the onsite water inlet connection (see section on “Plumbing”).
- The cabinet / space into which the dishwasher is being built must be at least 550 mm deep.
- An installation opening (from base of the recess to floor) must be a minimum of 50 mm deep and 100 mm wide.

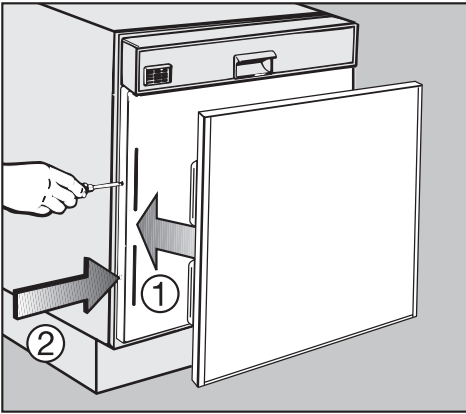
## 2. Fitting the control facia panel



- Fit the seal supplied ① into the groove surrounding the ventilation grille ②.
- Push the ventilation grille ② into position.
- Place the facia panel ③ in position and screw into place from the inside of the door using the six screws ④.
- Attach the switch knobs ⑤.

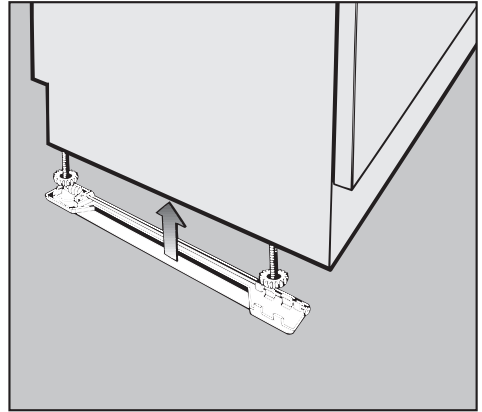
# Installation

## 3. Fitting the panel front



- Hang the panel front into the slits of the machine door outer panel ①.
- Tighten the fixing screws ② on both sides of the door outer panel.
- Plug the openings ② for the fixing screws using the plastic stoppers provided.

## 4. Adjusting the dishwasher height



- Adjust the machine feet evenly until the height of the dishwasher just reaches the height of the recess.
- Press the slides – with the ratchet at the rear – under the screw feet.

## 5. Fitting the drain hose

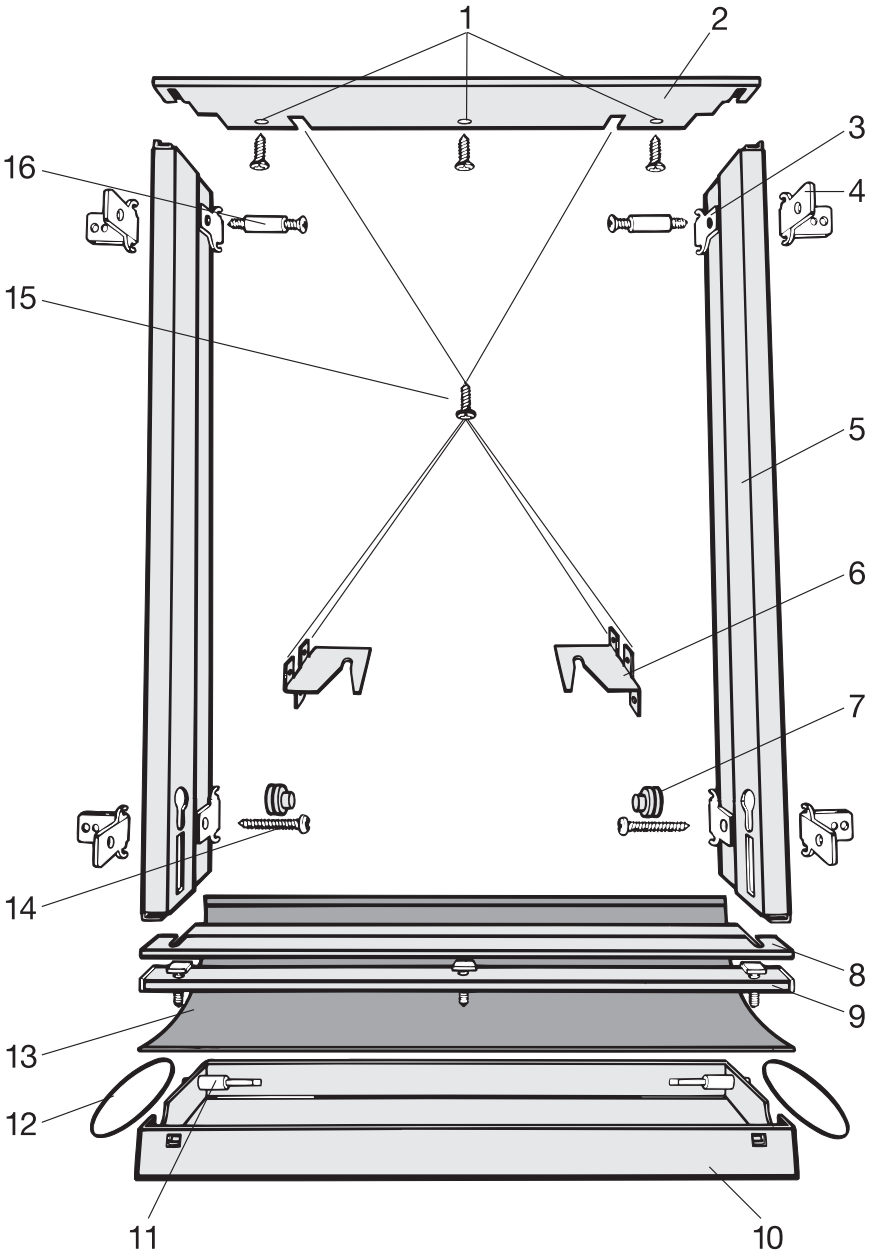
The drain hose is in the wash cabinet. The connection stub is located low down on the rear side of the dishwasher.

- Connect the drain hose using the hose clips supplied.

The connection stub can be turned. The hose can thus be laid to the right or left without needing to loosen the hose clip.

# Installation

## 6. Building in kit



<b>Position</b>	<b>Description</b>	<b>Quantity</b>
1	flat head screws 4 x 15	3
2	top frame strip	1
3	spacer for wall thickness 16 mm	4
4	spacer for wall thickness 19 mm	4
5	side frame strips	2
6	foot holds	2
7	stoppers	2
8	bottom frame strip	1
9	spacer bar	1
10	plinth fascia	1
11	plinth fascia retainer	2
12	rubber rings	2
13	protective sheet	1
14	wood screws 4 x 20	2
15	wood screws 4 x 15	6
16	wood screws 4 x 30 with sleeve	2

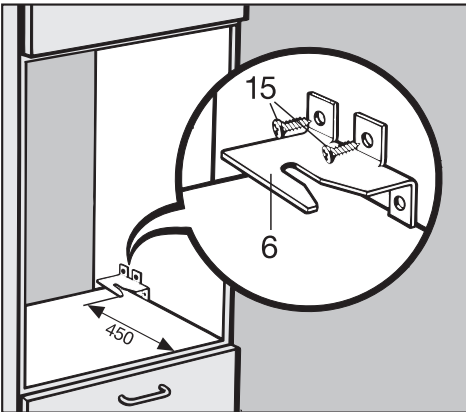
# Installation

## 7. Fitting the building-in frame and installing the dishwasher

### Apply moisture protector

- Seal the cracks between the side walls and the recess floor and any unprotected cut surfaces with the silicon sealant provided.

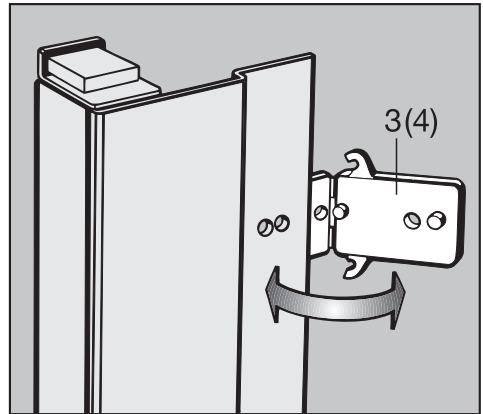
### To screw the foot holds in place.



- Secure the foot holds (6) each with two wood screws 4 x 15 (15) to the side walls of the tall unit recess. The distance from the front edge of the unit to the front edge of the foot holds must measure 450 mm. The bottom bracket lug must rest on the recess floor.

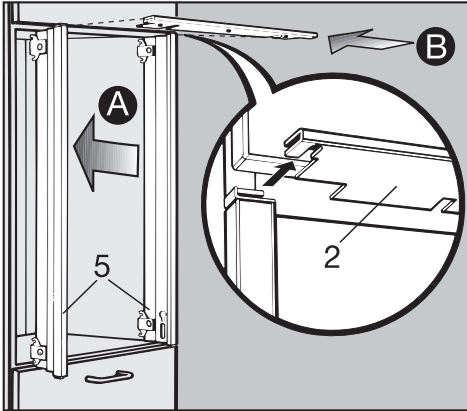
### Fitting the side and top frame strips.

When the recess width measures 562 mm (wall thickness 16 mm) the spacer (3) fitted to the side frame strips should be replaced by the thinner spacers (4) supplied.

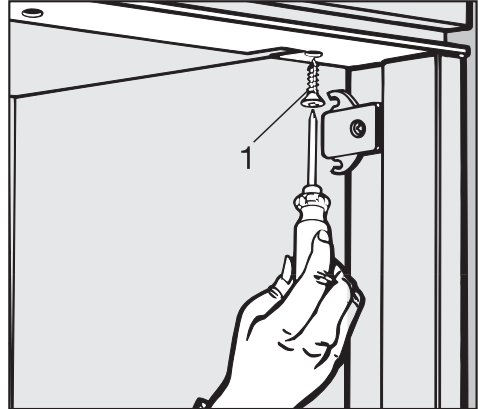


- Flap out spacer (3) and remove.
- Fit spacers (4) and fold in.

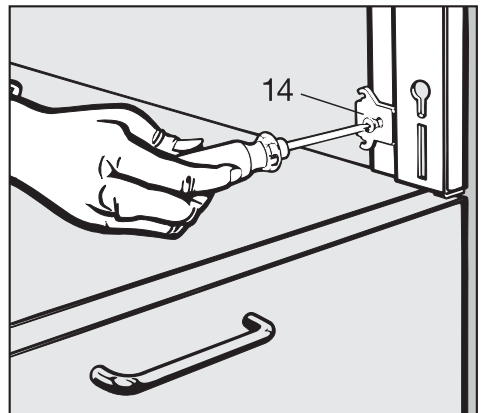




- Put the side frame strips (5) into the unit recess **A**.
- Push the top frame strip (2) into place **B**.



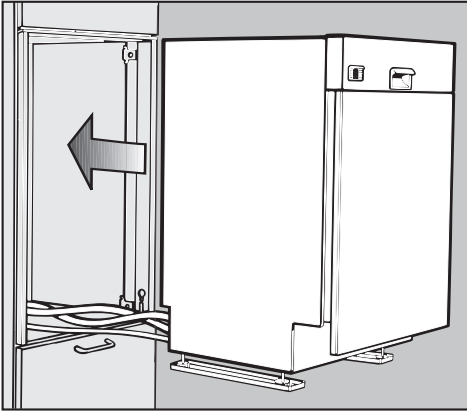
- Screw the top frame strip to the recess ceiling with 4 x 15 (1) flat head screws.



- Screw the side frame strips at the bottom to the side walls with 4 x 20 (14) wood screws.

# Installation

## Fitting the dishwasher into the recess



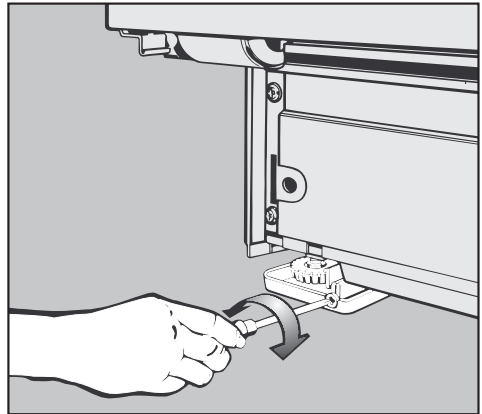
- Lay the hoses and cable into the unit and down through the installation duct.
- Push the dishwasher into the unit recess  
The back feet should rest in the openings of the footholds.

Please note:

Ensure the hoses and cable are not kinked or squashed.

## Adjusting the dishwasher

- Shut the dishwasher door
- Screw the machine feet out until the dishwasher is touching the recess ceiling.

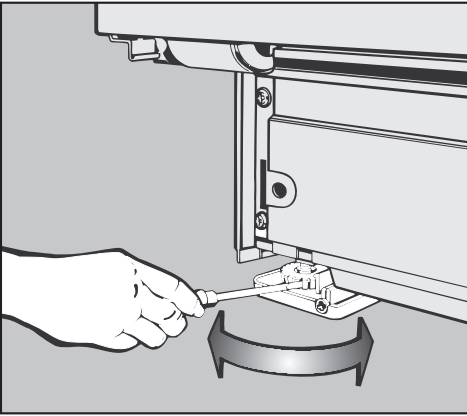


- Screw out the rear feet.

higher = turn clockwise

lower = turn anti-clockwise

Several turns are needed to adjust 1 mm in height.



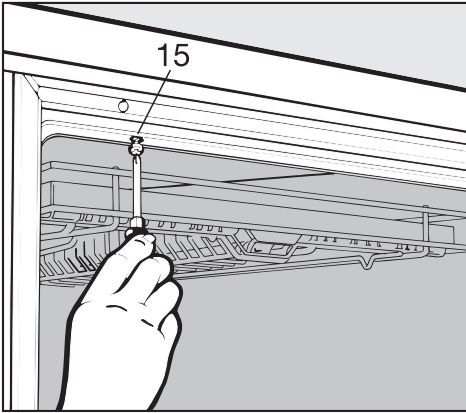
- Adjust the front screw feet manually or with a flat blade screwdriver.
- Align the dishwasher:
  - the gap between the panel front and the side frame strips must match, and
  - the fascia control panel and the panel front must sit flush with the building in frame.

# Installation

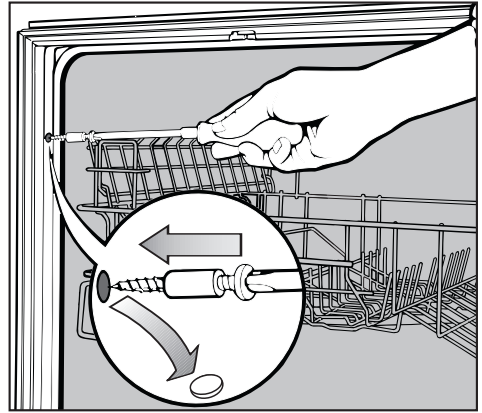
---

## To secure the dishwasher

- Open the dishwasher door.



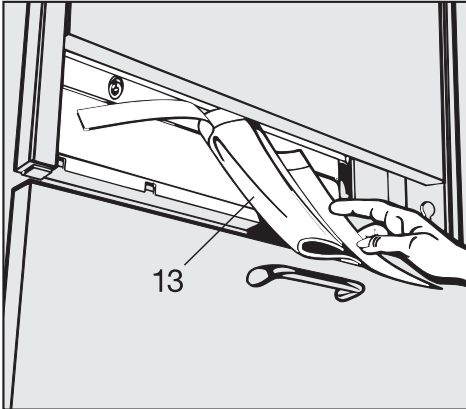
- Screw one of the 4 x 15 (15) screws supplied from below into the holes in the right and left hand side of the upper strip.



- Remove the cover caps from the side openings, left and right.
- Secure the dishwasher on both sides with the 4 x 30 wood screws with sleeves (16).
- Put the cover caps back in the openings. Use the extra ones supplied if necessary.

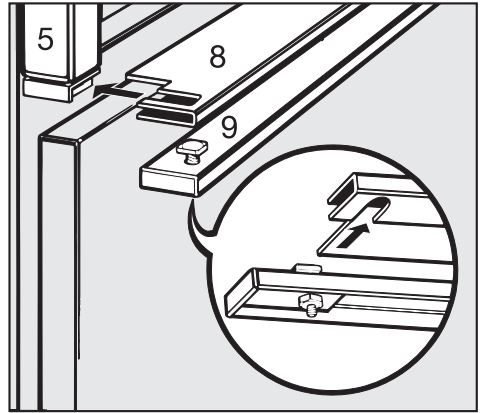
## To fix the protective sheet.

- Remove the backing from the adhesive strip.



- Stick the protective sheet (13) on the plinth along the edge below the screws.

## To fit the bottom frame strip.



Recess height 876 mm:

- Push the bottom frame strip (8) over the lower ends of the side frame strips (5).

Recess height 882 mm:

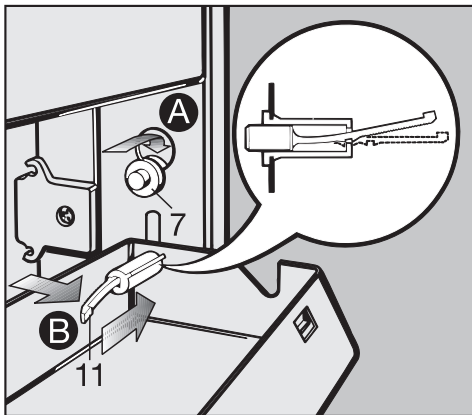
- First push the spacer bar (9) from below onto the bottom frame strip.
- To do this loosen the nuts in the spacer strip push the spacer strip onto the bottom frame strip and tighten the nuts again.
- File off any protruding screw ends.

Recess height larger than 882 mm:

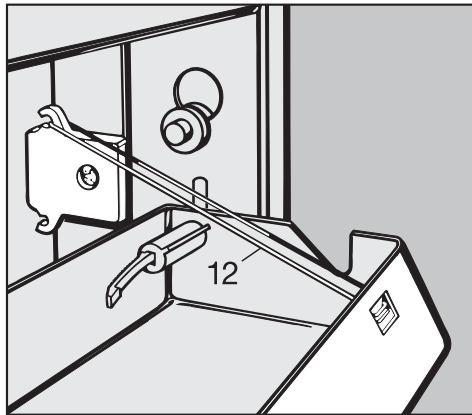
- In this case a package must be put together of spacer bars (special accessory) according to the recess height and pushed under the bottom frame strip.

# Installation

## To fit the plinth facia



- Fit the spring clip (7) into the "Key-holes" in the side frame strips **A**.
- Pull the handle for the plinth facia (11) forward and push outward until it engages **B**.



- Fit the rubber bands (12) over the spacer pieces and into the plinth facia.
- Flap up the plinth facia.

Please follow the installation instructions carefully.

- This dishwasher is supplied ready for connection to an a.c. single phase supply, (230 - 240 V 50 Hz for the UK and Australia). It is supplied with a mains cable and moulded plug.

All electrical work should be carried out by a competent person in accordance with national and local regulations. Connection should be made via a fused plug and suitable switched socket which is easily accessible.

For extra safety it is advisable to install a residual current device (RCD) with a trip current of 30 mA.

- The voltage, rated load and fuse rating are given on the data plate.
- Please ensure that these match the household mains supply.

## Important

The wires in the mains lead are coloured in accordance with the following code:

Green/yellow = earth

Blue = neutral

Brown = live

As the colours of the wires in the mains lead of this appliance may not correspond with the coloured markings identifying the terminals in your plug, proceed as follows:

The wire which is coloured green and yellow must be connected to the terminal in the plug which is marked with the letter E or by the earth symbol  $\perp$  or coloured green or green and yellow.

The wire which is coloured blue must be connected to the terminal which is marked with the letter N or coloured black.

The wire which is coloured brown must be connected to the terminal which is marked with the letter L or coloured red (UK), or marked with the letter A for (AUSTRALIA).

**WARNING  
THIS APPLIANCE MUST  
BE EARTHED**

# Electrical connection

---

## **Non rewirable plugs BS 1363**

If this machine or appliance is fitted with a non-rewirable plug, the following information applies:

If the socket outlets are not suitable for the plug supplied with this product, it must be cut off and an appropriate plug fitted.

The plug cut from the flexible cord should be disposed of and on no account be inserted into a socket elsewhere in the house (electric shock hazard).

The fuse cover must be refitted when changing the fuse, and if the fuse cover is lost, the plug must not be used until a suitable replacement is obtained. The colour of the correct replacement cover is that of the coloured insert in the base of the plug, or the colour that is embossed in words in the base of the plug (as applicable to the design of plug fitted).

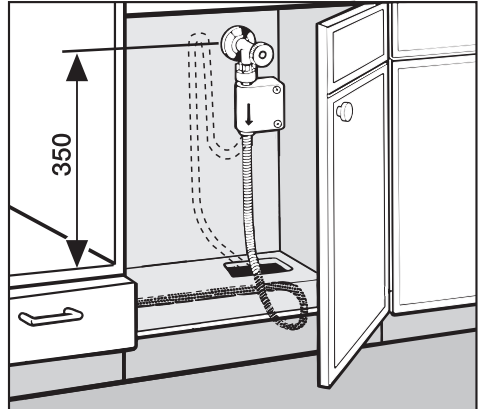
The correct fuse rating of the replacement fuses that are ASTA approved to BS 1362 should be fitted. Replacement fuse covers may be purchased from your local electrical suppliers, or Miele Service Agent.

(The German standard version is supplied with a cable and moulded plug for connection to a 230 V single phase supply. It must only be connected via a fused 16 A socket).



Normally connection to water is sited near the dishwasher, for example in the area under the sink. A Miele sink base unit already has a suitable cut-out for installation. If the base unit and plinth have no cut-out, one must be made, suggested dimensions: 60 x 110 mm.

The same applies to the wall unit in which this dishwasher is to be installed.



## Important:

For the leak protection feature of the “Waterproof system” to work, the water connection must be sited at least 350 mm higher than the base board on which this dishwasher is installed.

If this is not possible, the inlet hose can be laid in a bend or loop. The highest point of this bend or loop must be at least 350 mm above the base board. When the inlet hose is laid in a bend or loop, however, the “Waterproof system” will not provide protection from water damage, should any leakage occur in the “waterproof valve” box.

Site conditions may vary. Please consult the Miele Customer and Technical Services department for further advice.

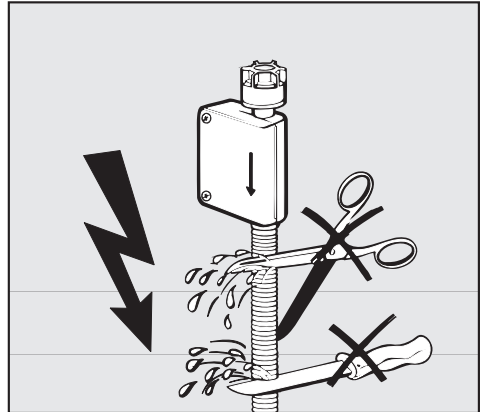
# Plumbing

## Connection to the water inlet

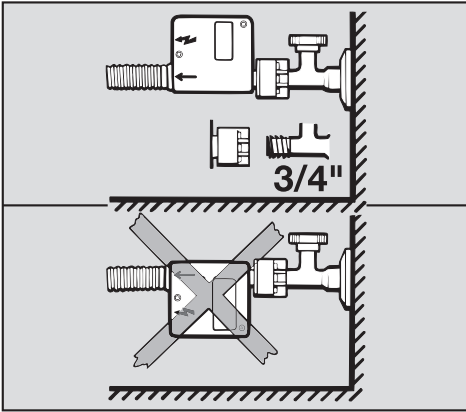
Water in the dishwasher must not be used as drinking water.

The water inlet hose must not be shortened or damaged in any way (see illustration).

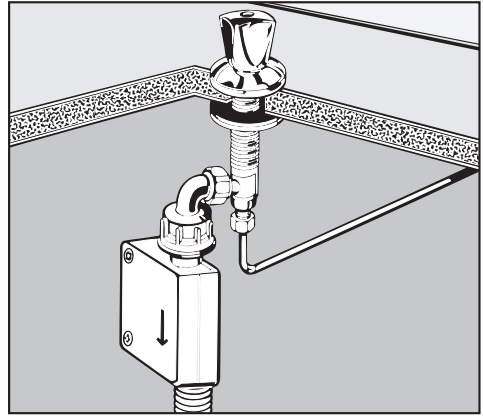
- The dishwasher may be connected to a cold or hot water supply, max. 60 °C.  
Connection to a hot water supply would save energy costs and time. When connected to a hot water supply all programme stages which would otherwise be carried out with cold water (pre-wash and interim rinse) as well as the COLD PRE-WASH will be carried out with hot water.
- The inlet hose is approx. 4.5 m long.
- A stopcock with a 3/4" male thread must be provided on site.
- The dishwasher is constructed to comply with DVGW regulations, and may be connected to a suitable supply without an extra non-return valve provided that national regulations allow this.
- The water pressure (flow rate at the take-off point) must be between 1.0 and 10 bar pressure.  
If the water pressure is too low the water intake time must be increased (see chapter "Checking the water level").  
If the water pressure is too high, a pressure reducer valve must be fitted.



- Connect the inlet hose with the "Waterproof-System" preferably vertically so that the hose exits from the bottom of the "waterproof valve" box (use an angle connector if necessary).



- If this is not possible, it can be installed horizontally, **but it is essential** that the main body of the “Waterproof valve” box is above the hose exit (see illustration). The “lightning” power symbol should be above the water flow “arrow”.



- If the stopcock is situated in the worktop, a special angle connector can be ordered from the Miele Spare Parts Dept. (Part No. 2078910).

# Plumbing

## Drainage

- The machine drainage system is fitted with a non-return valve, which prevents dirty water from flowing back into the machine via the drain hose.
- The dishwasher is supplied with approx. 1.5 m of flexible drain hose with an internal diameter of 22 mm.
- The drain hose can be extended using a connection piece and an extra drain hose, (up to max. 4 metres).
- The connection socket on the dishwasher can be turned. The hose can thus be laid to the right or left without needing to loosen the hose clip.
- Use the two hose clips supplied to fit the drain hose to the dishwasher and to the on-site drainage system.
- The on-site water pipe connection for the drain hose may be designed to fit more than one diameter of hose. The connection socket must be shortened if it juts too far into the drain hose. Otherwise the drain hose can become blocked.
- The drain system must not exceed 4 metres. The drain pump has a maximum delivery head of 1 metre.
- The drain hose must not be shortened.

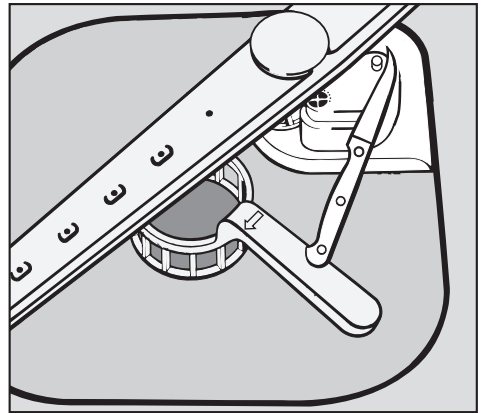
## Venting the drainage system

- Open the dishwasher door fully.

If the site drain connection is situated lower than the guide path for the bottom basket rollers in the open door the drainage system must be vented.

Otherwise a siphoning effect during a programme can cause the machine to empty itself of water.

To vent:



- Cut off the top of the vent valve in the wash cabinet.

## Technical Data

---

Height	84.5 cm (adjustable + 5.0 cm)
Width	54.7 cm
Depth	57 cm
Depth with door open	120.5 cm
Height of recess for building-in	87.6 - 89.5 cm
Width of recess for building-in	56.2 - 56.8 cm
Weight	approx. 53 kg
Voltage	} see data plate
Rated load	
Fuse rating	
Test marks	VDE, Radio and Television suppressed
Water pressure (flow rate)	1.0 - 10 bar pressure
Hot water connection	max. 60 °C
Delivery head	max. 1 m
Drainage length	max. 4 m
Connection cable	approx. 2.65 m
Capacity	12 place settings





# Miele

United Kingdom

Miele Co. Ltd., Fairacres, Marcham Road, Abingdon, Oxon, OX14 1TW

tel. Abingdon (01235) 554455 - fax (01235) 554477

Service Office, tel. Abingdon (01235) 554466