

- **Manual de instrucciones.**
- **Manual de instruções**
- **Mode d'emploi.**
- **Operating instructions.**
- **Bedienungsanleitung.**
- **Manuale di istruzioni**



FAGOR 

CONTENTS

	Page
1. SAFETY INFORMATION AND GENERAL INSTRUCTIONS...	2
2. DESCRIPTION OF THE REFRIGERATOR.	3
3. INSTALLATION.	4
4. OPERATION AND USE OF THE REFRIGERATOR FOR DUAL ADJUSTMENT MODELS.....	7
5. OPERATION AND USE OF THE REFRIGERATOR FOR SINGLE ADJUSTMENT MODELS.....	9
6. CORRECT USE OF THE APPLIANCE	11
7. CLEANING AND MAINTENANCE.	13
8. NORMAL REFRIGERATOR NOISES.	14
9. TROUBLESHOOTING.	15
10. TECHNICAL SERVICE CALLS.	17
11. SPECIFICATIONS.	17

Please read these instructions carefully before use. Keep this manual for future reference

1. SAFETY INFORMATION AND GENERAL INSTRUCTIONS

RECYCLING:



OLD REFRIGERATOR:

- ⇒ To prevent environmental damage, use the municipal collection service for disposal.
- ⇒ Make sure that the refrigeration circuit is not damaged: it may contain substances which could affect the environment.
- ⇒ Make the refrigerator unusable:
 1. Cut off supply cable.
 2. If possible remove the doors: leave the racks in place to prevent children from getting in easily.



PACKING:

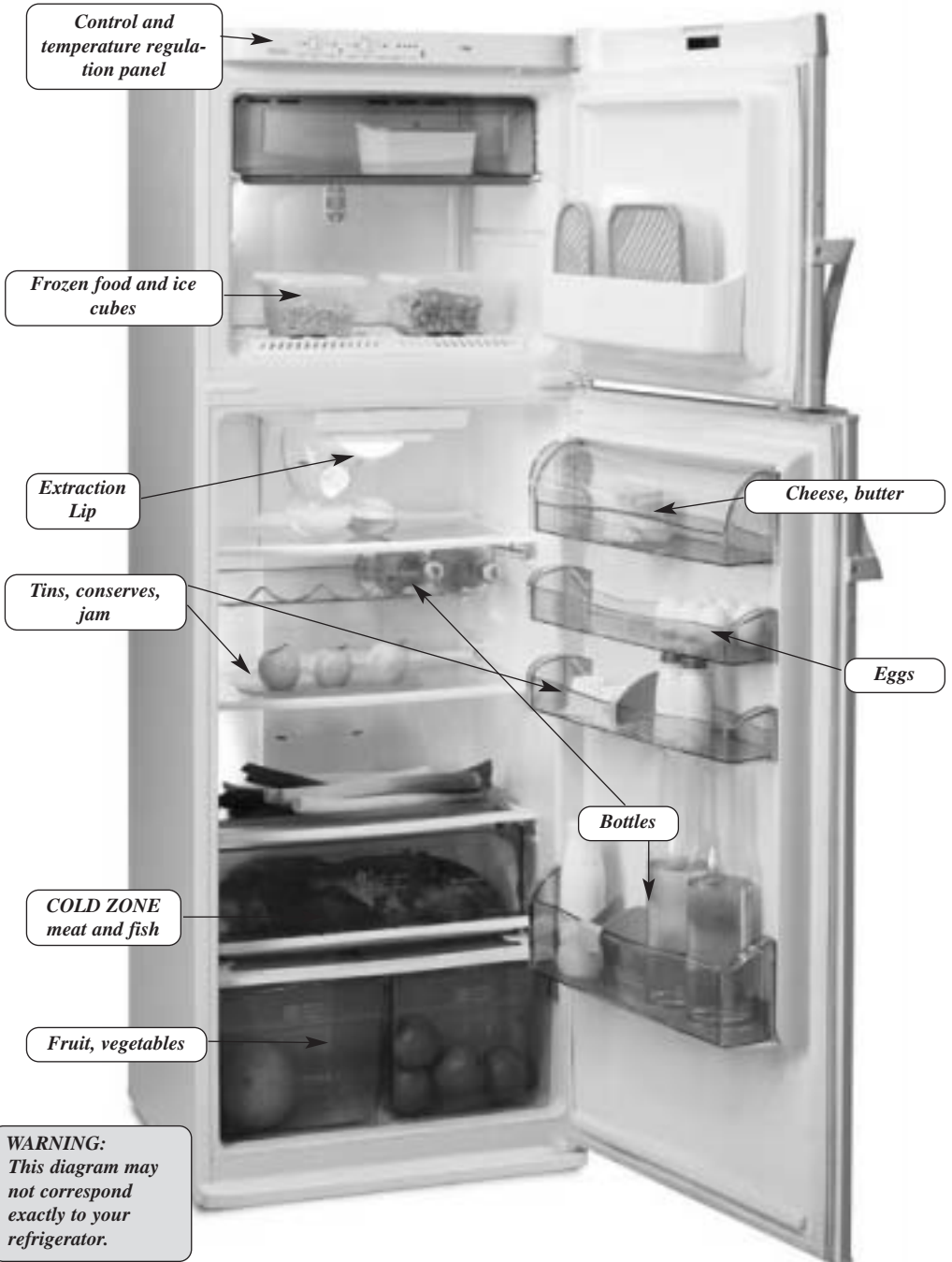
- ⇒ The packing materials used are completely recyclable, (Cardboard, PE bubble wrap, EPS...).
- ⇒ **WARNING:** Keep packing materials out of the reach of children: these materials are potentially hazardous.
- ⇒ With disposal, observe local standards of treatment of this type of waste.



FEATURES OF THE REFRIGERATOR:

- ⇒ This refrigerator includes a four star (* ***) freezer compartment enabling you to freeze food.
- ⇒ This refrigerator will operate correctly between the following temperatures:
 - Dual regulation models: between 10°C and 43°C
 - Single regulation models: between 10°C and 43°C

2. DESCRIPTION OF THE REFRIGERATOR



SAFETY:



- ⇨ This model refrigerator is commercialised with R600a coolant. Points to note:
 - This coolant does not affect the environment.
 - It is inflammable, so the cooling circuit must be in perfect condition. If damaged in any way, consult your distributor before switching on.
- ⇨ This refrigerator must be repaired only by the technical assistance service, using original spares.
- ⇨ Do not use flame-producing equipment or electrical apparatus inside the refrigerator.
- ⇨ Do not allow children to play with the refrigerator.
- ⇨ Do not introduce volatile liquids or inflammable products.
- ⇨ Do not allow the lead to come in contact with the compressor.
- ⇨ Make sure that the lead is not trapped under the appliance.

3. INSTALLATION

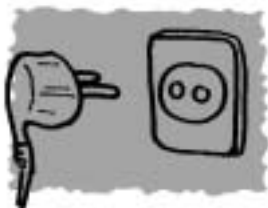
LOCATION:



- ⇨ Ensure that the refrigerator is located away from heat sources (stoves, radiators, etc.) and protected from direct sunlight, which increases consumption.
- ⇨ Allow air flow around the rear of the refrigerator. Do not cover the space between the skirting board and floor or the top of the refrigerator with any object.
- ⇨ The refrigerator must not be installed outdoors, or exposed to rain.
- ⇨ To ensure better energy efficiency, a 20 mm space is recommended between the back of the refrigerator and the wall.
- ⇨ On certain occasions, relative humidity and room temperature may generate condensation on the inside and outside of the refrigerator.

To avoid vibrations and noise, ensure that the refrigerator is stable and level.

ELECTRICAL CONNECTION:



- ⇨ Plug specifications: 220-240V with earth.
- ⇨ Do not use adaptors or extension cables.
- ⇨ Ensure that the cable is not in contact with the motor.
- ⇨ Ensure that the cable is not caught under the refrigerator.

CHANGING THE DOOR-OPENING DIRECTION: ***on refrigerators with an external top hinge***

TOOLS REQUIRED:

- ⇒ Philips or crosshead screwdriver and flat screwdriver.

OPERACIONES QUE DEBE REALIZAR:

1. Unplug the refrigerator and take everything from the compartment.
2. Remove the top hinge screw cover.
3. Loosen the top hinge screws.
4. Take the door off with an upward movement.
5. Remove the cover of the central hinge screws, and loosen the two screws holding it in place.
6. After removing the screws, move the refrigerator door upwards to release it.
7. If the refrigerator has a plinth, loosen the central screw holding it in place and remove the plinth by pulling it back and turning it downwards.
8. Loosen the screws on the bottom hinge and remove the hinge.
9. Remove the bottom hinge shaft and fit it to the opposite side, together with its washers. Then fit the hinge to the opposite side of the refrigerator.
10. Next mount the plinth in its position, turning it beforehand so that the adjustment coincides with the hinge.
11. If the door has side handles, change them to the opposite side. The door handles should be changed depending on their model: the freezer door handle should be fitted to the refrigerator door and vice versa.
12. If your refrigerator has self-closing devices on the central hinge area of the doors, remove them, turn them and place them on the opposite door and on the opposite side. The fixing points for the screws will be lightly marked in the door turning axis area.



13. Cover the holes left visible on the door after the self-closing devices have been changed to the other side, using the caps in the refrigerator documentation bag. Any flash caused by the screws should firstly be removed.
14. Remove the cover on the side of the refrigerator top and fit it to the other side.
15. Reverse this procedure to refit the doors.

CHANGING THE DOOR-OPENING DIRECTION:

On refrigerators with concealed top hinge

TOOLS REQUIRED:

- ⇒ Philips or crosshead screwdriver and flat screwdriver.

PROCEDURE:

1. Unplug the refrigerator and remove all contents from the inside of the door.
2. If the refrigerator has a plinth, loosen the central screw holding it in place and remove the plinth by pulling it back and turning it downwards.
3. Loosen the screws on the bottom hinge and remove the hinge.
Make sure the washers are not lost.
4. Remove the door from the refrigerator.
5. Remove the bottom hinge shaft and fit it to the opposite side, together with its washers.
6. Remove the central hinge screw covers and remove the screws holding it in place.
7. Remove the freezer door.
8. Remove the top hinge shaft and fit it to the opposite side. Make sure the upper washer is not lost.
9. If the door has side handles, change them to the opposite side. The door handles should be changed depending on their model: the freezer door handle should be fitted to the refrigerator door and vice versa.



10. If your refrigerator has self-closing devices on the central hinge area of the doors, remove them, turn them and place them on the opposite door and on the opposite side. The fixing points for the screws will be lightly marked in the door turning axis area.



11. Cover the holes left visible on the door after the self-closing devices have been changed to the other side, using the caps in the refrigerator documentation bag. Any flash caused by the screws should firstly be removed.

12. Proceed to mount the doors following the disassembly procedure but in reverse order.

BEFORE SWITCHING THE REFRIGERATOR ON:

- ⇒ Clean the inside with warm water and bicarbonate of soda. Rinse and dry carefully.
- ⇒ Wait for 2 hours before starting, to ensure that the motor lubricants have stabilised.
- ⇒ If the refrigerator has been switched off, wait 4 hours after restarting before placing food inside.

4. REFRIGERATOR OPERATION AND USE FOR DUAL ADJUSTMENT MODELS

TEMPERATURE REGULATION:



- ⇒ In normal conditions, the recommended approximate temperature is 4°C in the refrigerator and about -19°C in the freezer.
- ⇒ To regulate the temperature, use the temperature selection controls: temperatures are indicated in °C.

WARNING: *The inside refrigerator temperature depends on:*

- *Room temperature.*
- *The location of the refrigerator.*
- *Door-opening frequency*

"Cold level" ⇨ The number of lights on indicate freezer cold level. The more lights on, the colder the freezer.

"Holiday Function" ⇨ Used when you want the freezer to work normally and the refrigerator to be switched off when you do not plan to use it for a long period of time, such as, for example, during the holiday period. Before enabling this option, empty the refrigerator, clean it and **close the door**. Then activate this function to ensure that your refrigerator is maintained in optimum conditions to avoid generating unpleasant odours. When you come back from your holidays, simply deactivate the function and the temperature in the refrigerator will drop once again to pre-selected level.

5. REFRIGERATOR OPERATION AND USE FOR SINGLE ADJUSTMENT MODELS

TEMPERATURE REGULATION:

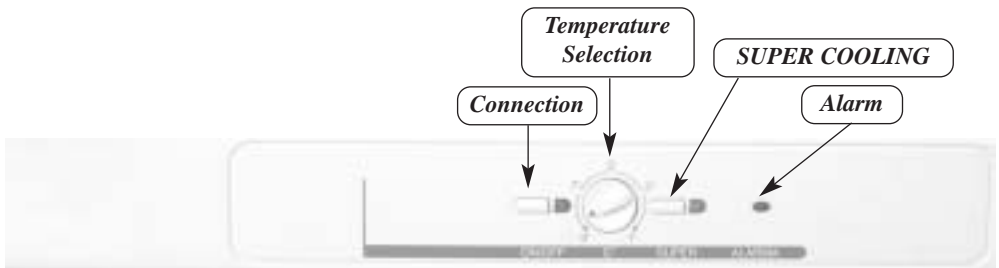


- ⇨ In normal conditions we recommend selecting a temperature of about 4°C.
- ⇨ To set the temperature, use the temperature selector control; the numerical values are in °C.

WARNING: *The inside refrigerator temperature depends on:*

- *Room temperature.*
- *The location of the refrigerator.*
- *Door-opening frequency*

CONTROL PANEL



FUNCTIONS

"Temperature Selection" ⇨ Turn the control to select the refrigerator temperature in °C.

"Connection " ⇨ This is for switching the refrigerator on and off. It has an ON light.

"SUPER COOLING" ⇨ With this function running, the refrigerator temperature is regulated automatically to maximum cold for six hours. It switches off automatically but can also be turned off automatically before the 6 hours is up.

"Door open alarm" ⇨ If either of the doors remain open for over 2 minutes, an alarm will sound periodically. This alarm will switch off when the doors are closed.

HOW TO OPTIMISE FREEZER TEMPERATURES

⇨ To achieve maximum freezer performance, the refrigerator is equipped with a freezer temperature optimizer, located in the top part of the refrigerator.

⇨ If the optimizer control is placed in the right part:

- This is sufficient for normal functioning situations.

⇨ If the optimizer control is placed in the left part:

- Maximum cold is directed to the freezer during the freezing process.

- Sufficient temperatures are reached in the freezer when the ambient temperature of the room in which the appliance is installed is relatively low (below 16°C).



""FREEZING"" - Place the optimizer control in the left part. The freezer temperature will then go to its coldest level. This makes freezing food easier and it is recommendable to do this 24 hours beforehand if a large amount of food is to be placed in the freezer.

24 hours after the food has been placed in the freezer, place the optimizer control in the right part of the refrigerator again.

6. CORRECT USE OF THE APPLIANCE

REFRIGERATOR

- ⇨ Leave enough space between food items to let air to flow around them.
- ⇨ Do not leave the door open longer than necessary.
- ⇨ Do not put hot food in the refrigerator.
- ⇨ Do not obstruct the ventilation grilles.
- ⇨ To prevent foodstuffs stored from drying out, we recommend that you place them in an airtight container or wrapped them in aluminium foil or plastic food wrap.



MULTIFRESH SYSTEM

If your refrigerator has a Multifresh compartment:

- ⇨ This guarantees *ideal conservation* of fresh food such as meat and fish, and also vegetables, allowing these items to be conserved for longer periods of time without having to freeze them.
- ⇨ This area has the *coldest temperatures* in the refrigerator and is also the area least affected by frequent opening.
- ⇨ For *meat and fish*, an intermediate refrigerator temperature is recommended.
- ⇨ For *greater capacity* in the refrigerator, remove the top rack and cover, and store directly on the tray. This area loses the benefits outlined above.



CONTINUOUS FUNCTIONING

In case of very demanding conditions of use with high temperatures and high ambient humidity, the refrigerator is designed to enable continuous functioning.

FREEZER:

- ⇒ The amount of food to be frozen at once must not exceed the freezing power indicated on the specifications plate.
- ⇒ Ensure that your food to be frozen is in good conditions.
- ⇒ Observe the best-by date.
- ⇒ To prevent the food from drying out, wrap it in aluminium foil or plastic film.
- ⇒ Do not put food to be frozen in contact with food already frozen.
- ⇒ Never refreeze thawed food.
- ⇒ Freeze in daily servings.
- ⇒ Do not store bottles with carbonated drinks or glass bottles containing liquids in the freezer. They may burst.
- ⇒ Do not eat very cold ice-cream or food: this may burn the mouth.
- ⇒ Label the wrapping, indicating the content and the freezing date.
- ⇒ To improve the refrigerator's ***energetic performance***, it is recommended to keep the ice cube trays full at all times.

ICE-MAKING:



- ⇒ Fill the trays in the freezer up to three quarters, with water.
- ⇒ Place the trays in the freezer.
- ⇒ Once the water has frozen, the cubes can be removed by twisting the tray slightly.

DEFROSTING THE REFRIGERATOR AND FREEZER.

- ⇒ No-Frost refrigerators do not generate layers of frost or ice, which means that no operations are required for their elimination.

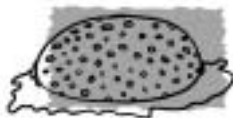
DEFROSTING FOOD

Not all food should be defrosted in the same way

- ⇒ If you have bought frozen food, follow the instructions on the pack.
- ⇒ Vegetables should be cooked directly.
- ⇒ In general, prepared or pre-cooked foods can be cooked directly.
- ⇒ Meat and fish must be defrosted slowly in the refrigerator over several hours. If you have a microwave, this can speed this considerably.

7. CLEANING AND MAINTENANCE

CLEANING:



- ⇒ Before starting cleaning, switch the refrigerator off using the switches.
- ⇒ Clean the interior with water or bicarbonate of soda, with the help of a sponge or cloth: this will prevent the formation of odours.
- ⇒ Never use steam cleaning machines, solvents or abrasive detergents, which may damage the inside of your refrigerator. Do not place the inside fittings in the dishwasher.
- ⇒ It is recommended that the rear grill be cleaned once year using a vacuum cleaner: if it is dusty and dirty, that reduces the refrigerator's performance and increases its consumption.

CHANGING THE LIGHT BULB



- ⇒ Switch off the refrigerator using the ON/OFF button on the control panel.
- ⇒ Remove the light reflector cover by pressing the inner tab.
- ⇒ Remove the old light bulb and replace it with another of the same type, E14 thread, 220-240 V and max. 15 W.
- ⇒ Start the refrigerator up again using the ON/OFF button.

WHAT TO DO IN CASE OF A POWER OUTAGE:



- ⇒ If possible, do not open the refrigerator doors.
- ⇒ When power is restored, check to see if the food has unfrozen.
- ⇒ Consume any defrosted food immediately. Do not re-freeze!

WHAT TO DO IF THE REFRIGERATOR IS NOT TO BE USED FOR A LONG PERIOD OF TIME:

- ⇒ Empty the refrigerator.
- ⇒ Unplug and clean the unit as described above, and turn the light off at the switch.
- ⇒ If you have a "Dual adjustment" refrigerator, it will be equipped with a holiday function.
- ⇒ **Vacation function:** If your refrigerator is not going to be used for a long period but you wish to keep food frozen in the freezer, you can turn the refrigerator section off and leave it closed: the appliance will continue to function with very low consumption, without causing odours inside.

8. NORMAL REFRIGERATOR NOISE



- ⇒ The refrigerating gas may produce bubbling sounds as it flows through the circuits.
 - ⇒ The compressor may buzz and/or produce slight knocking, which may be more marked on starting.
 - ⇒ Cracking sounds produced by expansion and contraction of the materials used.
- ⇒ The insulation used amplifies sound levels.
 - You may hear a gentle murmur when your refrigerator is switched on. This is due to the working of a fan incorporated to ensure adequate air circulation inside the appliance.
 - ⇒ In the freezers of No-Frost refrigerators, the effect will be noted of the ventilator running to cool and to eliminate frost.

9. TROUBLESHOOTING

PROBLEM	CAUSE	SOLUTION
The refrigerator does not operate	<ul style="list-style-type: none"> • It is not plugged in. • There is no electrical current to the plug because the fuse has blown or the automatic power limiter has activated. • The connection controls are not on. 	<ul style="list-style-type: none"> • Plug in. • Change the fuse or reset the automatic power limiter. • Switch the controls on.
The refrigerator vibrates.	<ul style="list-style-type: none"> • The refrigerator is incorrectly levelled. 	<ul style="list-style-type: none"> • Level it, with the leveller bases.
The refrigerator or freezer is not very cold	<ul style="list-style-type: none"> • Temperature selection is set too hot. • The door is not properly closed or is opened very frequently. • The space between the skirting board and floor or the top of the refrigerator has been covered. • The refrigerator is exposed to direct sunlight or a heat source. • A large amount of food has been introduced. • In No-Frost refrigerators, there is something obstructing the ventilation grilles 	<ul style="list-style-type: none"> • Set temperature selection to maximum cold. • Ensure that the door does not remain open too long. • Keep these areas free as described in the "Installation" section in this manual. • Relocate the refrigerator or protect it from these heat sources. • Consult the section on "operation and use of the refrigerator". • Remove any obstacles blocking the air outlet of the ventilation grilles.
The motor runs permanently.	<ul style="list-style-type: none"> • The doors are not properly closed. • The doors are opened often. • The food was introduced recently. • Temperature selection in cold position. 	<ul style="list-style-type: none"> • Close the door properly. • Avoid opening the door frequently. • Wait for the appliance to return to normal. • Set the temperature switch to less cold.

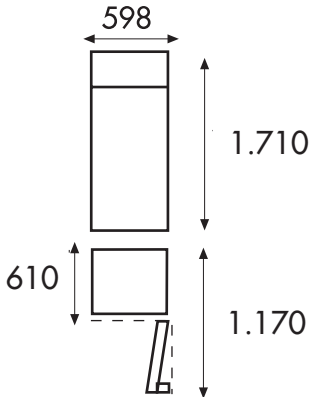
PROBLEM	CAUSE	SOLUTION
The door does not close.	<ul style="list-style-type: none"> • The refrigerator is not correctly levelled. • The door was closed violently. • It is prevented from closing by a product inside. 	<ul style="list-style-type: none"> • Level the refrigerator correctly. • Close the doors gently. • Put this product in a suitable place.
A lot of ice at the front of the freezer drawers.	<ul style="list-style-type: none"> • The door is open. • The door has been opened often. 	<ul style="list-style-type: none"> • Check to see if food is preventing the door from being closed. • Ensure that the door does not remain open for too long.
Odour in the refrigerator.	<ul style="list-style-type: none"> • Some food is transmitting odours to the refrigerator. 	<ul style="list-style-type: none"> • Wrap the food or cover it correctly, or replace the hygienizer in models which have this function.
The food dries out.	<ul style="list-style-type: none"> • The food is not properly wrapped. 	<ul style="list-style-type: none"> • Wrap the food or cover it correctly.
The refrigerator light does not come on.	<ul style="list-style-type: none"> • The light is loose. • It has blown. • The plug is not connected to the power takeoff. • There is no electrical current to the plug because the fuse has blown or the automatic power limiter has activated. • The light switch is off. 	<ul style="list-style-type: none"> • Screw it in properly. • Change the light as explained in the manual. • Plug in. • Change the fuse or reset the automatic power limiter. • Set the switch so that the red point is visible.

10. TECHNICAL SERVICE CALLS



- ⇒ Read the manual carefully and, if you are unable to resolve the problem, call the technical assistance service.
- ⇒ The address and telephone number closest to your address appear in the index of official technical service offices we supply with the refrigerator, or in your city telephone directory.
- ⇒ To facilitate the work of the technical assistance service, please provide them with the following details.
 - The refrigerator model.
 - The refrigerator reference.
 - Date of purchase.
 - A description of the problem.
 - Your home address and telephone number.

11. SPECIFICATIONS



***THESE UNITS COMPLY WITH
EEC DIRECTIVES 73/23, 93/68, 89/336,
92/75, 96/57***