

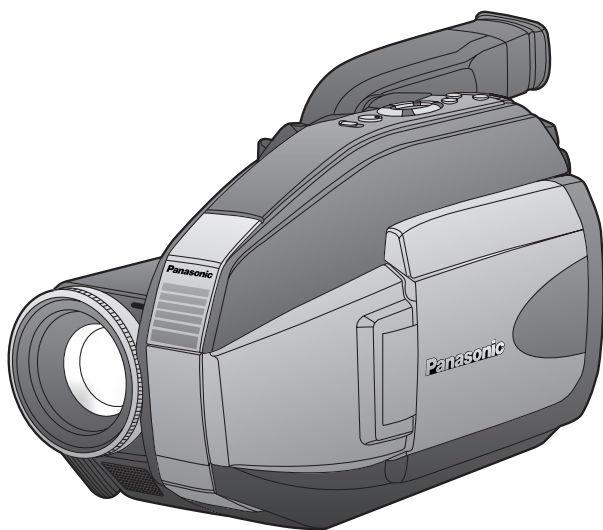
Palmcorder® Camcorder

Panasonic®



Camcorder
Operating Instructions

Model No. **PV-L552H**



Please read these instructions carefully before attempting to operate this product.
Please save this manual.

For assistance, please call : 1-800-211-PANA(7262) or send e-mail to : consumerproducts@panasonic.com

LSQT0708A

Getting Started

Basic Operation

Special Features

For Your Information

Things You Should Know

Thank you for choosing Panasonic!

You have purchased one of the most sophisticated and reliable products on the market today. Used properly, it will bring you years of enjoyment. Please take time to fill in the information to the right.

The serial number is on the tag located on the rear side of your Camcorder. Be sure to **retain this manual** as your convenient Camcorder information source.

Date of Purchase

Dealer Purchased From

Dealer Address

Dealer Phone No.

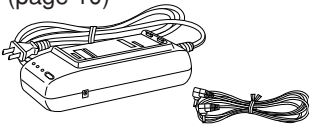
Model No.

Serial No.

Unpack your Camcorder

These accessories are provided in order to set up or use your Camcorder.

1 pc. AC Adaptor (PV-A20)
with DC Power Cable
(page 10)



1 pc. Audio/Video Cable
(LSJA0390) (pages 21, 22)



1 pc. Battery Pack
(PV-BP18) (pages 9, 10)



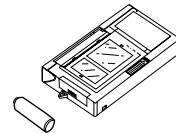
1 pc. Shoulder Strap
(LSFC0012) (page 12)



1 pc. CR2025 Clock Battery
(VSBW0004)
(installed in Camcorder)
(page 34)



1 pc. VHS PlayPak
(PV-P1/VYMW0009) and
one "AA" battery (page 21)



1 pc. Lens Cap (LSYK0817)
with Lens Cap Strap
(LSGQ0049) (page 12)



Things You Should Know

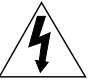



Safety Precautions

WARNING : TO PREVENT FIRE OR SHOCK HAZARD, DO NOT EXPOSE THIS EQUIPMENT TO RAIN OR MOISTURE.

Your Compact VHS Camcorder is designed to record and play back in Standard Play (SP) and Super Long Play (SLP) modes. You can also play a Compact VHS Camcorder recording on your VHS VCR using the supplied VHS PlayPak.

This Camcorder is equipped with the **HQ** System to provide excellent video pictures, and is compatible with standard VHS equipment.

It is recommended that only cassette tapes that have been tested and inspected for use in VCR machines with the **VHS-C** and/or **VHS** mark be used.

	CAUTION RISK OF ELECTRIC SHOCK DO NOT OPEN			This symbol warns the user that uninsulated voltage within the unit may have sufficient magnitude to cause electric shock. Therefore, it is dangerous to make any kind of contact with any inside part of this unit.
CAUTION: TO REDUCE THE RISK OF ELECTRIC SHOCK, DO NOT REMOVE COVER (OR BACK) NO USER-SERVICEABLE PARTS INSIDE REFER SERVICING TO QUALIFIED SERVICE PERSONNEL				This symbol alerts the user that important literature concerning the operation and maintenance of this unit has been included. Therefore, it should be read carefully in order to avoid any problems.

The above markings are located on the appliance's bottom cover.

FCC Warning: Any unauthorized changes or modifications to this equipment would void the user's authority to operate.

This device complies with Part 15 of the FCC Rules. Operation is subject to the following two conditions: (1) This device may not cause harmful interference, and (2) this device must accept any interference received, including interference that may cause undesired operation.

Note: This equipment has been tested and found to comply with Part 15 and part 18 of the FCC Rules. These limits are designed to provide reasonable protection against harmful interference when operated in a residential environment.

If this equipment does cause interference to radio or television reception, which can be determined by turning the equipment off and on, use the equipment in another location and/or utilize an electrical outlet different from that used by the receiver.

If necessary, consult the dealer or an experienced radio/TV technician for help. You may find the booklet, 'Something About Interference' available from FCC local regional offices helpful.

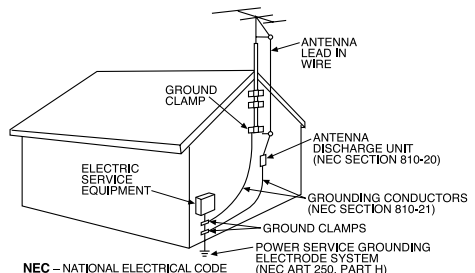
This product may cause interference to radio equipment and should not be installed near maritime safety communications equipment or other critical navigation or communication equipment operating between 0.45-30 MHz.

Important Safeguards

- 1. Read Instructions** – All the safety and operating instructions should be read before the unit is operated.
- 2. Retain Instructions** – The safety and operating instructions should be retained for future reference.
- 3. Heed Warnings** – All warnings on the unit and in the operating instructions should be adhered to.
- 4. Follow Instructions** – All operating and maintenance instructions should be followed.
- 5. Cleaning** – Unplug this video unit from the wall outlet before cleaning. Do not use liquid or aerosol cleaners. Use a dry cloth for cleaning.
- 6. Attachments** – Do not use attachments not recommended by the video product manufacturer as they may be hazardous.
- 7. Water and Moisture** – Do not use this video unit near water – for example near a bath tub, wash bowl, kitchen sink, or laundry tub, in a wet basement, or near a swimming pool, and the like.
- 8. Accessories** – Do not place this video unit on an unstable cart, stand, tripod, bracket, or table. The video unit may fall, causing serious injury to a child or adult, and serious damage to the unit. Use only with a cart, stand, tripod, bracket, or table recommended by the manufacturer, or sold with the video unit. Any mounting of the unit should follow the manufacturer's instructions and should use a mounting accessory recommended by the manufacturer. An appliance and cart combination should be moved with care. Quick stops, excessive force, and uneven surfaces may cause the appliance and cart combination to overturn.
- 9. Ventilation** – Slots and openings in the cabinet are provided for ventilation and to ensure reliable operation of the video unit and to protect it from overheating. These openings must not be blocked or covered. Never place the video unit on a bed, sofa, rug, or other similar surface, or near or over a radiator or heat register. This video unit should not be placed in a built-in installation such as a bookcase or rack unless proper ventilation is provided or the manufacturer's instructions have been adhered to.
- 10. Power Sources** – This video unit should be operated only from the type of power source indicated on the marking label. If you are not sure of the type of power supply to your home, consult your appliance dealer or local power company. For video units intended to be operated from battery power, or other sources, refer to the operating instructions.



- 11. Grounding or Polarization** – This video unit may be equipped with either a polarized 2-wire AC (Alternating Current) line plug (a plug having one blade wider than the other) or 3-wire grounding type plug, a plug having a third (grounding) pin.
The 2-wire polarized plug will fit into the power outlet only one way. This is a safety feature. If you are unable to insert the plug fully into the outlet, try reversing the plug. If the plug still fails to fit, contact your electrician to replace your obsolete outlet.
Do not defeat the safety purpose of the polarized plug.
The 3-wire grounding type plug will fit into a grounding type power outlet. This is a safety feature. If you are unable to insert the plug into the outlet, contact your electrician to replace your obsolete outlet. Do not defeat the safety purpose of the grounding type plug.
- 12. Power-Cord Protection** – Power-supply cords should be routed so that they are not likely to be walked on or pinched by items placed upon or against them. Paying particular attention to cords of plugs, convenience receptacles, and the point where they exit from the unit.
- 13. Outdoor Antenna Grounding** – If an outside antenna or cable system is connected to the video unit, be sure the antenna or cable system is grounded so as to provide some protection against voltage surges and built-up static charges. Part 1 of the Canadian Electrical Code, in USA Section 810 of the National Electrical Code, provides information with respect to proper grounding of the mast and supporting structure, grounding of the lead-in wire to an antenna discharge unit, size of grounding conductors, location of antenna discharge unit, connection to grounding electrodes, and requirements for the grounding electrode.



- 14. Lightning** – For added protection of this video unit receiver during a lightning storm, or when it is left unattended and unused for long periods of time, unplug it from the wall outlet and disconnect the antenna or cable system. This will prevent damage to the video unit due to lightning and power-line surges.

Important Safeguards

15. **Power Lines** – An outside antenna system should not be located in the vicinity of overhead power lines or other electric light or power circuits, or where it can fall into such power lines or circuits. When installing an outside antenna system, extreme care should be taken to keep from touching such power lines or circuits as contact with them might be fatal.
16. **Overloading** – Do not overload wall outlets and extension cords as this can result in a risk of fire or electric shock.
17. **Objects and Liquids** – Never push objects of any kind into this video unit through openings as they may touch dangerous voltage points or short out parts that could result in a fire or electric shock. Never spill liquid of any kind onto the video unit.
18. **Servicing** – Do not attempt to service this video unit yourself as opening or removing covers may expose you to dangerous voltage or other hazards. Refer all servicing to qualified service personnel.
19. **Damage Requiring Service** – Unplug this video unit from the wall outlet and refer servicing to qualified service personnel under the following conditions:
 - a. When the power-supply cord or plug is damaged.
 - b. If any liquid has been spilled into, or objects have fallen onto, the video unit.
 - c. If the video unit has been exposed to rain or water.
 - d. If the video unit does not operate normally by following the operating instructions. Adjust only those controls that are covered by the operating instructions, as an improper adjustment of other controls may result in damage and will often require extensive work by a qualified technician to restore the video unit to its normal operation.
 - e. If the video unit has been dropped or the cabinet has been damaged.
 - f. When the video unit exhibits a distinct change in performance – this indicates a need for service.
20. **Replacement Parts** – When replacement parts are required, be sure the service technician has used replacement parts specified by the manufacturer or have the same characteristics as the original part. Unauthorized substitutions may result in fire, electric shock or other hazards.
21. **Safety Check** – Upon completion of any service or repairs to this video unit, ask the service technician to perform safety checks to determine that the video unit is in safe operating order.

Precautions

USE & LOCATION

- **TO AVOID SHOCK HAZARD ...** Your Camcorder and power supply should not be exposed to rain or moisture. Do not connect the power supply or operate your Camcorder if it gets wet. Your Camcorder has been designed for outdoor use, however it is not designed to sustain direct exposure to water, rain, sleet, snow, sand, dust, or a direct splashing from a pool or even a cup of coffee. This action could permanently damage the internal parts of your Camcorder. Do not attempt to disassemble this unit. There are no user serviceable parts inside. Unplug your Camcorder from the power supply before cleaning.
- **DO NOT AIM YOUR CAMCORDER AT THE SUN OR OTHER BRIGHT OBJECTS.**
- **DO NOT LEAVE THE CAMCORDER WITH THE EVF AIMED DIRECTLY AT THE SUN AS THIS MAY CAUSE DAMAGE TO THE INTERNAL PARTS OF THE EVF.**
- **DO NOT EXPOSE YOUR CAMCORDER TO EXTENDED HIGH TEMPERATURE ...** Such as, in direct sunlight, inside a closed car, next to a heater, etc... This action could permanently damage the internal parts of your Camcorder.
- **AVOID SUDDEN CHANGES IN TEMPERATURE ...** If the unit is suddenly moved from a cold place to a warm place, moisture may form on the tape and inside the unit.
- **DO NOT LEAVE YOUR CAMCORDER OR THE POWER SUPPLY TURNED ON WHEN NOT IN USE.**
- **STORAGE OF YOUR CAMCORDER ...** Store and handle your Camcorder in a manner that will not subject it to unnecessary movement (avoid shaking and striking). Your Camcorder contains a sensitive pick-up device which could be damaged by improper handling or storage.

CARE

- **TO CLEAN YOUR CAMCORDER ...** Do not use strong or abrasive detergents when cleaning your Camcorder body.
- **TO PROTECT THE LENS ...** Do not touch the surface of the lens with your hand. Use a commercial camcorder lens solution and lens paper when cleaning the lens. Improper cleaning can scratch the lens coating.
- **TO PROTECT THE FINISH OF YOUR CAMCORDER ...** Before handling your Camcorder, make sure your hands and face are free from any chemical products, such as suntan lotion, as it may damage the finish.

Table of Contents

Getting Started

Things You Should Know	2~3
Important Safeguards	4~5
Precautions	5
Self Demo Mode	7
Quick Operation Guide	8
Supplying Power (Battery Charge/Use/Refresh/Care, AC Adaptor, Car Battery Cord)	9~10
Cassette Information	11
Before Using (Using the Shoulder and Hand Straps, Lens Cap)	12
Using MENU Mode	13
Setting the Clock (Time Zone, Auto Daylight Saving Time)	14~15
Built-in Auto Light (Using the Light, Replacing the Bulb)	16

Basic Operation

Camera Recording (Basic, Stand-by, Programmed Recording)	17~19
Playing Back Recordings (Basic Playback, Visual Search, Still Picture, Tracking, TV/VCR Playback)	20~21
Copying your Tapes (dubbing)	22

Special Features

Four-Speed Power Zoom	23
Backlight	23
Focus (Auto/Manual Focus)	24
High Speed Shutter (Auto/Manual Shutter)	25
Auto Fade	26
Color Digital Fade	27
Digital Zoom	28
Digital Electronic Image Stabilization (E.I.S.)	29
MotionSensor	30

For Your Information

Viewfinder/LCD Monitor Indications	31~32
Operation Notes (Cleaning EVF)	33
Notice	33
Replacing Clock Battery	34
Palmcorder Accessory System	35
Palmcorder Accessory Order Form	36
Specifications	37
Before Requesting Service (Video Head Cleaning)	38
Request for Service Notice	39
Limited Warranty	40
Customer Services Directory	41
Index	42

Self Demo Mode

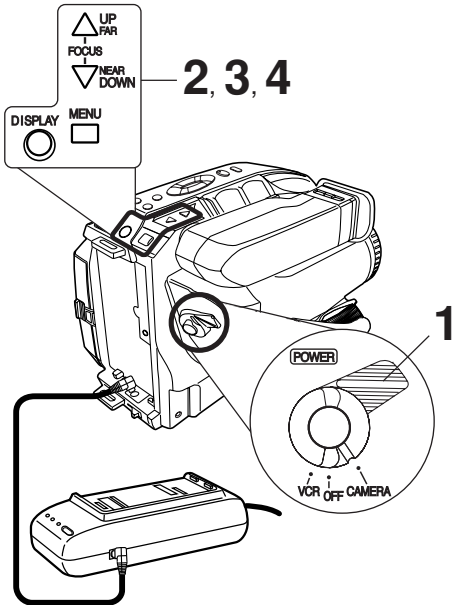
Self Demo mode is on when the screen below appears. To turn it off, follow steps 1-4 below.

EVF or LCD Monitor

Panasonic

ITS TAPES CAN PLAY
IN YOUR VCR
YES. IT'S VHS!

26x LENS / 780x D.ZOOM
DIGITAL STABILIZATION
FULL-SIZE HEAD SYSTEM

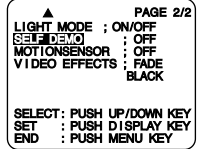


Before you begin...

- Connect Camcorder to power source.

1 Set **POWER** to **CAMERA**.

2 Press **MENU** for MENU mode.
Press **UP** or **DOWN** to select **SELF DEMO**.



3 Press **DISPLAY** to select OFF.

4 Press **MENU** to exit.

Note:

- Self Demo stops automatically if battery is attached (page 9) and cassette tape is inserted (page 11).
- Inserting a tape alone (or attaching a partially charged battery) only temporarily stops Self Demo.
- Self Demo stops for 30 seconds when the Light is pressed.

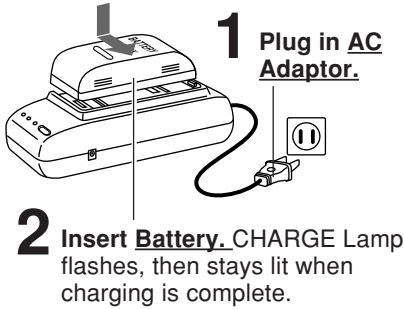
To turn Self Demo back on:

- Set to SELF DEMO : ON in MENU screen.

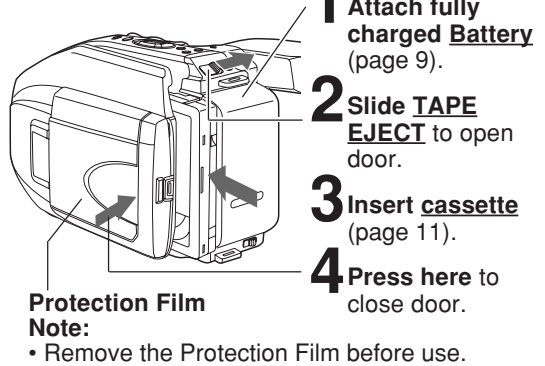
Quick Operation Guide

Charging the Battery Pack

Charge Battery Pack fully before operation (page 9).

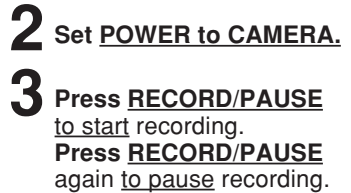
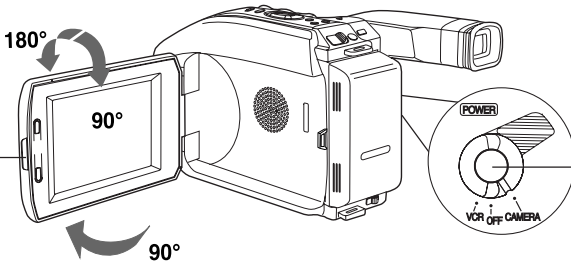
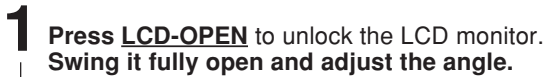


Insert Cassette



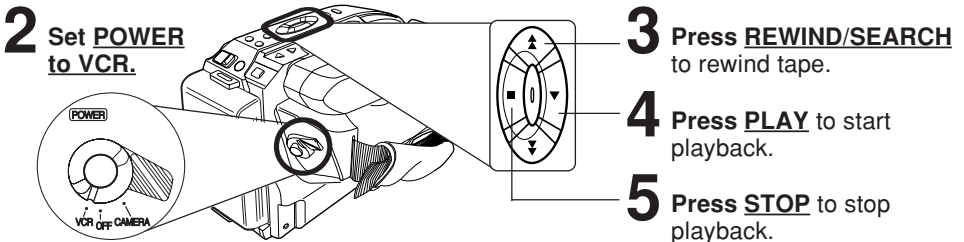
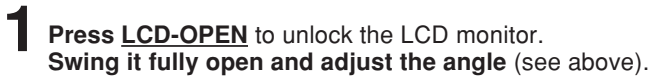
Camera Recording

When the LCD monitor is open, the EVF automatically turns OFF (page 17).



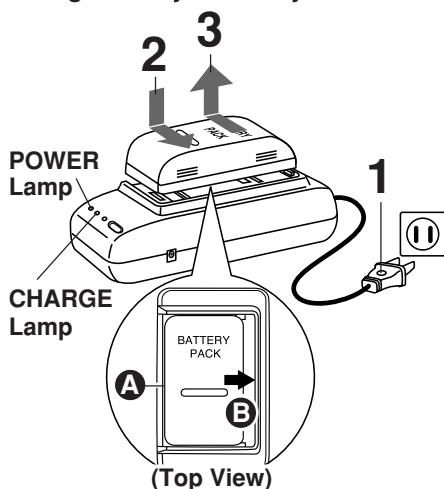
Playback using the LCD Monitor

When the LCD monitor is open, the EVF automatically turns OFF (page 20).



Charging the Battery Pack

Charge Battery Pack fully before use.



1 Plug in **AC Adaptor**.
POWER Lamp lights.

2 Insert **Battery**.
A Align left side of Battery with left edge of AC Adaptor.
B Press Battery down and slide in direction of arrow.

The CHARGE Lamp flashes, then stays lit when charging is complete.

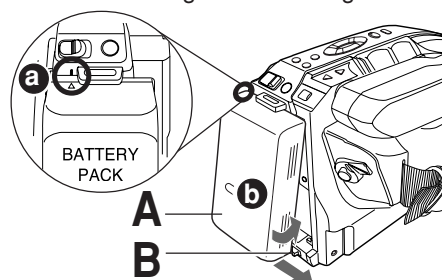
3 Remove **Battery**.
Slide Battery to the left and lift off.

Note:

- Charging takes about 1 and 1/2 hours.
- While the DC Power Cable (supplied) is connected to the AC Adaptor, the Battery cannot be charged.
- After charging 5 times, use Battery Refresh feature as explained below.
- Battery life gradually decreases after repeated use and recharging. If operation time becomes very short even after a sufficient charge, discard Battery properly (pages 10, 33).

Using the Battery Pack

A fully charged Battery provides a maximum of about 2 hours of continuous use (LCD monitor off) or about 1.5 hours (LCD monitor on). Actual time may vary due to operating conditions. Using the Built-in Light decreases operating time.

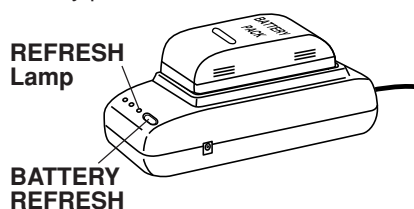


A Attach **Battery**.
a Insert top of Battery into top of mounting surface.
b Press and snap into place.

B Remove **Battery**.
Slide **BATTERY RELEASE** and remove Battery.

Battery Refresh

This feature completely discharges Battery before recharging begins. Use after every 5 charges for optimum Battery performance.



To use battery refresh, insert Battery on AC Adaptor (see steps 1~2 above), then press **BATTERY REFRESH**.

The REFRESH Lamp lights, then goes out when discharge is complete. Battery charging will then start automatically.

If **BATTERY REFRESH** is pressed by mistake, remove Battery from AC Adaptor and reinsert it for normal charging.

Note:

- Charging takes about 7 and 1/2 hours when Battery Refresh is used.
- Battery will not operate in extremely high temperatures.

Supplying Power

Battery Care

Caution:

- Charge only with specified charger.
- Battery can be charged within a temperature range of 10 °C (50 °F) and 35 °C (95 °F).
- Battery is normally warm after charging or just after use.
- Do not use an insufficiently charged or worn-out Battery.

Safety precautions:

- Do not get Battery near, or dispose of in, fire.
- Do not directly connect (short circuit) the positive (+) and negative (-) terminals.
- Never attempt to disassemble or reassemble Battery.

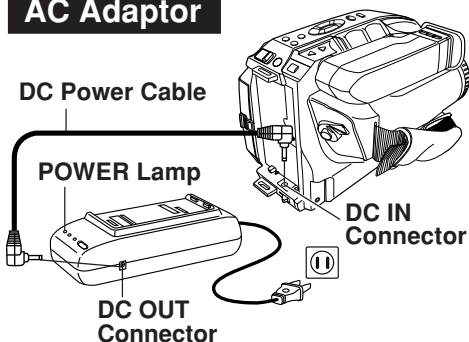
To avoid Battery damage:

- Do not drop or jar Battery.
- Use Battery with specified units only.
- If Battery is used in extremely high temperatures, a safety device will automatically prevent operation.

To prolong Battery life:

- While not in use, remove Battery from the Camcorder and AC Adaptor, and store in a cool, dark, dry place.
- Keep Battery terminals clean.

AC Adaptor



1 Connect **AC Adaptor DC OUT** to **Camcorder DC IN** with supplied DC Power Cable.

2 Plug in AC Adaptor. POWER Lamp lights.

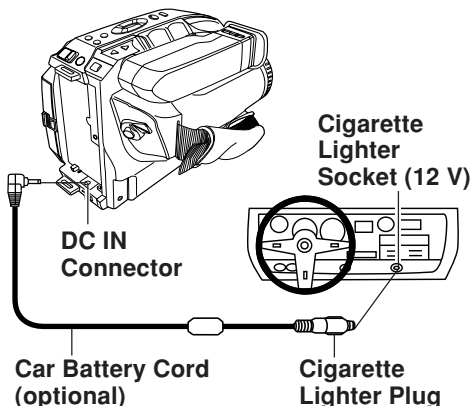
Note:

- While the DC Power Cable (supplied) is connected to the AC Adaptor, the Battery cannot be charged.
- When not in use, unplug AC Adaptor from AC outlet. (Adaptor uses 1.2 W of electricity while plugged in.)

CAUTION:

This unit will operate on 110/120/220/240 V AC 50/60 Hz. An AC plug adaptor may be required for voltages other than 120 V AC. Please contact either a local or foreign electrical parts distributor for assistance in selecting an alternate AC plug. We recommend using the accessory power plug adaptor (VJSS0070/K2DB42E00001) in an area which has special AC outlets.

Car Battery Cord (Optional)



1 Connect PV-C16 **Car Battery Cord** (optional) to **Camcorder DC IN**.

2 **A** Start engine first.
B Plug Car Battery Cord into Cigarette lighter socket.

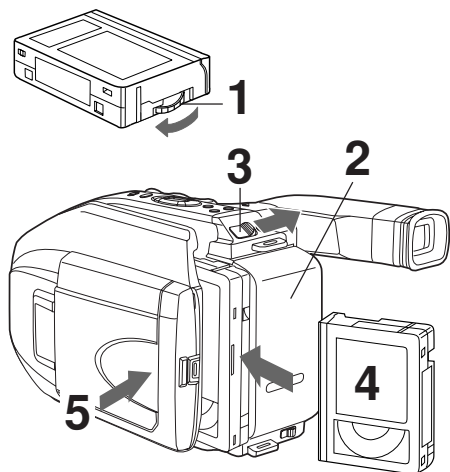
- If Car Battery cord fuse needs replacing, use exact current rating (in amps).

Note:

- This cord only works in vehicles equipped with **DC 12 V (negative ground)** battery. Check with your car/truck dealer. Use only specified car battery cord.
- To avoid blowing the car battery cord fuse, do step 2 in the proper order.
- Running vehicles must be well ventilated.
- When not in use, disconnect cigarette lighter plug.
- For personal safety the driver of the vehicle should not attempt to operate the camcorder while driving.

Cassette Information

Cassette Insertion/Removal



- 1** Turn **Tape Wheel** in direction of arrow until there is no slack.
- 2** Attach **Battery** (page 9).
- 3** Slide **TAPE EJECT** to open door.
- 4** Insert **cassette** as shown.
- 5** Press here to close door.

• To remove the cassette, slide the **TAPE EJECT** switch.

Record/Playback Time

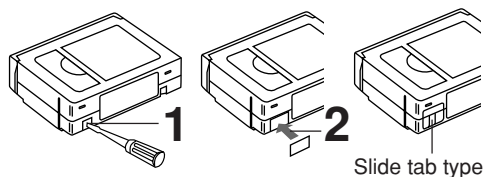
Use tapes with the **VHSC** mark in this unit.

Tape Speed Selector Position	Cassette type		
	TC-20	TC-30	TC-40
SP (Standard Play)	20 minutes	30 minutes	40 minutes
SLP (Super Long Play)	1 hour	1 hour 30 minutes	2 hours

• SLP playback may contain more picture noise.

Erase Protection Tab

Protects tapes from being accidentally erased.



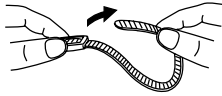
- 1** To prevent accidental erasing, **break off tab** with screwdriver. (Or, slide tab open.)
- 2** To record again, **cover hole** with adhesive tape. (Or, slide tab closed.)

Before Using

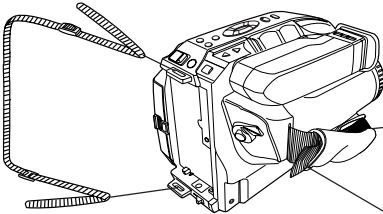
Attaching Shoulder Strap

Remove Battery Pack before completing the following steps:

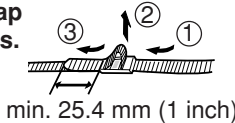
- 1** Undo strap ends from buckles.



- 2** Thread strap ends through Strap Rings on Camcorder.

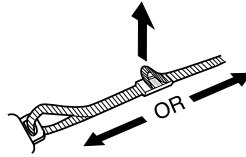


- 3** Re-insert the strap ends into buckles.



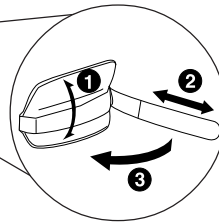
min. 25.4 mm (1 inch)

Adjust the Length of the Shoulder Strap



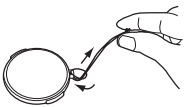
Pull a loop of strap from buckle, then pull strap tight to shorten or lengthen.

Hand Strap



Adjust Hand Strap length to fit your hand as shown.

Lens Cap

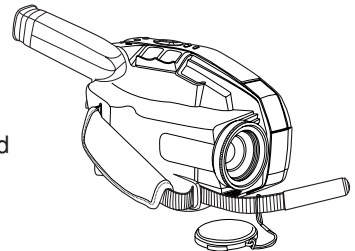


Attaching the Lens Cap Strap:

Thread the Strap through the Lens Cap attachment ring as illustrated at left.

Attaching the Lens Cap Cord to the Hand Strap:

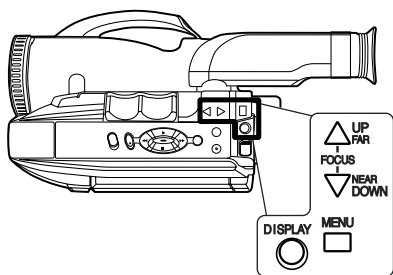
Remove the Hand Strap from the front clasp and thread the Strap through the loop in the Lens Cap Cord. Reattach the Hand Strap.



Using MENU Mode

Before you begin...

- Connect Camcorder to power source.
- Set POWER to CAMERA or VCR.



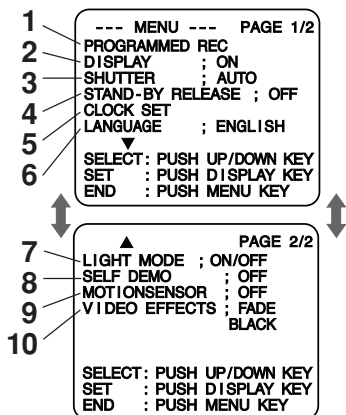
1, 2, 3, 4

- 1 Press **MENU** for MENU mode.
The CAMERA or VCR MENU screen (see below left) appears when Menu mode is entered.
- 2 Press **UP** or **DOWN** to highlight the desired menu item.
- 3 Press **DISPLAY** to set selection.
- 4 Press **MENU** to exit.

Note:

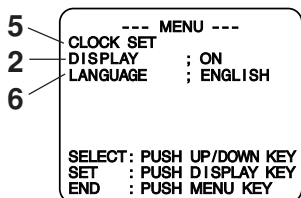
- The Menu mode is canceled if **UP/DOWN**, **DISPLAY**, or **MENU** are not pressed within 5 minutes when Self Demo mode is off with no cassette tape and/or battery inserted.
- The Menu mode is canceled if **UP/DOWN**, **DISPLAY**, or **MENU** are not pressed within 30 seconds when Self Demo mode is on with no cassette tape and/or battery inserted.

MENU Mode (CAMERA) Screen



- 1 **PROGRAMMED REC** (page 19).
Camcorder starts and stops recording at a preset time.
- 2 **DISPLAY** (page 31).
ON : On-screen Display (OSD) screens are displayed.
- 3 **SHUTTER** (page 25).
Select desired shutter speed.
- 4 **STAND-BY RELEASE** (page 18).
ON : Enables quick resumption of recording from Stand-by mode.
- 5 **CLOCK SET** (pages 14, 15).
Select to set clock.
- 6 **LANGUAGE**
Select LANGUAGE : ENGLISH or IDIOMA : ESPAÑOL as desired.
- 7 **LIGHT MODE** (page 16).
ON/OFF : Light can be set ON or OFF.
ON/OFF/AUTO : Light can be set ON, OFF, or AUTO.
- 8 **SELF DEMO** (page 7).
ON : SELF DEMO screen is displayed.
- 9 **MOTIONSENSOR** (page 30).
ON : Enables MotionSensor recording.
- 10 **VIDEO EFFECTS** (pages 26~27).
AUTO FADE : BLACK or WHITE
DIGITAL FADE : TYPE → 7 types
COLOR → 8 colors

MENU Mode (VCR) Screen

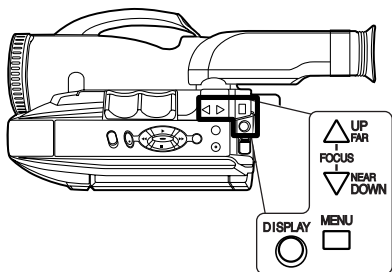


Setting the Clock

Set the following items in order: Time Zone, Daylight Saving Time, Date, and Time.

Before you begin...

- Connect Camcorder to power source.
- Set POWER to CAMERA or VCR.



1, 2, 3, 4

- 1 Press **MENU** for MENU mode.
Press **UP** or **DOWN** to select **CLOCK SET**.

```
--- MENU --- PAGE 1/2
PROGRAMMED REC
DISPLAY : ON
SHUTTER : AUTO
STAND-BY RELEASE : OFF
CLOCK SET
LANGUAGE : ENGLISH
▼
SELECT: PUSH UP/DOWN KEY
SET : PUSH DISPLAY KEY
END : PUSH MENU KEY
```

[CAMERA MODE]

```
--- MENU ---
CLOCK SET
DISPLAY : ON
LANGUAGE : ENGLISH
▼
SELECT: PUSH UP/DOWN KEY
SET : PUSH DISPLAY KEY
END : PUSH MENU KEY
```

[VCR MODE]

- 2 Press **DISPLAY** for CLOCK SET menu.
Press **UP** or **DOWN** to select **TIME ZONE**, **DST**, or **DATE/TIME**.

```
--- CLOCK SET ---
TIME ZONE : EASTERN
D.S.T. : AUTO
DATE/TIME : 12:00:00AM
JAN 1 2003
SELECT: PUSH UP/DOWN KEY
SET : PUSH DISPLAY KEY
END : PUSH MENU KEY
```

- 3 Press **DISPLAY** for menu of item selected in step 2.

To change the setting:

TIME ZONE → Go to step 3a on page 15.

D.S.T. → Go to step 3b on page 15.

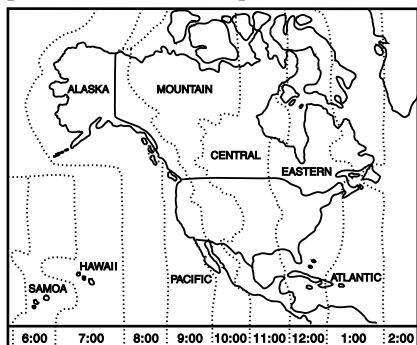
DATE/TIME → Go to step 3c on page 15.

- 4 Press **MENU** twice to exit.

3a Setting the Time Zone

The Camcorder is preset to Eastern time.

[Time Zone chart]



Press **UP** or **DOWN** to select local time zone.

Press **DISPLAY** to confirm entry.

--- SELECT TIME ZONE ---

ATLANTIC	PACIFIC
EASTERN	ALASKA
CENTRAL	HAWAII
MOUNTAIN	SAMOA

SELECT : PUSH UP/DOWN KEY
SET : PUSH DISPLAY KEY

- When traveling, repeat this operation and select one of the 8 listed time zones to set the clock to local time.

Note :

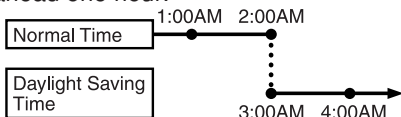
- Clock may lose or gain up to 2 minutes per month.
- When traveling outside the listed time zones, set clock to local time manually.
- To adjust or set clock, see "Setting Date and Time" bottom of page.

3b Auto Daylight Saving Time

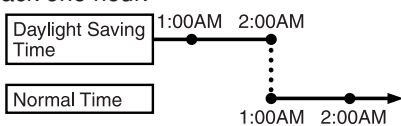
Clock will auto-adjust to daylight saving time (DST).

DST: AUTO

Spring (First Sunday in April) :
ahead one hour.



Autumn (Last Sunday in October) :
back one hour.



The Camcorder is preset to DST: **AUTO**. If DST is not observed in your area, set to **OFF** by doing the following.

Press **UP** or **DOWN** to select OFF or AUTO.

Press **DISPLAY** to confirm entry.

-- DAYLIGHT SAVING TIME --

AUTO
OFF

SELECT : PUSH UP/DOWN KEY
SET : PUSH DISPLAY KEY

Note:

- Auto DST does not function if time zone is set to Hawaii or Samoa (see "Setting the Time Zone" above).

3c Setting Date and Time

Date and time including leap year are calculated up to DEC 31, 2099.

EXAMPLE :

UP
FAR

DOWN
NEAR

DISPLAY

--- DATE/TIME SETTING ---

12:00:00AM

JAN 1 2003

SELECT : PUSH UP/DOWN KEY
SET : PUSH DISPLAY KEY

--- DATE/TIME SETTING ---

1:00:00PM

JAN 1 2003

SELECT : PUSH UP/DOWN KEY
SET : PUSH DISPLAY KEY

--- DATE/TIME SETTING ---

1:00:00PM

JAN 1 2003

SELECT : PUSH UP/DOWN KEY
SET : PUSH DISPLAY KEY

--- DATE/TIME SETTING ---

12:00:00AM

JAN 1 2003

SELECT : PUSH UP/DOWN KEY
SET : PUSH DISPLAY KEY

Press or hold down **UP** or **DOWN** to select hour, then press **DISPLAY** to fix.

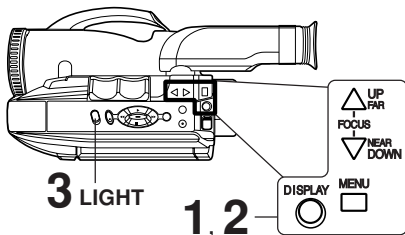
Repeat for minute, month, day, and year.

Clock starts when year is entered and **DISPLAY** is pressed.

Built-in Auto Light

Using the Light

For recording in dim lighting.

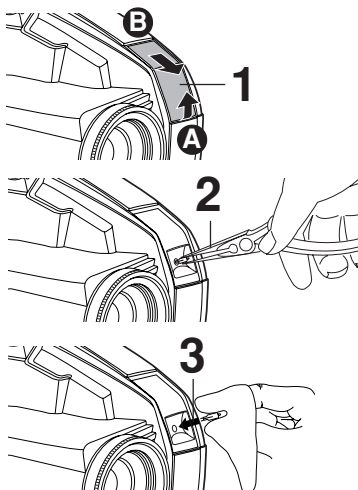


CAUTION:
Light becomes hot.
Never cover Light while on.

Note:

- Using Light reduces battery operating time.
- Provide proper ventilation when using Light extensively in a hot environment.
- Using Light when the Camcorder is powered by a car battery may shorten bulb life.
- Set Light to OFF when not in use.

Replacing the Bulb



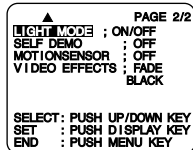
DANGER:

Use only replacement bulb (PART NO. VLLW0015) supplied by Panasonic to reduce risk of fire.
Handle new bulb with cloth or tissue as skin oils will decrease bulb life.
Remove lens cover and allow bulb to cool before replacing to avoid possible burn hazard.

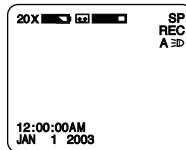
Before you begin...

- Connect Camcorder to power source.
- Set POWER to CAMERA.

- 1 Press **MENU** for MENU mode. Press **UP** or **DOWN** to select **LIGHT MODE**.
- 2 Press **DISPLAY** to set OFF/ON or OFF/ON/AUTO. Press **MENU** to exit.
- 3 Press **LIGHT** repeatedly for Light ON, AUTO, or OFF.
 - In AUTO, light turns itself on/off according to lighting conditions.



EVF or LCD Monitor



- ⇒ **D** : Light is on.
- A** ⇒ **D** : Light mode is auto.

Before you begin...

- Order Part No. VLLW0015 for replacement bulb.
- Set POWER to OFF.

- 1 Slightly raise portion **A** of lens cover to unhook, and slide portion **B** forward to remove.
- 2 Using Tweezers or needle-nose pliers, carefully remove bulb.
 - Take unit to service center if you need assistance.
- 3 Replace bulb using a clean cloth or tissue. (Do not touch with fingers.)
- 4 Replace lens cover.

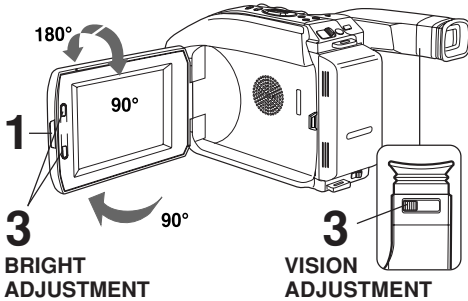
Note:

- Handle bulb gently. Excessive force may cause bulb to crack.

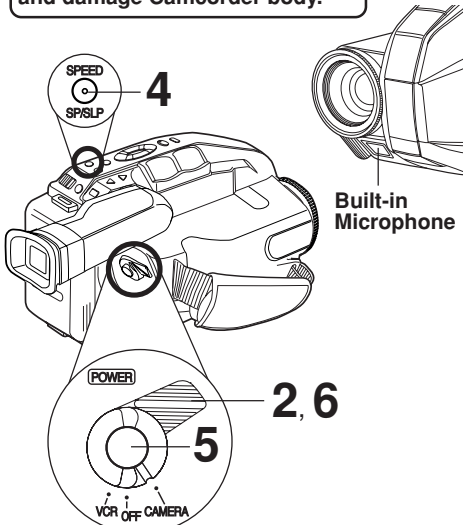
Camera Recording

Recording via EVF or LCD Monitor

View recording scene on EVF (Electronic Viewer Finder) or LCD (Liquid Crystal Display) monitor.



CAUTION :
Rotating partially open LCD monitor may block cassette door and damage Camcorder body.



WARNING :
• Do not leave the camcorder with the EVF aimed directly at the sun. This may cause damage to the internal parts of the EVF.

Note:

- When Camcorder is aimed at excessively bright objects, or bright lights, a vertical bar may appear in the picture. This is normal for the CCD pick-up. Try to avoid this when possible.
- Using LCD monitor reduces battery operation time. Return LCD monitor to locked position when not in use.

Before you begin...

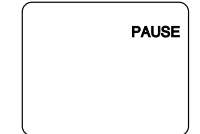
- Connect Camcorder to power source.
- Insert cassette with record tab (page 11).

1 Press **LCD-OPEN** to unlock the LCD monitor. **Swing LCD monitor fully open and adjust viewing angle.**

- If you want to record using EVF, close and lock LCD monitor.

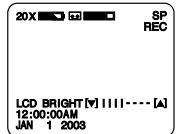
2 Set **POWER** to **CAMERA**.

- Be sure **POWER** is fully turned to **CAMERA** position.
- EVF or LCD monitor turns on/off by the **POWER** switch.
- EVF shuts off when LCD monitor is opened and turns back on when LCD is closed.
- Both EVF and LCD monitor turn on when LCD is at 180° (see above left). This allows both you and the subject to view the recording.



EVF or LCD Monitor
(Record/Pause mode)

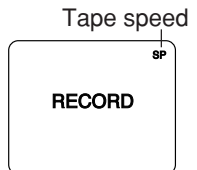
3 **LCD :** Press **BRIGHT ADJUSTMENT** to adjust LCD monitor brightness level.



EVF : Look into EVF and adjust **VISION ADJUSTMENT** to your eyesight.

4 Hold down **TAPE SPEED** for about 1 second to change tape speed to SP/SLP (page 11).

5 Press **RECORD/PAUSE** to start or pause recording.



6 Set **POWER** to **OFF** when finished.

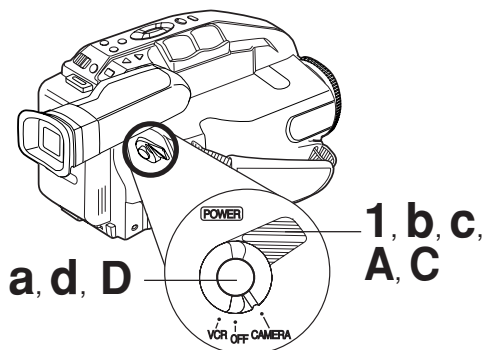
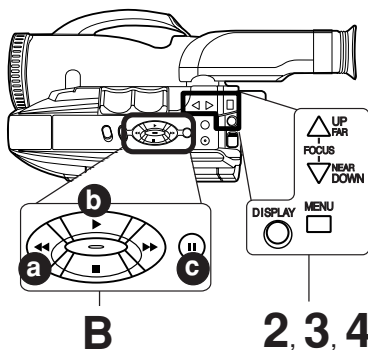
EVF or LCD Monitor
(Record mode)

- To remove the cassette, slide the **TAPE EJECT** switch (page 11).

Camera Recording

Before you begin...

- Connect Camcorder to power source.
- Insert cassette with record tab (page 11).



Manual Easy Editing

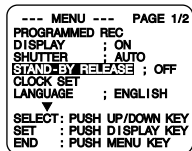
For proper continuity when taping from Stop mode or after attaching a new Battery.

- A** Set POWER to VCR.
- B** **a** Press REWIND/SEARCH to rewind a few seconds of tape.
- b** Press PLAY to review recording.
- c** Press STILL where you want to continue recording.
- C** Set POWER to CAMERA.
- D** Press RECORD/PAUSE to resume recording.

Stand-by Quick Release

If left in RECORD/PAUSE mode for 5 minutes, Camcorder switches to Stand-by mode to conserve battery. When set to ON, Stand-by Quick Release lets you resume recording by pressing RECORD/PAUSE two times. Stand-by Quick Release is set to OFF at the factory.

- 1 Set POWER to CAMERA.
- 2 Press MENU for MENU mode.
Press UP or DOWN to select STAND-BY RELEASE.
- 3 Press DISPLAY to select ON/OFF.
ON : From Stand-by mode, press RECORD/PAUSE two times to resume recording.
OFF : From Stand-by mode, set POWER to OFF, then to CAMERA. Press RECORD/PAUSE to record.
- 4 Press MENU to exit.



Easy Edit Stand-by

For a smooth transition between scenes if recording is stopped, and then started within 24 hours.

- a** Press RECORD/PAUSE to stop recording.
- b** Set POWER to OFF and leave cassette in Camcorder.
- c** To resume recording, set POWER to CAMERA.
- d** Press RECORD/PAUSE to resume recording.

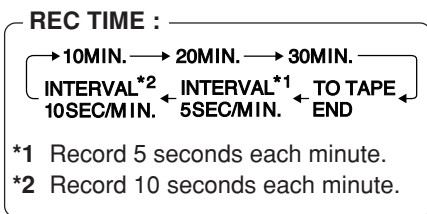
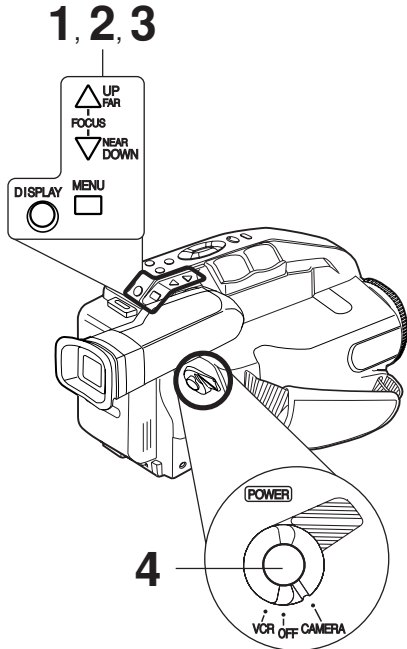
Note:

- Use Manual Easy Edit (left) if more than 24 hours before recording is resumed.

Camera Recording

Programmed Recording

Set a recording start and stop time. Or, set a 5 or 10 second interval recording to be done each minute.



Before you begin...

- Connect Camcorder to power source.
Use AC Adaptor for longer recordings.
- Insert cassette with record tab (page 11).
- Set **POWER** to **CAMERA**.

1 Press **MENU** for MENU mode. Press **UP** or **DOWN** to select **PROGRAMMED REC.**

```

--- MENU --- PAGE 1/2
PROGRAMMED REC
DISPLAY : ON
SHUTTER : AUTO
STAND-BY RELEASE : OFF
CLOCK SET
LANGUAGE : ENGLISH
  v
SELECT : PUSH UP/DOWN KEY
SET : PUSH DISPLAY KEY
END : PUSH MENU KEY
    
```

2 Press **DISPLAY**. (Current time is displayed.) Each additional press of **DISPLAY** increases start time by 30 minutes.

```

START : 10:20PM
REC TIME : 10MIN.

SELECT : PUSH UP/DOWN KEY
SET : PUSH DISPLAY KEY
START : PUSH RECORD KEY
CANCEL : PUSH MENU KEY

10:20:00PM
    
```

3 Press **DOWN** to select **REC TIME**. Press **DISPLAY** repeatedly to select one of the options shown at left.

```

START : 10:20PM
REC TIME : 10MIN.

SELECT : PUSH UP/DOWN KEY
SET : PUSH DISPLAY KEY
START : PUSH RECORD KEY
CANCEL : PUSH MENU KEY

10:20:00PM
    
```

To cancel the setup, press **MENU** twice.

4 Press **RECORD/PAUSE** to place Camcorder in stand-by mode.

```

STAND-BY
START : 10:20PM
REC TIME : 10MIN.

10:20:00PM
JUN 1 2003
    
```

Recording will be done as scheduled.

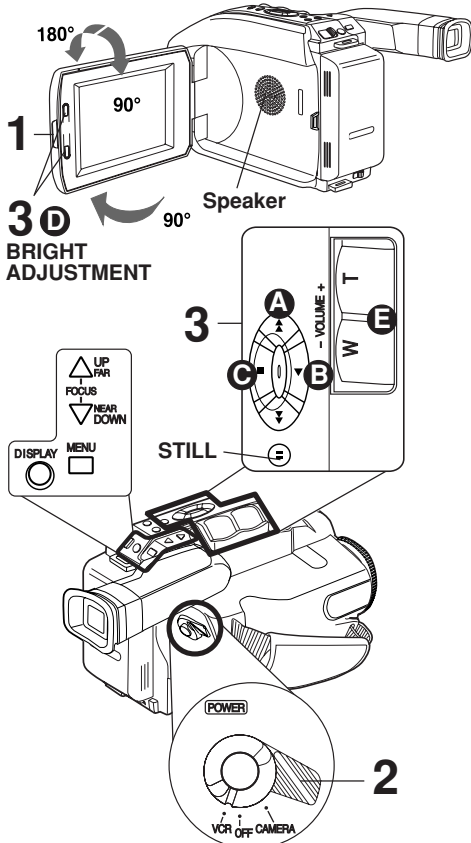
Note:

- Start time may not be set over 24 hours from current time.
- Camcorder shuts off at tape end, or 12 hours after Interval Recording starts.
- To cancel, set **POWER** to **OFF**.

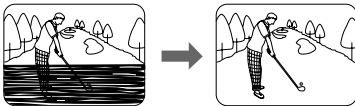
Playing Back Recordings

Before you begin...

- Connect Camcorder to power source.
- Insert recorded tape.



Tracking Control



Auto Tracking

Continuously analyzes each recording for optimum picture quality.

Manual Tracking

Some recordings require manual adjustment to reduce noise.

Press **UP** or **DOWN** until Playback picture clears up.

Press **DISPLAY** to return to Auto Tracking.

20 For assistance, please call : 1-800-211-PANA(7262) or send e-mail to : consumerproducts@panasonic.com

Playback on EVF or LCD Monitor

1 Press **LCD-OPEN** and swing LCD monitor fully open.

- If you want to playback on EVF, close and lock LCD monitor.

2 Set **POWER** to **VCR**.

- If tape has no record tab, auto playback begins.
- EVF or LCD monitor turns on/off by the POWER switch.
- EVF shuts off when LCD monitor is opened and turns back on when LCD is closed.

3 Playback function buttons.

- A** **REW** : Rewind tape.
- B** **PLAY** : Play tape.
- C** **STOP** : Stop tape.
- D** **BRIGHT** : Adjust LCD monitor brightness.
- E** **VOLUME** : During playback, adjust volume of speaker.

Press "T" : Volume up (+).

Press "W" : Volume down (-).

VOLUME (-) ||||| (|)

Note:

- Using LCD monitor reduces battery operating time. Return LCD monitor to locked position when not in use.

Special Effects

Quick Visual Search

Search Speed

- SP (Standard Play) : 3 times normal.
- SLP (Super Long Play) : 9 times normal.

During playback, press:

- **FF** : fast forward search
- **REW** : rewind search

Press again or press **PLAY** for normal play.

Still Picture

Press **STILL** to freeze picture.

Press **again** for normal play.

This feature works best in SLP mode (page 11).

Note:

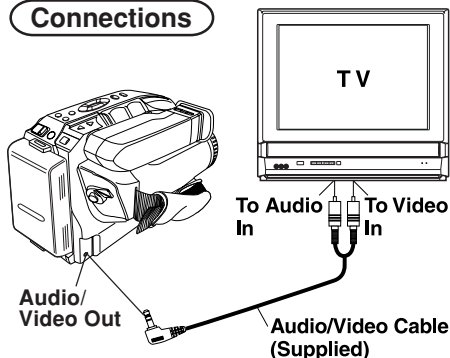
- During search, horizontal noise bars will appear. Audio is muted.
- To protect video heads and tape, operating modes will revert as follows after 5 minutes:
Still → Stand-by
Stand-by → Power off (when Battery Pack is used).
- Tape auto-rewinds if played or fast forwarded to end.

Playing Back Recordings

TV Playback or Viewing

Connect Camcorder to a TV to view playback or recordings in progress.

Connections



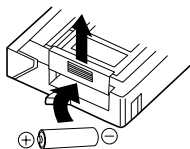
Before you begin...

- Connect Camcorder to power source.
- Make all TV-Camcorder connections.

- 1** Set **POWER** to:
VCR → view playback.
CAMERA → view picture as it is recorded.
- 2** Turn TV **ON** and set to **LINE INPUT**.
See TV owner's manual.
- 3** Begin playback or recording.

VCR Playback using PlayPak

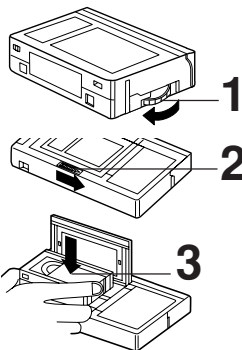
Load Battery in PlayPak



Remove Battery lid and insert AA battery.

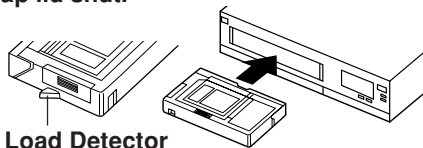
- Do not reverse polarity.
- Replace battery when tape loading/unloading takes longer than usual.

Insert VHS Cassette in PlayPak

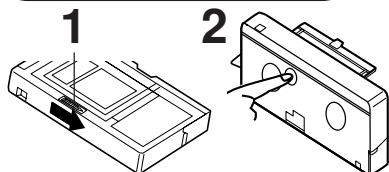


- 1** Turn **VHS** cassette **Tape Wheel** in direction of arrow to take up any slack.
- 2** Slide **RELEASE** to open cassette lid.
- 3** Insert the **VHS** cassette with the window up and on the left, then snap lid shut.

- Do not obstruct cassette reel while loading.
- Allow PlayPak Load Detector to fully retract before using in VHS VCR.



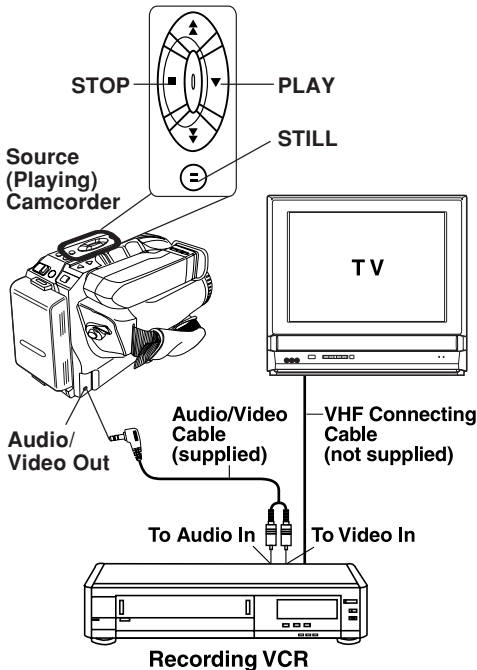
Remove VHS Cassette



- 1** Slide **RELEASE** and wait for lid to open.
- 2** Push cassette out through hole in bottom of PlayPak with your finger.

Copying your Tapes (dubbing)

Connections



Before you begin...

- Make Camcorder-VCR connections (see left).
- Turn both units on.
- Set VCR input signal to LINE.
Please see VCR owner's manual.
- Set Camcorder POWER to VCR.

- 1** Insert a pre-recorded tape into Camcorder and a blank tape with record tab into VCR.
- 2** Press PLAY on Camcorder, then press STILL at starting point.
- 3** Press REC, then STILL/PAUSE on VCR.
- 4** Press STILL on Camcorder and STILL/PAUSE on VCR to start copying.
- 5** Press STOP on both units to stop copying.

Note:

- Camcorder will only playback tapes recorded in SP or SLP mode.
- Dubbing may reduce picture quality.

CAUTION:

Unauthorized exchanging and/or copying of copyrighted recordings may be copyright infringement.

Monitor with your TV

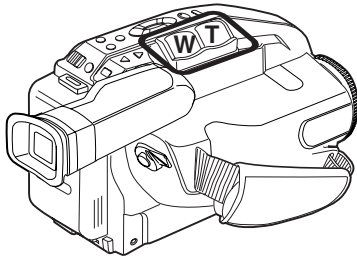
- Turn TV on and tune to VCR channel (CH3 or CH4).
- Set TV/VCR Selector on VCR to VCR.

Four-Speed Power Zoom

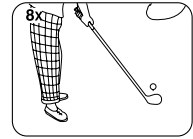
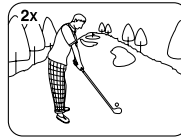
Zoom in (close up) and out (wide angle) in one of four speeds ranging from slow (16 seconds) to fast (2 seconds).

Before you begin...

- Connect Camcorder to power source.
- Set POWER to CAMERA.



Zoom In ("T")



Zoom Out ("W")

• Zoom slowly:

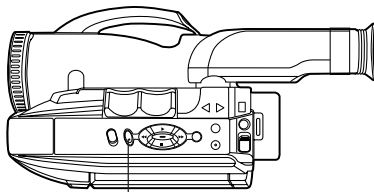
Lightly press "T" (telephoto) or "W" (wide angle) POWER ZOOM button.

• Zoom quickly:

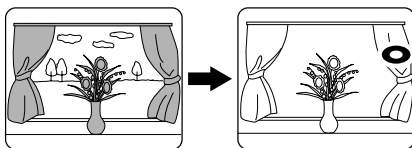
Apply more pressure to the button.

Backlight

Use when subject is darker than surroundings, in shadowed area, or in front of the light source.



B.LIGHT



Press B.LIGHT.

Before you begin...

- Connect Camcorder to power source.
- Set POWER to CAMERA.

Press **B.LIGHT** while recording to select the level of backlight compensation.

In normal lighting, press **B.LIGHT** repeatedly until no indicator is displayed.

EVF or LCD Monitor

→ Normal (No Indication)

● First press (Low)

○ Second press (Medium)

○ Third press (High)

○ Fourth press

Focus

Before you begin...

- Connect Camcorder to power source.
- Set POWER to CAMERA.

Auto Focus

Camcorder automatically focuses on subject even during zooming.

Auto Focus is on when “MF” is not displayed in EVF or LCD monitor.

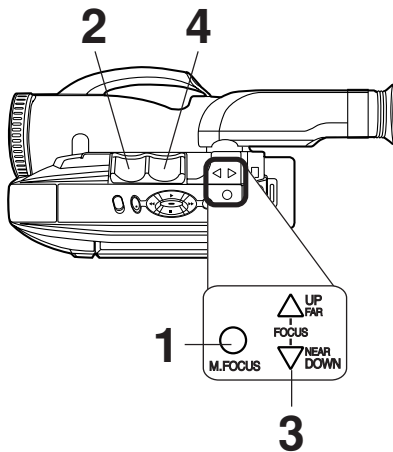
Press **M.FOCUS** to remove “MF” in EVF or LCD monitor if necessary.

Manual Focus

Use Manual Focus (MF) when :

- recording through glass.
- lighting is poor.
- subject is far away with objects in foreground.
- subject has distinct horizontal lines.
- subject is not centered in EVF or LCD monitor.
- subject has a shiny surface.
- subject is slanted.
- subject is bright and flat, like a white wall.
- subject has fast motion, like a golf swing.

EVF or LCD Monitor



- 1** Press **M.FOCUS** so “MF” (Manual Focus) appears in EVF or LCD monitor.
- 2** Hold down **“T” (telephoto)** on **POWER ZOOM** to maximum zoom in.
- 3** Press **UP (FAR)** or **DOWN (NEAR)** until subject is in focus.
 - Back away from subject if necessary.
- 4** Hold down **“W” (wide angle)** on **POWER ZOOM** as desired.
 - **Refocus as needed** when aiming at new scenes.

Macro Focus (close-ups)

Auto Focus functions up to 12.7 mm (1/2 inch) from subject.

Hold down **“W”** on **POWER ZOOM** to maximum wide angle.

Bring Camcorder up close to the subject.

High Speed Shutter

Improves Still or Slow Motion playback picture of high speed subjects (e.g. a tennis stroke), when viewed on Camcorder or 3 or 4 head VCR.

Auto Shutter

In AUTO mode (no indication in EVF or LCD Monitor), shutter speed is auto-adjusted from 1/60 to 1/350 according to subject brightness.

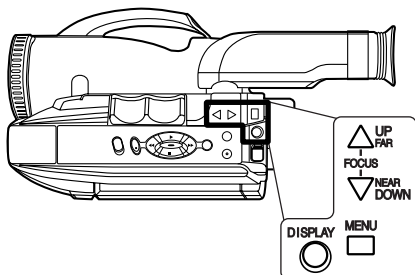
- AUTO mode is selected each time POWER is set to CAMERA.

Manual Selection

The faster the shutter speed, the more light is needed for proper picture and color quality. High Speed Shutter indication flashes if light is inadequate. Provide additional light.

Before you begin...

- Connect Camcorder to power source.
- Insert cassette with record tab (page 11).
- Set POWER to CAMERA.



1, 2, 3

1 Press **MENU** for MENU mode.
Press **UP** or **DOWN** to select **SHUTTER**.

2 Press **DISPLAY** repeatedly to select shutter speed.

```
--- MENU --- PAGE 1/2
PROGRAMMED REC : ON
DISPLAY       : ON
SHUTTER      : AUTO
STAND-BY RELEASE : OFF
CLOCK SET    :
LANGUAGE     : ENGLISH
SELECT: PUSH UP/DOWN KEY
SET       : PUSH DISPLAY KEY
END      : PUSH MENU KEY
```

→ AUTO → 1/60 → 1/100 → 1/250 → 1/500
← 1/10000 ← 1/4000 ← 1/2000 ← 1/1000 ←

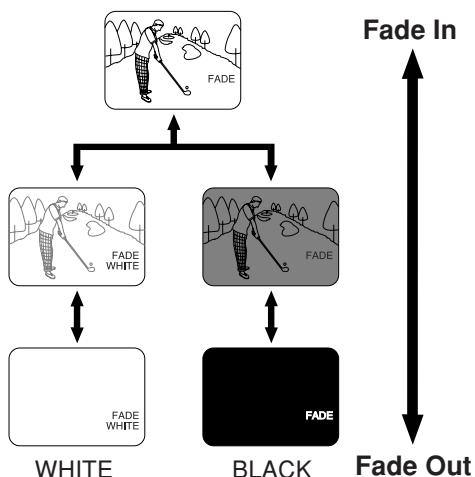
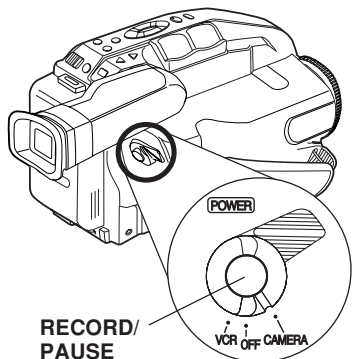
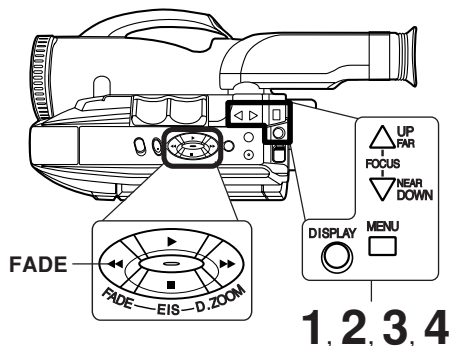
3 Press **MENU** to exit.

Note:

- Shutter speed cannot be set to 1/60 if Digital E.I.S. feature is set to ON.
- Provide additional halogen or tungsten light for use indoors or in poor light. Fluorescent light degrades picture.
- Auto Focus may not function properly if high speed shutter is used in inadequate light.
- Setting reverts to AUTO each time POWER is set to CAMERA.

Auto Fade

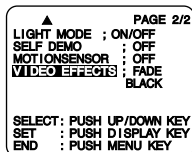
An interesting way to open and close scenes.



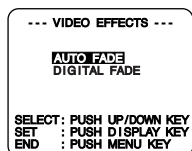
Before you begin...

- Connect Camcorder to power source.
- Set POWER to CAMERA.

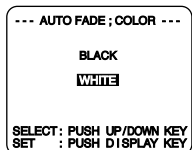
1 Press **MENU** for MENU mode.
Press **UP** or **DOWN** to select **VIDEO EFFECTS**.



2 Press **DISPLAY** for VIDEO EFFECTS menu. Press **UP** or **DOWN** to select **AUTO FADE**.



3 Press **DISPLAY** for AUTO FADE ; COLOR menu. Press **UP** or **DOWN** to select BLACK or WHITE.



4 Press **DISPLAY** to confirm entry.
Press **MENU** to exit.

Fade In:

In **RECORD/PAUSE** mode, press **FADE** so "FADE" flashes in EVF or LCD monitor.
Press **RECORD/PAUSE**.
Recording starts as picture and sound gradually fade in.

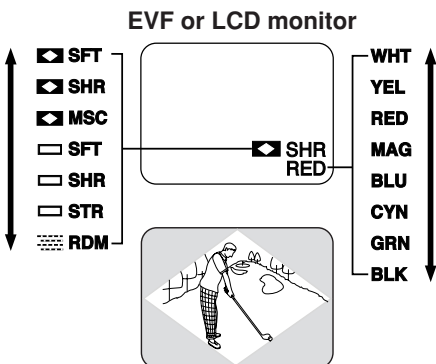
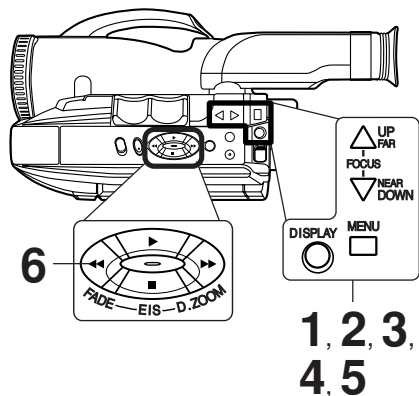
Fade Out:

While recording, press **FADE** so "FADE" flashes in EVF or LCD monitor.
Press **RECORD/PAUSE**.
Picture and sound gradually fade out, and recording is paused.

If **FADE** is pressed accidentally, press again so "FADE" disappears in EVF or LCD monitor.

Color Digital Fade

Choose from 7 fade effects in 8 different colors.



- For more effects, stop fade in or fade out at any time (except RANDOM mode) by pressing **FADE**. Then, press **FADE** to resume fade.

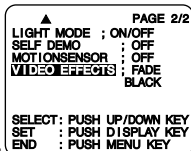
Note:

- Audio is not affected by fade.
- To cancel Digital Fade, do steps 1, 2, and 5. In step 2, select AUTO FADE.

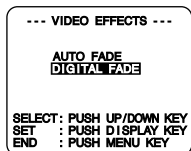
Before you begin...

- Connect Camcorder to power source.
- Set **POWER** to **CAMERA**.

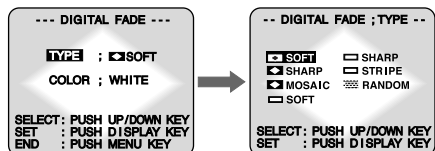
1 Press **MENU** for MENU mode.
Press **UP** or **DOWN** to select **VIDEO EFFECTS**.



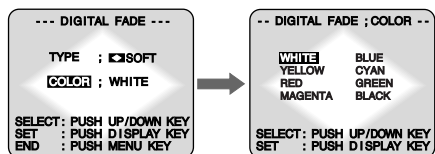
2 Press **DISPLAY** for VIDEO EFFECTS menu.
Press **DOWN** to select **DIGITAL FADE**.



3 Press **DISPLAY** for DIGITAL FADE menu.
Press **UP** or **DOWN** to select **TYPE**.
Press **DISPLAY** for TYPE menu.
Press **UP** or **DOWN** to select from 7 different types of fades.
• A preview of each fade type is displayed as it is selected.



4 Press **DISPLAY** for DIGITAL FADE menu.
Press **DOWN** to select **COLOR**.
Press **DISPLAY** for COLOR menu.
Press **UP** or **DOWN** to select from 8 colors.
• A preview of each color is displayed as it is selected.



5 Press **DISPLAY** to confirm entry.
Press **MENU** twice to exit.

6 Press **FADE** for about 2 seconds to fade out during recording (selected fade type flashes). Press **FADE** again to fade in.

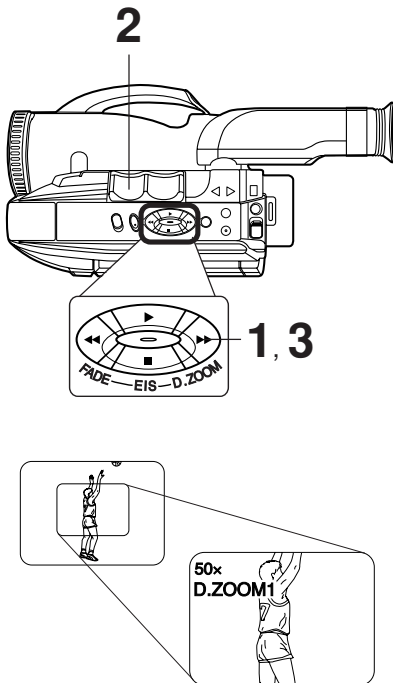
Special Features

Digital Zoom

Power Zoom magnification is digitally increased.

Before you begin...

- Connect Camcorder to power source.
- Set POWER to CAMERA.



1 Press **D. ZOOM**.
once →D.ZOOM 1 (150× maximum)
twice →D.ZOOM 2 (780× maximum)
The Higher digital magnification levels may cause picture distortion.

2 Hold down **"T"** on **POWER ZOOM**.
Digital Zoom starts when normal zoom reaches maximum (26×).
• Zoom level appears in EVF or LCD monitor.
• POWER ZOOM switch controls digital zoom level.
• Normal zoom resumes when level falls to 26×.

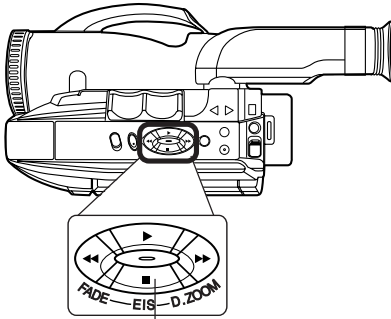
3 Press **D. ZOOM** to turn off Digital Zoom so no indication appears.

Digital Electronic Image Stabilization (E.I.S.)

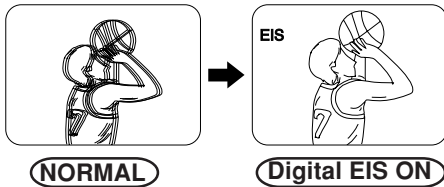
Helps stabilize picture when recording in unstable situations.

Before you begin...

- Connect Camcorder to power source.
- Set POWER to CAMERA.



1, 2



1 Press **EIS** to display "EIS" in the EVF or LCD monitor.

- Image becomes slightly enlarged and shutter speed auto-adjusts from 1/80 to 1/350 according to brightness.
- Use High Speed Shutter (page 25) if needed. Shutter speed setting remains after EIS is canceled.

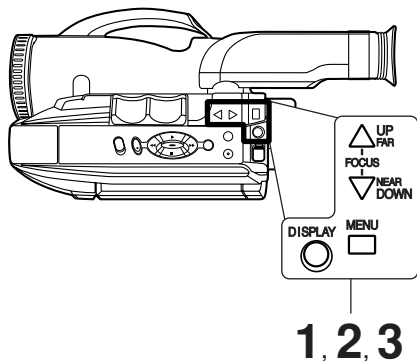
2 Press **EIS** again to cancel when not in use.

E.I.S. may not function during...

- extreme Camcorder movement.
- recording of subjects with distinct horizontal or vertical stripes.
- low light situations (EIS indicator flashes).
- intense fluorescent lighting situations.
- recording of very fast motion.

MotionSensor

Recording starts automatically if motion is detected.



MotionSensor may mistakenly start when:

- background is plain, like a white wall, or has distinct vertical, horizontal, or slanted stripes, like a venetian blind.
- brightness suddenly changes.

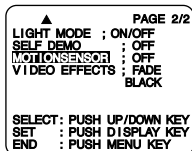
MotionSensor may not start when:

- motion is very slow or fast.
- moving object is very small.
- motion occurs only in 1 corner of viewing area.
- in poor lighting (in this case, MOTIONSENSOR flashes).
- background is plain, like a white wall, or has distinct horizontal or vertical stripes.

Before you begin...

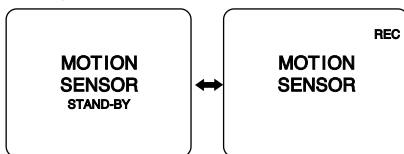
- Connect Camcorder to power source. Use AC Adaptor for longer recordings.
- Insert cassette with record tab (page 11).
- Set POWER to CAMERA.
- Securely position and aim Camcorder.

- 1 Press **MENU** for MENU mode. Press **UP** or **DOWN** to select **MOTIONSENSOR**.



- 2 Press **DISPLAY** to select ON.

- 3 Press **MENU** for MotionSensor stand-by mode. (If cassette is not inserted, "⏏" will flash.)



- Recording will start about 3 seconds after motion is detected.
- Date and time are recorded if displayed in EVF or LCD monitor (page 15).
- Recording stops about 30 seconds after motion ceases.

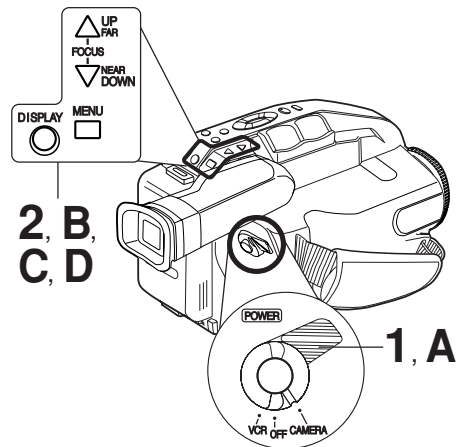
To cancel MotionSensor Mode, set **POWER to OFF**.

Note:

- MotionSensor recording starts if Camcorder is bumped or repositioned.
- This feature is not available during normal recording.
- While in MotionSensor stand-by, the following functions are not available: Record/Pause, Stand-by mode, Digital E.I.S., Video Effects (Auto/Digital Fade).

Viewfinder/LCD Monitor Indications

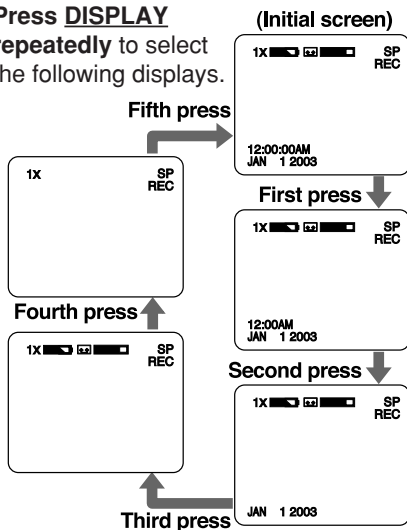
Tape remaining and battery charge level can be displayed.



Before you begin...

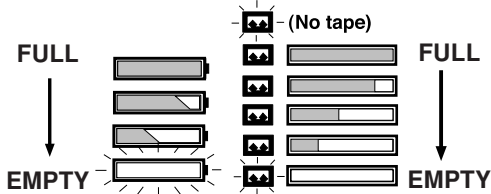
- Connect Camcorder to power source.

- 1 Set **POWER** to **CAMERA**.
- 2 Press **DISPLAY** repeatedly to select the following displays.



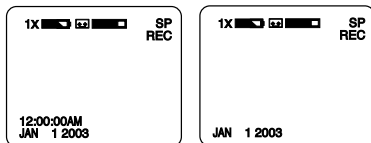
- Tape remaining indicator operates a few seconds after tape starts moving.

Battery Remaining: Tape Remaining:



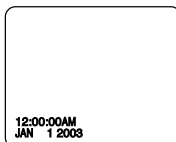
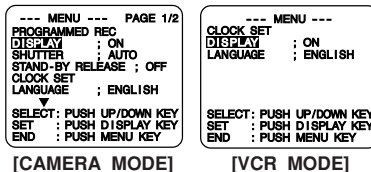
Recording the Date and Time

- Do steps 1 and 2 above to select time/date, date only, or no display.
- Start a recording (page 17).
 - Only the Date and/or Time are recorded.



Display-Off Mode

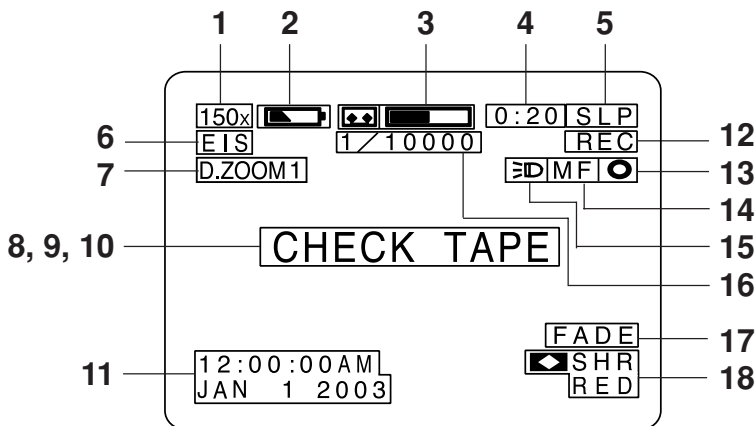
- Set **POWER** to **CAMERA** or **VCR**.
- Press **MENU** for MENU mode.
Press **UP** or **DOWN** to select **DISPLAY**.
- Press **DISPLAY** to select OFF.
Press **MENU** to exit.
- Press **DISPLAY** repeatedly to remove time/date.

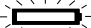





Indications are restored the next time Camcorder is turned on.

Viewfinder/LCD Monitor Indications

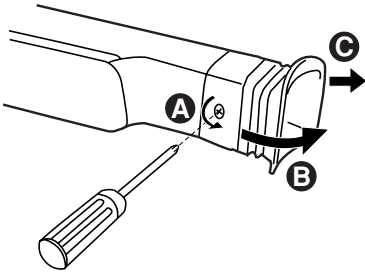
CAMERA/VCR mode



- 1 **Zoom Magnification level** (pages 23, 28).
- 2 **Battery Remaining**  (page 31).
“WARNING LOW BATTERY” appears and Camcorder shuts off after 15 seconds.
- 3 **Tape Remaining** (page 31).
“” flashes and “TAPE END” appears for 5 seconds when:
 - End of tape is reached.
 “” flashes for 1 minute and “CHECK TAPE” appears for 5 seconds when:
 - RECORD/PAUSE is pressed with no cassette, or cassette has no record tab in Camera (RECORD) mode.
 - PLAY, FF or REW is pressed with no cassette inserted in VCR mode.
- 4 **10-Second Reminder**
Each time a recording is started, a 10 second incremental display (up to 59:50) lets you monitor how long one scene is recorded.
 0:00 0:10 0:20 59:50

 (return to 0:00 and continue)
- 5 **TAPE SPEED** (pages 11, 17).
(SP=standard play, SLP=super long play).
- 6 **Digital E.I.S.** (page 29).
- 7 **Digital Zoom** (page 28).
- 8 **VCR-MODE**
“VCR-MODE” appears for 1 minute when POWER is set to VCR or if RECORD/PAUSE is pressed in VCR mode.
- 9 **DEW**
If moisture condensation occurs in unit, “WARNING DEW DETECTED” appears, and Camcorder will shut off in 15 seconds. Wait until “WARNING” no longer indicates when Camcorder is turned on to use.
- 10 **MotionSensor** (page 30).
- 11 **Date and Time** (pages 14, 15).
- 12 **Operating Mode**
 - REC (record)
 - PAUSE
 - FF (fast forward)
 - PLAY
 - REW (rewind)
- 13 **Backlight** (page 23).
- 14 **Manual Focus** (page 24).
- 15 **Light ON/OFF/AUTO** (page 16).
- 16 **High Speed Shutter** (page 25).
- 17 **Fade** (page 26).
- 18 **Color Digital Fade** (page 27).

Cleaning EVF (Electronic Viewer Finder)

To Remove



- 1** **A** Remove the screw with a Phillips screwdriver.
Turn counterclockwise.
B Turn the EVF Eyepiece.
C Pull the EVF Eyepiece.
- 2** Remove any lint or dust particles with a soft clean cloth being careful not to scratch the glass surfaces.
- 3** Replace the EVF Eyepiece and the screw.

Notice

This product has a fluorescent lamp that contains a small amount of mercury. It also contains lead in some components. Disposal of these materials may be regulated in your community due to environmental considerations. For disposal or recycling information please contact your local authorities, or the Electronics Industries Alliance: <<http://www.eiae.org>.>

ATTENTION :



A nickel cadmium battery that is recyclable powers the product you have purchased. At the end of its useful life, under various state and local laws, it is illegal to dispose of this battery into your municipal waste stream. Please call 1-800-8-BATTERY for information on how to recycle this battery.

Replacing Clock Battery

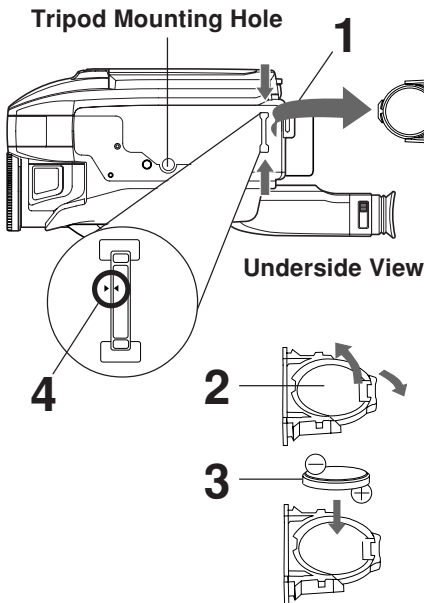
The clock battery is pre-installed. Follow the steps below if replacement becomes necessary.

WARNING:

Replace battery with Panasonic PART NO. VSBW0004 (CR2025) only. Use of another battery may present a risk of fire or explosion.

Caution: Battery may explode if mistreated. Dispose of used battery promptly. Keep away from children. Do not recharge, disassemble or dispose of in fire.

Clock Battery



- 1** While pinching the 2 tabs, pull Battery Tray out.
- 2** Bend middle tab out and remove Battery.
- 3** Snap new Battery (⊕ mark down) into Battery Tray.
 - Do not reverse the polarity.
- 4** Insert Battery Tray so the triangle marks meet.

Note:

- Keep Battery out of children's reach. Swallowing it may be harmful.
- Improper installation, discharge, or missing battery causes "CLOCK BATTERY" to appear.
- Battery life is approximately 5 years.

Palmcorder Accessory System

To order instructions, see the Accessory Order Form page.

- The listed standard battery use times are based on continuous recording using this Palmcorder.

Accessory #	Figure	Description	Price
PV-A20		AC Adaptor with DC Power Cable (Charging of the Nickel Cadmium Battery or Nickel Metal Hydride Battery)	Call For Pricing
HHR-V60A/1B		Up to 6 hr Battery Pack (Rechargeable Nickel Metal Hydride Battery)	\$119.95
HHR-V40A/1B		Up to 4 hr Battery Pack (Rechargeable Nickel Metal Hydride Battery)	\$69.95
HHR-V20A/1B		Up to 2 hr Battery Pack (Rechargeable Nickel Metal Hydride Battery)	\$59.95
PV-AA6		"AA" Battery Case	\$20.00
PV-C16		Car Battery Cord	\$70.00
PV-P1		VHS PlayPak	\$39.95
PV-H18A		Carrying Case	\$49.95

Note:

- Prices subject to change without notice.

For Your Information

Palmcorder Accessory Order Form

Please photocopy this form when placing an order.

1. Palmcorder Model # _____

2. Items Ordered

Accessory #	Description	Price Each	Quantity	Total Price
Subtotal				
Your State & Local Sales Tax				
Shipping & Handling				6.95
Total Enclosed				

3. Method of payment (check one)

- Check or Money Order enclosed (NO C.O.D.SHIPMENTS)
- VISA Credit Card # _____
- MasterCard Expiration Date _____
- Discover Customer Signature _____

Make Check or Money Order to: PANASONIC ACCESSORIES

(Please do not send cash)

4. Shipping information (UPS delivery requires complete street address)

Ship To:

Mr.

Mrs.

Ms.

First _____ Last _____

Phone #:

Day () _____

Street Address _____

Night () _____

City _____ State _____ Zip _____

TO OBTAIN ANY OF OUR PALMCORDER ACCESSORIES YOU CAN DO ANY OF THE FOLLOWING:

VISIT YOUR LOCAL PANASONIC DEALER

OR

CALL PANASONIC'S ACCESSORY ORDER LINE AT 1-800-332-5368

[6 AM-5 PM M-F, 6 AM-10:30 AM SAT, PACIFIC TIME]

OR

MAIL THIS ORDER TO: PANASONIC SERVICES COMPANY ACCESSORY ORDER OFFICE

20421 84th Avenue South Kent, WA. 98032

Specifications

Power Source:	Compact VHS Camcorder: DC 6 V AC Adaptor: 110/120/220/240 V AC, 50/60 Hz Battery: Nickel-Cadmium Type DC 6 V
Power Consumption:	Compact VHS Camcorder: 6V DC 8.5 W (Max. 11.5 W) AC Adaptor: 19 W 1.2 W (when not in use.)
Video Signal:	EIA Standard (525 lines, 60 fields) NTSC color signal
Video Recording System:	2 rotary heads plus flying erase head Helical scanning system
Audio:	1 track
Pick-Up System:	Sequential color difference field reverse system
Pick-Up Device:	One integral color filter Charge Coupled Device (CCD)
Lens:	26:1 zoom lens, F1:1.6 with auto iris control Focal length: 3.8 mm - 98.8 mm 4 speed power zoom function
Viewfinder:	14 mm (0.55 inch) Liquid Crystal Color Electronic Viewfinder
LCD Monitor:	101.6 mm (4.0 inch) Liquid Crystal Display
Minimum Illumination Required:	0.8 lx (F1:1.6) 0.08 footcandles 7 lx (F1:1.6) 0.7 footcandles (EIA Standard)
Operating Temperature:	0 °C~40 °C (32 °F~104 °F)
Operating Humidity:	10 %~75 %
Weight:	Compact VHS Camcorder: 1.00 kg 2.21 lbs. AC Adaptor: 0.3 kg 0.66 lbs.
Dimensions:	Compact VHS Camcorder: 109.5 (W) × 122.5 (H) × 190.5 (D) mm 4-5/16 (W) × 4-13/16 (H) × 7-1/2 (D) inch AC Adaptor: 68 (W) × 41 (H) × 140 (D) mm 2-11/16 (W) × 1-5/8 (H) × 5-1/2 (D) inch

Weight and dimensions shown are approximate.

Designs and specifications are subject to change without notice.

Before Requesting Service

If a problem arises, you may be able to correct it yourself.
See Symptom and Correction list below.

Symptom	Correction
No picture in EVF or LCD monitor ...	<ul style="list-style-type: none">• Connect Power Source. (pp. 9, 10)• Set POWER to VCR or CAMERA. (pp. 17, 20)• Check for Dew Indication. (p. 32)• Use fully charged Battery. (p. 9)• Firmly connect all needed cables. (p. 10)
Video cassette cannot be inserted ...	<ul style="list-style-type: none">• Connect Power Source. (pp. 9, 10)• Insert cassette, window side facing out. (p. 11)
Video cassette cannot be removed ...	<ul style="list-style-type: none">• Connect Power Source. (pp. 9, 10)
Operation buttons do not work ...	<ul style="list-style-type: none">• Check for Dew Indication. (p. 32)
Recording cannot be done ...	<ul style="list-style-type: none">• Make sure record tab is intact. (p. 11)• Check Battery Indicator. (p. 31)• Check for Dew Indication. (p. 32)
Auto Focus does not operate ...	<ul style="list-style-type: none">• Set FOCUS to AUTO. (p. 24)• Set POWER to CAMERA. (p. 17)
Sound from microphone can't be monitored ...	<ul style="list-style-type: none">• Set unit to REC or Record/Pause mode.
Camera picture is too dark ...	<ul style="list-style-type: none">• Set HIGH SPEED SHUTTER to AUTO. (p. 25)
No playback picture, or the playback picture is noisy or contains streaks ...	<ul style="list-style-type: none">• Press UP/DOWN button during playback (Tracking Control). (p.20)
"Panasonic ITS TAPES CAN PLAY IN YOUR VCR ..." appears in EVF or LCD Monitor ...	<ul style="list-style-type: none">• Set POWER to CAMERA, then set SELF DEMO : OFF in MENU screen to cancel Demo mode. (p. 7)
Top of playback picture waves back and forth excessively ...	<ul style="list-style-type: none">• A playback signal is not as stable as an off the air TV signal, so the top of your TV screen may appear bent or unstable during playback. This is called, "Horizontal AFC time constant change." To correct, slowly turn the TV horizontal hold control. If your TV does not have this control, or adjusting it does not help, contact your TV service center. (Some nominal service charges may be required.)

Video Head Cleaning



Clogged Video Head

While head cleaning is normally not needed, playing old or damaged tapes may clog the heads. When playback picture resembles example at the left, head cleaning is required.

Ideally, head cleaning should be performed by a qualified service technician. When this is not possible, purchase a head cleaning cassette. Be sure to follow cleaning cassette instructions exactly and only use when symptoms occur.

Request for Service Notice

Please photocopy this form when making a request for service notice.

Request for Service Notice:

In the unlikely event this product needs service.

- Please include your **proof of purchase.**
(Failure to do so will delay your repair.)
- To further speed your repair please provide an explanation of what is wrong with the unit and any symptom it is exhibiting.

Mail this completed form and your Proof of Purchase along with your unit to:
Panasonic Services Company
1705 N. Randall Road
Elgin, IL. 60123-7847
Attn: Camcorder Repair

Limited Warranty

PANASONIC CONSUMER ELECTRONICS COMPANY,
DIVISION OF MATSUSHITA ELECTRIC
CORPORATION OF AMERICA
One Panasonic Way Secaucus, New Jersey 07094

PANASONIC SALES COMPANY, DIVISION OF MATSUSHITA
ELECTRIC OF PUERTO RICO, INC.,
AVE. 65 de Infantería, Km. 9.5 San Gabriel Industrial Park,
Carolina, Puerto Rico 00985

Panasonic/Quasar Video Products Limited Warranty

Limited Warranty Coverage

If your product does not work properly because of a defect in materials or workmanship, Panasonic Consumer Electronics Company or Panasonic Sales Company (collectively referred to as "the warrantor") will, for the length of the period indicated on the chart below, which starts with the date of original purchase ("warranty period"), at its option either (a) repair your product with new or refurbished parts, or (b) replace it with a new or a refurbished product. The decision to repair or replace will be made by the warrantor.

Product	Parts	Labor	Service	Contact Number
Camcorder	One (1) Year (except CCD Image Sensor)	Ninety (90) Days	Carry-In or Mail-In	1-800-211-PANA(7262)
	CCD Image Sensor - 6 (Six) Months	Ninety (90) Days		
DVD/VCR Deck, A/V Mixer	One (1) Year	Ninety (90) Days	Carry-In or Mail-In	1-800-211-PANA(7262)
TV/VCR, TV/DVD, TV/DVD/VCR Combination	One (1) Year (except CRT)	Ninety (90) Days	Carry-In: 21" CRT and Smaller In-Home or Carry-In: 22" CRT and Larger	1-800-211-PANA(7262)
	CRT - Two (2) Years	Ninety (90) Days		
TV/HDR Combination	One (1) Year (except CRT)	Ninety (90) Days	In-Home or Carry-In	1-888-843-9788
	CRT - Two (2) Years	Ninety (90) Days		
Rechargeable Batteries (in exchange for defective item)	Ten (10) Days	Not Applicable	Carry-In or Mail-In	1-800-211-PANA(7262)
Tape (in exchange for defective item)	Five (5) Days	Not Applicable	Carry-In or Mail-In	1-800-211-PANA(7262)
Memory Cards (in exchange for defective item)	Ninety (90) Days	Not Applicable	Carry-In or Mail-In	1-800-211-PANA(7262)

During the "Labor" warranty period there will be no charge for labor. During the "Parts" warranty period, there will be no charge for parts. You must carry-in or mail-in your product or arrange for in-home service, as applicable, during the warranty period. If non-rechargeable batteries are included, they are not warranted. This warranty only applies to products purchased and serviced in the United States or Puerto Rico. This warranty is extended only to the original purchaser of a new product which was not sold "as is". A purchase receipt or other proof of the original purchase date is required for warranty service.

Carry-In, Mail-in or In-Home Service

For Carry-In, Mail-In or In-Home Service (as applicable) in the United States call toll free contact number listed above or visit Panasonic Web Site: <http://www.panasonic.com>

For assistance in Puerto Rico call Panasonic Sales Company (787)-750-4300 or fax (787)-768-2910.

In-Home service, if applicable, requires clear, complete and easy access to the product by the authorized servicer and does not include removal or re-installation of an installed product. It is possible that certain in-home repairs will not be completed in-home, but will require that the product, or parts of the product, be removed for shop diagnosis and/or repair and then returned.

Limited Warranty Limits And Exclusions

This warranty ONLY COVERS failures due to defects in materials or workmanship, and DOES NOT COVER normal wear and tear or cosmetic damage, nor does it cover markings or retained images on the picture tube resulting from viewing fixed images (including, among other things, letterbox pictures on standard 4:3 screen TV's, or non-expanded standard 4:3 pictures on wide screen TV's, or onscreen data in a stationary and fixed location). The warranty ALSO DOES NOT COVER damages which occurred in shipment, or failures which are caused by products not supplied by the warrantor, or failures which result from accidents, misuse, abuse, neglect, mishandling, misapplication, alteration, faulty installation, set-up adjustments, misadjustment of consumer controls, improper maintenance, power line surge, lightning damage, modification, or commercial use (such as in a hotel, office, restaurant, or other business), rental use of the product, service by anyone other than a Factory Servicenter or other Authorized Servicer, or damage that is attributable to acts of God.

THERE ARE NO EXPRESS WARRANTIES EXCEPT AS LISTED UNDER "LIMITED WARRANTY COVERAGE". THE WARRANTOR IS NOT LIABLE FOR INCIDENTAL OR CONSEQUENTIAL DAMAGES RESULTING FROM THE USE OF THIS PRODUCT, OR ARISING OUT OF ANY BREACH OF THIS WARRANTY. (As examples, this excludes damages for lost time, cost of having someone remove or re-install an installed unit if applicable, or travel to and from the servicer, loss of media or images, data or other memory or recorded content. The items listed are not exclusive, but are for illustration only.) **ALL EXPRESS AND IMPLIED WARRANTIES, INCLUDING THE WARRANTY OF MERCHANTABILITY, ARE LIMITED TO THE PERIOD OF THE LIMITED WARRANTY.**

Some states do not allow the exclusion or limitation of incidental or consequential damages, or limitations on how long an implied warranty lasts, so the exclusions may not apply to you.

This warranty gives you specific legal rights and you may also have other rights which vary from state to state. If a problem with this product develops during or after the warranty period, you may contact your dealer or Servicenter. If the problem is not handled to your satisfaction, then write to the warrantor's Consumer Affairs Department at the addresses listed for the warrantor.

PARTS AND SERVICE (INCLUDING COST OF AN IN-HOME SERVICE CALL, WHERE APPLICABLE) WHICH ARE NOT COVERED BY THIS LIMITED WARRANTY ARE YOUR RESPONSIBILITY.

40

For assistance, please call : 1-800-211-PANA(7262) or send e-mail to : consumerproducts@panasonic.com

Customer Services Directory

*For Product Information, Operating Assistance, Literature Request, Dealer Locations, and all Customer Service inquiries please contact:
1-800-211-PANA (7262), Monday-Friday 9 am-9 pm; Saturday-Sunday 10 am-7 pm, EST.
or send e-mail : consumerproducts@panasonic.com
For hearing or speech impaired TTY users, TTY : 1-877-833-8855*

*Web Site: <http://www.panasonic.com>
You can purchase parts, accessories or locate your nearest servicer by visiting our Web Site.*

Accessory Purchases:

1-800-332-5368 (Customer Orders Only)
For hearing or speech impaired TTY users, TTY : 1-866-605-1277
Panasonic Services Company 20421 84th Avenue South, Kent, WA 98032
(Monday-Friday 6 am-5 pm; Saturday 6 am-10:30 am, PST)
(Visa, MasterCard, Discover Card, American Express, Check)

Product Repairs

Centralized Factory Servicer

MAIL TO :

Panasonic Services Company
1705 N. Randall Road,
Elgin, IL 60123-7847
Attention: Camcorder Repair

Please carefully pack and ship, prepaid and insured, to the Elgin Centralized Factory Servicer.
Customer's in Puerto Rico, please ship or carry in to location below ("Service in Puerto Rico").

Service in Puerto Rico

Matsushita Electric of Puerto Rico, Inc. Panasonic Sales Company/ Factory Servicer:
Ave. 65 de Infanteria. Km. 9.5, San Gabriel Industrial Park, Carolina, Puerto Rico 00985
Phone (787) 750-4300 Fax (787) 768-2910

As of August 2002

Index

- A**
AC Adaptor 10
Accessories (Optional) 35
Accessories (Supplied) 2
Audio/Video Cable 21, 22
Audio/Video Out 21, 22
Auto Daylight Saving Time ... 15
- B**
Backlight 23
Battery Pack 9, 10
BATTERY RELEASE Button .. 9
Before Requesting Service .. 38
B.LIGHT Button 23
BRIGHT ADJUSTMENT . 17, 20
Built-in Auto Light 16
Built-in Microphone 17
- C**
Camera Recording 17~19
Car Battery Cord 10
Cassette Information 11
Charging Battery 9
Cleaning EVF 33
Clock Battery 34
Clock Set 14, 15
Copying your Tapes 22
Customer Servicenter
Directory 41
- D**
DC IN 10
DC Power Cable 10
Digital E.I.S. 29
Digital Zoom 28
DISPLAY Button 13, 20, 31
Display-off Mode 31
D.ZOOM Button 28
- E**
EIS Button 29
- F**
Fade 26, 27
FADE Button 26, 27
FAST FORWARD/SEARCH
Button 20
Focus 24
- H**
Hand Strap 12
High Speed Shutter 25
- L**
LCD Monitor 17, 20
LCD-OPEN Button 17, 20
Lens Cap 12
LIGHT Switch 16
Limited Warranty 40
- M**
MENU Button 13
MENU Mode 13
M.FOCUS Button 24
MotionSensor 30
- P**
PLAY Button 20
Playback 20, 21
PlayPak 21
Power Supply 9, 10
POWER Switch 7, 17, 20
POWER ZOOM Button
..... 23, 24, 28
Programmed Recording 19
- Q**
Quick Operation Guide 8
- R**
RECORD/PAUSE Button 17
Record/Playback Time 11
Replacing Clock Battery 34
Request for Service Notice .. 39
REWIND/SEARCH Button ... 20
- S**
Safety Precautions 3
Self Demo Mode 7
Shoulder Strap 12
Speaker 20
Special Effects 20
Specifications 37
STILL Button 20
Still Picture 20
STOP Button 20
- T**
Tab 11
TAPE EJECT Switch 11, 17
TAPE SPEED Button 17
Tracking Control 20
Tripod Mounting Hole 34
- U**
UP (FAR) / DOWN (NEAR)
Button 13, 20, 24
- V**
VHF Connecting Cable 22
Video Cassettes (tapes) 11
Video Head Cleaning 38
Viewfinder/LCD Monitor
Indications 31~32
Viewing (TV/VCR) 21
VISION ADJUSTMENT 17
VOLUME 20
- Z**
Zoom 23, 28

Panasonic Consumer Electronics Company,
Division of Matsushita Electric Corporation of America
One Panasonic Way Secaucus, New Jersey 07094

Panasonic Sales Company ("PSC"),
Division of Matsushita Electric of Puerto Rico, Inc.
Ave. 65 de Infanteria, Km. 9.5 San Gabriel Industrial Park Carolina,
Puerto Rico 00985



Printed in Indonesia
LSQT0708A
S0203-0

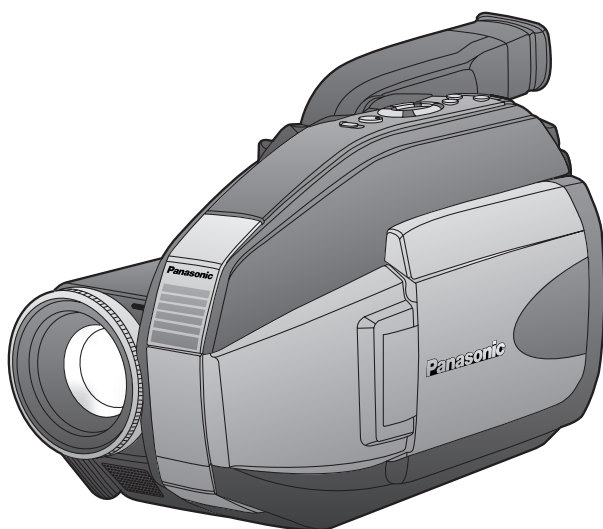
Palmcorder® Camcorder

Panasonic®



Videocámara
Manual de instrucciones

Núm. de modelo **PV-L552H**



Lea detenidamente estas instrucciones antes de usar el producto, y conserve este manual para futuras consultas.

Para solicitar ayuda, por favor llame al: 1-800-211-PANA(7262) o envíe un correo electrónico a: consumerproducts@panasonic.com

LSQT0708A

Antes de comenzar

Operación básica

Funciones especiales

Para su información

Cosas que usted debe saber

¡Gracias por haber elegido Panasonic!

Usted ha adquirido uno de los productos más sofisticados y confiables actualmente disponibles en el mercado. Si es usado en forma correcta, estamos seguros que le brindará muchos años de satisfacción.

Tómese un tiempo para llenar el cuadro de la derecha. El número de serie está en la etiqueta situada en la parte trasera de su Videocámara. Asegúrese de **conservar este manual** como fuente de información sobre su Palmcorder.

Fecha de compra

Comprada a (distribuidor)

Dirección del distribuidor

Núm. telefónico del distribuidor

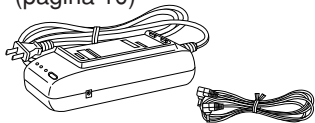
Núm. de modelo

Núm. de serie

Desembalaje de la Palmcorder

Los siguientes accesorios incluidos son para la configuración o uso de su Palmcorder.

1 unidad. Adaptador de ca (PV-A20) con cable de alimentación de cc (página 10)



1 unidad. Cable de audio/vídeo (LSJA0390) (páginas 21 y 22)



1 unidad. Batería (PV-BP18) (páginas 9 y 10)



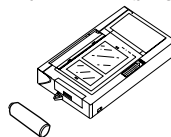
1 unidad. Correa para el hombro (LSFC0012) (página 12)



1 unidad. pila de reloj CR2025 (VSBW0004) (instalada en la Palmcorder) (página 34)



1 unidad. PlayPak VHS (PV-P1/VYMW0009) y una pila "AA" (página 21)



1 unidad. Tapa del objetivo (LSYK0817) con su cordón (LSGQ0049) (página 12)



Cosas que usted debe saber




Precauciones para su seguridad

ADVERTENCIA : PARA EVITAR INCENDIOS Y DESCARGAS ELÉCTRICAS, NO EXPONGA ESTE EQUIPO A LA LLUVIA NI A LA HUMEDAD.

Su cámara compacta Palmcorder VHS ha sido diseñada para grabar y reproducir en modo de reproducción normal (SP) y modo de reproducción de larga duración (SLP). Usted también podrá reproducir una grabación efectuada en la Palmcorder VHS compacta en su videograbador usando el PlayPak VHS incluido.

Esta Palmcorder ha sido equipada con el sistema **HQ** para producir excelentes imágenes de vídeo, y es compatible con equipos VHS comunes.

Le recomendamos usar solamente videocassettes que hayan sido probados y revisados para uso en videograbadores, provistos de la marca **VHS®** y/o **VHS**.

	PRECAUCIÓN RIESGO DE DESCARGA ELÉCTRICA NO ABRIR			Este símbolo tiene por finalidad alertar al usuario acerca de la presencia de tensión sin aislación en el interior del producto, que puede tener la intensidad suficiente como para causar descargas eléctricas. Por lo tanto, hacer contacto con cualquier pieza en el interior de la unidad es peligroso.
<p>PRECAUCIÓN: PARA REDUCIR EL RIESGO DE DESCARGA ELÉCTRICA, NO quite la CUBIERTA (O PARTE POSTERIOR). EL APARATO NO TIENE EN SU INTERIOR PIEZAS QUE PUEDAN SER REPARADAS POR EL USUARIO. SOLICITE TODA REPARACIÓN A PERSONAL DE SERVICIO CUALIFICADO.</p>				Este símbolo tiene por finalidad alertar al usuario de la presencia de importantes instrucciones de operación y mantenimiento en la literatura incluida con la unidad. Por lo tanto, lea detenidamente la literatura incluida para evitar problemas.

Las marcas que se muestran arriba se encuentran en la cubierta inferior del aparato.

Advertencia del FCC: Cualquier cambio sin autorización o modificaciones a este equipo anularían la autoridad del usuario para operarlo.

Este dispositivo cumple con la parte 15 de las Reglas del FCC. El funcionamiento está sujeto a las dos siguientes condiciones: (1) Este dispositivo puede no causar interferencias perjudiciales, y (2) este dispositivo debe aceptar cualquier interferencia recibida, incluyendo interferencias que pueden causar un funcionamiento no deseado.

Nota: Este equipo ha sido puesto a prueba y se encontró que cumple con la Parte 15 y la parte 18 de las reglas del FCC.

Estos límites están diseñados para proveer una protección razonable contra interferencias cuando se opera en un ambiente residencial.

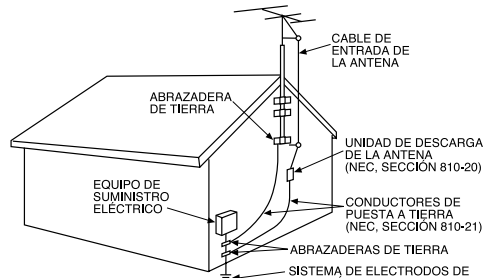
Si este equipo causa interferencias en la recepción de radio o televisión, lo cual se puede comprobar al apagar y encender el equipo, utilice el equipo en otra ubicación y/o utilice un tomacorriente diferente al que está utilizando el receptor.

Si es necesario, consulte con el distribuidor o un técnico experto de radio/TV para solicitar ayuda. Puede encontrar útil el folleto 'Información sobre las interferencias' disponible en las oficinas regionales del FCC local.

Este producto puede causar interferencias a equipos de radio y no se debe instalar cerca de equipos de comunicación de seguridad marítima u otros equipos de navegación críticos o de comunicación que operen entre los 0,45-30 MHz.

Importante para su seguridad

- 1. Lea las instrucciones** — Antes de usar la unidad, lea detenidamente todas las instrucciones de seguridad y operación.
- 2. Conserve este manual de instrucciones** — Conserve las instrucciones de seguridad y operación para consultas futuras.
- 3. Respete las advertencias** — Observe estrictamente todas las advertencias impresas en el aparato y las incluidas en el manual de instrucciones.
- 4. Siga las instrucciones** — Siga todas las instrucciones de operación y mantenimiento.
- 5. Limpieza** — Desconecte esta unidad de vídeo del tomacorriente mural antes de limpiarla. No use limpiadores líquidos ni aerosol. Use un paño seco para la limpieza.
- 6. Enchufes** — No use enchufes no recomendados por el fabricante del producto de vídeo, ya que esto podría ser peligroso.
- 7. Agua y humedad** — No use esta unidad de vídeo cerca del agua — por ejemplo, cerca de una bañera o lavamanos, cerca del fregadero de la cocina o lavandería, en un piso mojado, o cerca de una piscina.
- 8. Accesorios** — No instale esta unidad de vídeo en un carro, soporte, trípode o mesa inestables. La unidad de vídeo podría caerse, causando serias lesiones a un niño o adulto, y resultando también severamente dañada. Úsela sólo en un carro, soporte, trípode o mesa recomendado por el fabricante, o vendido con la unidad de vídeo. Toda instalación deberá hacerse siguiendo las instrucciones del fabricante y usando los accesorios de montaje recomendados por el mismo. Cualquier combinación de aparato y carro deberá ser movida con cuidado. Las detenciones bruscas, la fuerza excesiva y las superficies dispares pueden hacer que el aparato y el carro se vuelquen.
- 9. Ventilación** — El gabinete tiene ranuras y aberturas de ventilación que garantizan la operación confiable de la unidad de vídeo, protegiéndola contra recalentamiento. Estas aberturas no deben ser bloqueadas o cubiertas. Nunca sitúe la unidad de vídeo encima de una cama, sofá, alfombra u otra superficie similar, o cerca de un radiador o calefactor. Tampoco instale la unidad de vídeo en un mueble empotrado, como ser una repisa para libros o bastidor, a menos que se pueda garantizar una ventilación adecuada, o cuando las instrucciones del fabricante así lo especifiquen.
- 10. Fuentes de alimentación** — Esta unidad de vídeo deberá ser conectada a una fuente de alimentación del tipo descrito en la etiqueta indicadora. Si no está seguro del tipo de fuente de alimentación que tiene en su casa, consulte a su distribuidor o a la compañía de electricidad local. En el caso de unidades de vídeo diseñadas para funcionar a batería o con otras fuentes de alimentación, consulte el manual de instrucciones respectivo.
- 11. Conexión a tierra o polarización** — Esta unidad de vídeo puede estar equipada con una clavija polarizada de ca (corriente alterna) de 2 alambres (una clavija que tiene una espiga más ancha que la otra) o con una clavija de 3 alambres para conexión a tierra, una clavija que tiene una tercera espiga (de conexión a tierra). La clavija polarizada de 2 alambres solamente puede ser insertada en el tomacorriente en una dirección. Esta es una medida de seguridad. Si no pudiera insertar completamente la clavija en el tomacorriente, vuelva a intentarlo invirtiendo la clavija. Si aún no fuera posible insertar la clavija, tome contacto con un electricista para que reemplace su tomacorriente obsoleto. No modifique las características de seguridad de la clavija polarizada. La clavija de 3 alambres para conexión a tierra sólo podrá ser insertada en un tomacorriente con conexión a tierra. Esta es una medida de seguridad. Si no pudiera insertar la clavija en el tomacorriente, tome contacto con un electricista para que reemplace su tomacorriente obsoleto. No modifique las características de seguridad de la clavija de conexión a tierra.
- 12. Protección del cable de alimentación** — Los cables de alimentación deberán ser tendidos de manera tal que la probabilidad de que sean pisados o aplastados por otros objetos sea mínima. Preste especial atención a las clavijas de los cables, a los receptáculos, y al punto por donde salen de la unidad.
- 13. Conexión a tierra de la antena exterior** — Si conecta una antena exterior o sistema de cable a la unidad de vídeo, asegúrese de conectar a tierra la antena o el sistema de cable para tener una cierta protección contra alzas repentinas de tensión y cargas de electricidad estática. La Parte 1 del Código Eléctrico Canadiense, en la Sección 810 del Código Nacional de Electricidad, entrega información acerca de la manera correcta de conectar a tierra el mástil y la estructura soportante, puesta a tierra del alambre de entrada a una unidad de descarga de antena, tamaño de los conductores de puesta a tierra, localización de la unidad de descarga de la antena, conexión a los electrodos de tierra, y requisitos para el electrodo de tierra.



NEC — CÓDIGO NACIONAL DE ELECTRICIDAD

- 14. Tormentas eléctricas** — Como medida adicional de protección de esta unidad de vídeo durante tormentas eléctricas, o cuando la unidad permanezca sin uso durante períodos prolongados de tiempo, desconéctela del tomacorriente mural y desconecte la antena o sistema de cable. Esto evitará que la unidad de vídeo resulte dañada por tormentas eléctricas o sobretensiones en la línea de alimentación.

Importante para su seguridad

15. **Líneas de alimentación** — Un sistema de antena exterior no deberá ser instalado en la cercanía de líneas de alimentación aéreas ni de otros circuitos de iluminación eléctrica o alimentación, o donde pueda caerse y hacer contacto con tales líneas o circuitos. Al instalar un sistema de antena exterior, tenga mucho cuidado de no tocar tales líneas o circuitos de alimentación, ya que el contacto con ellos podría ser fatal.
16. **Sobrecarga** — No sobrecargue los tomacorrientes murales ni los cables de extensión, ya que esto podría causar incendios o descargas eléctricas.
17. **Entrada de objetos y líquidos** — Nunca introduzca objetos de ningún tipo por las aberturas de la unidad de vídeo, ya que podría tocar peligrosos puntos de alta tensión o causar cortocircuitos, lo que a su vez podría resultar en incendios o descargas eléctricas. Nunca derrame ningún tipo de líquido sobre la unidad.
18. **Servicio** — No intente reparar la unidad de vídeo usted mismo; al abrir o retirar las cubiertas usted se expondrá a alta tensión y a otros peligros. Solicite todo servicio a personal cualificado.
19. **Daños que requieran servicio** — En los siguientes casos, desconecte la unidad de vídeo del tomacorriente mural y llame a un técnico de servicio cualificado:
 - a. Cuando el cable o la clavija de alimentación estén dañados.
 - b. Si se ha derramado líquido sobre la unidad, o si algún objeto ha caído dentro del aparato.
 - c. Si la unidad de vídeo ha sido expuesta a la lluvia o al agua.
 - d. Cuando a pesar de haber seguido las instrucciones de operación, la unidad de vídeo no funcione normalmente. Ajuste solamente los controles indicados en el manual de instrucciones; el ajuste incorrecto de otros controles podrá causar daños a la unidad de vídeo, la que por lo general requerirá de un prolongado trabajo de reparación (por un técnico cualificado) para que sus condiciones normales de operación puedan ser restablecidas.
 - e. Si la unidad de vídeo se ha caído o si el gabinete se ha dañado.
 - f. Cuando la unidad de vídeo muestre un cambio notorio en su rendimiento — esto indica necesidad de servicio.
20. **Piezas de repuesto** — Cuando sea necesario reemplazar piezas, asegúrese de que el técnico use las piezas de repuesto especificadas por el fabricante, o piezas con las mismas características que la pieza original. Los cambios no autorizados pueden resultar en incendios, descargas eléctricas y otros daños.
21. **Comprobación de seguridad** — Al finalizar cualquier trabajo de mantenimiento o reparación de esta unidad de vídeo, solicítele al técnico que efectúe comprobaciones de seguridad para determinar si la unidad se encuentra o no en condiciones óptimas de operación.

Precauciones

USO Y UBICACIÓN

- **PARA EVITAR RIESGO DE DESCARGAS ...** No exponga la cámara/grabadora y la fuente de alimentación a la lluvia ni a la humedad. No conecte la fuente de alimentación ni utilice la cámara/grabadora si están mojadas. Su cámara/grabadora ha sido diseñada para uso al aire libre; sin embargo, no ha sido diseñada para resistir la exposición directa al agua, lluvia, aguanieve, nieve, arena, polvo o salpicaduras directas de una piscina o incluso de una taza de café. La exposición a estos elementos podría dañar permanentemente las piezas internas de su cámara/grabadora. No intente desarmar esta unidad. La unidad no tiene en su interior piezas que puedan ser reparadas por el usuario. Desconecte la cámara/grabadora de la fuente de alimentación antes de limpiarla.
- **NO APUNTE LA CÁMARA/GRABADORA HACIA EL SOL O HACIA OTROS OBJETOS LUMINOSOS.**
- **NO DEJE LA PALMOCORDER CON EL EVF APUNTANDO DIRECTAMENTE HACIA EL SOL, YA QUE ESTO PODRÍA CAUSAR DAÑOS A LAS PIEZAS INTERNAS DEL EVF.**
- **NO EXPONGA LA CÁMARA/GRABADORA A ALTAS TEMPERATURAS POR PERÍODOS PROLONGADOS ...** En lugares expuestos a la lámpara directa del sol, dentro de un automóvil cerrado, cerca de un calefactor, etc. Esto podría dañar permanentemente las piezas internas de su cámara/grabadora.
- **EVITE LOS CAMBIOS REPENTINOS DE TEMPERATURA ...** Si la unidad es trasladada repentinamente desde un lugar frío a uno caluroso, podrá producirse la condensación de humedad en la cinta y en las piezas internas de la unidad.
- **NO DEJE ENCENDIDA LA CÁMARA/GRABADORA O LA FUENTE DE ALIMENTACIÓN CUANDO NO ESTÉN EN USO.**
- **ALMACENAMIENTO DE LA CÁMARA/GRABADORA ...** Almacene y manipule su cámara/grabadora en una forma tal que no la someta a movimientos innecesarios (evite sacudidas y golpes). Su cámara/grabadora contiene un dispositivo transductor sensible que puede dañarse con una manipulación o almacenamiento inadecuados.

CUIDADO

- **LIMPIEZA DE LA CÁMARA/GRABADORA ...** No use detergentes fuertes o abrasivos para limpiar el cuerpo de la cámara/grabadora.
- **PROTECCIÓN DEL OBJETIVO ...** No toque la superficie del objetivo con la mano. Para limpiar el objetivo, use un líquido limpiador especial y papel para objetivo (a la venta en el comercio). Una limpieza incorrecta puede rayar el revestimiento del objetivo.
- **PARA PROTEGER EL ACABADO DE SU CÁMARA/GRABADORA ...** Antes de usar la cámara/grabadora, asegúrese de que sus manos y cara estén libres de productos químicos tales como lociones de bronceado; estos productos pueden dañar el acabado de la unidad.

Contenido

Antes de comenzar

Cosas que usted debe saber	2~3
Importante para su seguridad	4~5
Precauciones	5
Modo de demostración	7
Guía de operación rápida	8
Suministro de energía (Carga de la batería/Uso/Refresco/Cuidado, Adaptador de ca, Cable para batería de automóvil)	9~10
Información referente a los cassettes	11
Antes de Comenzar (Uso de la correa para el hombro, Tapa del objetivo)	12
Utilización del modo MENU	13
Ajuste del reloj (Zona horaria, Cambio automático a horario de verano)	14~15
Lámpara automática incorporada (Utilización de la lámpara, Reemplazo de la bombilla) ..	16

Operación básica

Grabación con la cámara (Grabación básica, en modo de espera, programada)	17~19
Reproducción de sus grabaciones (Reproducción básica, Búsqueda visual, Imagen detenida, Alineación, Reproducción en TV/VCR)	20~21
Copia de cintas	22

Funciones especiales

Zoom motorizado de cuatro velocidades	23
Función de contraluz	23
Enfoque (Enfoque automático/manual)	24
Obturador de alta velocidad (Obturador automático/manual)	25
Desvanecimiento Automático	26
Desvanecimiento digital a color	27
Zoom Digital	28
Sistema electrónico digital de estabilización de imagen	29
Sensor de Movimiento	30

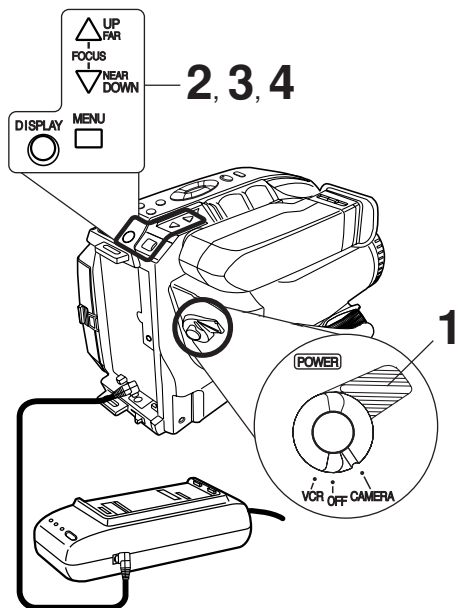
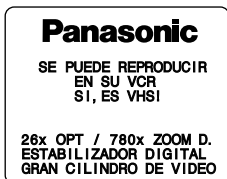
Para su información

Indicaciones en el visor electrónico/monitor LCD	31~32
Notas sobre el funcionamiento (Limpieza del EVF)	33
Notificación	33
Cambio de la Pila del Reloj	34
Sistema de Accesorio del Palmcorder	35
Formulario para pedido de accesorios	36
Especificaciones	37
Antes de solicitar servicio (Limpieza de las cabezas de vídeo)	38
Solicitud de servicio	39
Garantía Limitada	40
Lista de centros de servicio al cliente	41
Índice	42

Modo de demostración

El modo Self Demo se encuentra activado cuando aparece la pantalla al siguiente. Para apagarlo, siga los pasos 1-4 a continuación.

Monitor LCD o EVF



Antes de comenzar...

- Conecte la Palmcorder a una fuente de alimentación.

1 Ajuste POWER a CAMERA.

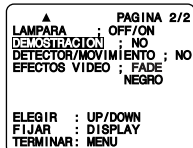
2 Presione MENU

para acceder al modo MENU.

Presione UP o

DOWN para seleccionar

DEMOSTRACION.



3 Presione DISPLAY para seleccionar NO.

4 Presione MENU para salir del modo MENU.

Nota:

- La Auto-Demostración se desconecta automáticamente si se coloca la batería (página 9) y se introduce la cinta de cassette (página 11).
- Si se inserta una cinta sola (o se coloca una batería parcialmente cargada) la Auto-Demostración se detendrá sólo temporalmente.
- El modo Self Demo se detiene durante 30 segundos cuando se presiona Light.

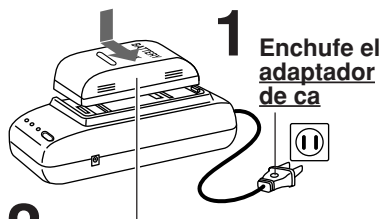
Para volver a activar la Auto-Demostración.

- Ajuste a DEMOSTRACION : SI en la pantalla de MENU.

Guía de operación rápida

Carga de la batería

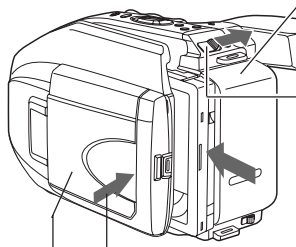
Cargue la batería completamente antes de usar la unidad (página 9).



1 Enchufe el **adaptador de ca**

2 Introduzca **la batería**.
La lámpara **CHARGE** parpadea y luego permanece encendida una vez que la carga ha finalizado.

Inserte el cassette



1 Coloque firmemente **la batería cargada**. (página 9).

2 Deslice **TAPE EJECT** para abrir la puerta.

3 Inserte el **cassette** (página 11).

4 Presione aquí para cerrar la puerta.

Membrana protectora

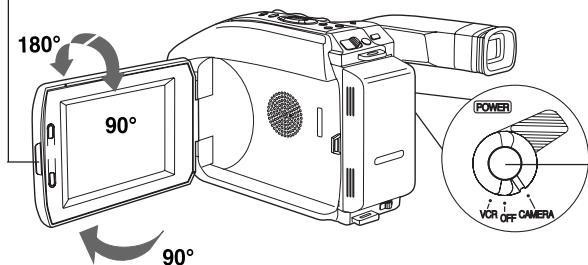
Nota:

• Retire la membrana protectora antes de usar el aparato.

Grabación con la cámara

Cuando el monitor LCD se encuentra abierto, el EVF se apaga automáticamente (página 17).

1 Presione **LCD-OPEN** para abrir el monitor LCD. Abra completamente y ajuste el ángulo.



2 Ajuste **POWER** a **CAMERA**.

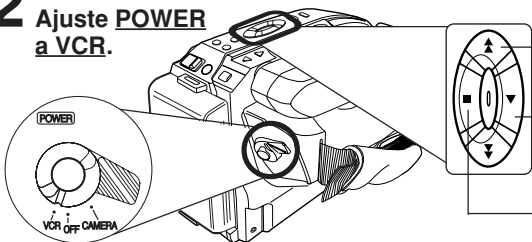
3 Presione **RECORD/PAUSE** para iniciar la grabación. Presione **RECORD/PAUSE** otra vez para hacer una **pausa** en la grabación.

Reproducción usando el monitor LCD

Cuando el monitor LCD se encuentra abierto, el EVF se apaga automáticamente (página 20).

1 Presione **LCD-OPEN** para abrir el monitor LCD. Abra completamente y ajuste el ángulo (ver arriba).

2 Ajuste **POWER** a **VCR**.



3 Presione **REWIND/SEARCH** para rebobinar la cinta.

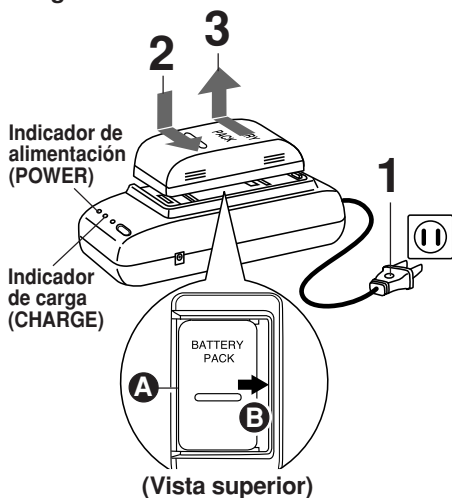
4 Presione **PLAY** para iniciar la reproducción.

5 Presione **STOP** para detener la reproducción.

Suministro de energía

Carga de la batería

Cargue la batería antes de utilizarla.



- 1 Enchufe el adaptador de ca**
El indicador de alimentación (POWER) se iluminará.
- 2 Instale la batería.**
 - A** Alinee el lado izquierdo de la batería con el borde izquierdo del adaptador de ca
 - B** Presione la batería y deslícela en la dirección indicada por la flecha.

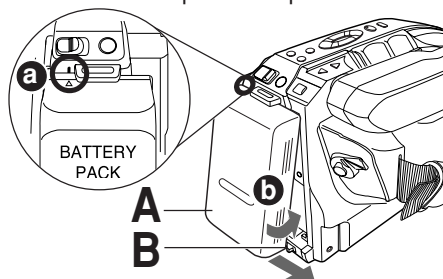
La lámpara CHARGE parpadea y luego permanece encendida una vez que la carga ha finalizado.
- 3 Retire la batería.**
Deslice la batería hacia la izquierda y levántela para retirarla.

Nota:

- La carga tarda aproximadamente una hora y media.
- No es posible cargar la batería mientras el cable de alimentación de cc (incluido) está conectado al adaptador de ca
- Después de cargar la batería 5 veces, use la función de Refresco de la batería como se explica a continuación.
- La vida útil de la batería disminuye después de repetidos usos y recargas. Si el tiempo de funcionamiento es muy breve incluso después de una carga suficiente, deseche la batería en la manera adecuada (páginas 10, 33).

Uso de la batería

Una batería cargada totalmente proporciona un máximo de 2 horas de uso continuado (con el monitor LCD desactivado) o alrededor de 1 hora y media (con el monitor LCD activado). El tiempo exacto puede variar según sean las condiciones de funcionamiento. El uso de la lámpara incorporada disminuye el tiempo de funcionamiento.



- A Instale la batería.**
 - a** Inserte la parte superior de la batería en la parte superior de la superficie de montaje.
 - b** Presione hasta que un chasquido le indique que está colocada correctamente en su sitio.
- B Retire la batería.**
Deslice **BATTERY RELEASE** y retire la batería.

Refresco de la batería

Esta función descarga completamente la batería antes de iniciar la operación de recarga. Para un rendimiento óptimo de la batería utilice esta función después de cada 5 cargas aproximadamente.



Para usar la función de refresco de la batería, inserte la batería en el adaptador de ca (vea los pasos 1~2 anteriores) y presione **BATTERY REFRESH.**

La lámpara REFRESH se iluminará y luego se apagará cuando la descarga haya finalizado. Luego, la carga de la batería comenzará automáticamente.

Si se presiona por error **BATTERY REFRESH**, extraiga la batería del adaptador y vuelva a instalar para disponer de una carga normal.

Nota:

- La operación de carga tarda unas 7 horas y media cuando se utiliza la función refresco de batería.
- La batería no funcionará con temperaturas extremadamente altas.

Suministro de energía

Cuidado de la batería

Precaución:

- Use sólo el cargador especificado para cargar la batería.
- La batería puede ser cargada dentro de una gama de temperaturas de 50° F (10° C) a 95° F (35° C).
- La batería puede calentarse durante la operación de carga o con el uso.
- No use una batería insuficientemente cargada o desgastada.

Precauciones para su seguridad:

- No acerque ni deseche la batería en el fuego.
- No conecte directamente (cortocircuito) los terminales positivo (+) y negativo (-).
- Nunca intente desarmar o rearmar la batería.

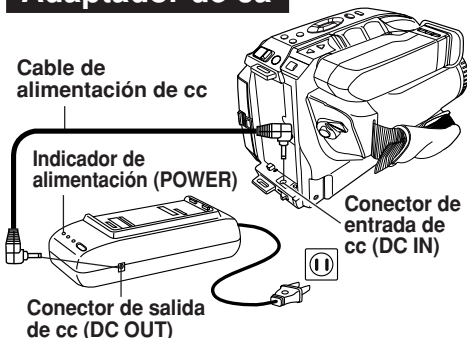
Para evitar daños a la batería:

- No deje caer ni sacuda la batería.
- Use la batería solamente en las unidades especificadas.
- Si la batería es usada en temperaturas extremadamente altas, un dispositivo de seguridad impedirá automáticamente su funcionamiento.

Para prolongar la vida útil de la batería:

- Cuando no esté en uso, retire la batería de la Palmcorder y del adaptador de ca, y guárdela en un lugar fresco, oscuro y seco.
- Mantenga limpios los terminales de la batería.

Adaptador de ca



- 1 Conecte la salida DC OUT del adaptador de ca a la entrada DC IN de la cámara de video** con el cable de alimentación de cc incluido.

- 2 Enchufe el adaptador de ca**
El indicador de alimentación (POWER) se iluminará.

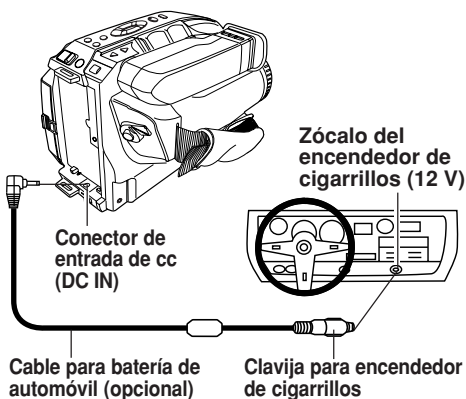
Nota:

- No es posible cargar la batería mientras el cable de alimentación de cc (incluido) está conectado al adaptador de ca.
- Cuando no se utilice, desenchufe el adaptador de ca de la toma de red general de alimentación (El adaptador consume 1,2 W de electricidad mientras está enchufado).

PRECAUCIÓN:

Esta unidad funciona a 50/60 Hz y 110/120/220/240 V ca. Para las tensiones que no sean 120 V ca puede ser necesario un adaptador ca. Póngase en contacto con el distribuidor de artículos de electricidad local o extranjero para que le ayude en la selección de un conector ca alternativo. Le recomendamos utilizar el adaptador del enchufe de alimentación accesorio (VJSS0070/K2DB42E00001) en un lugar donde existan tomas ca especiales.

Cable para batería de automóvil (opcional)



- 1 Conecte un cable para batería de automóvil PV-C16 (opcional) al conector de entrada de cc (DC IN) de la Palmcorder.**

- 2**
 - A Arranque el automóvil primero.**
 - B Conecte el cable para batería de automóvil en la toma del encendedor.**

- Si fuera necesario cambiar el fusible del cable para batería de automóvil, utilice la corriente nominal exacta (en amperios).

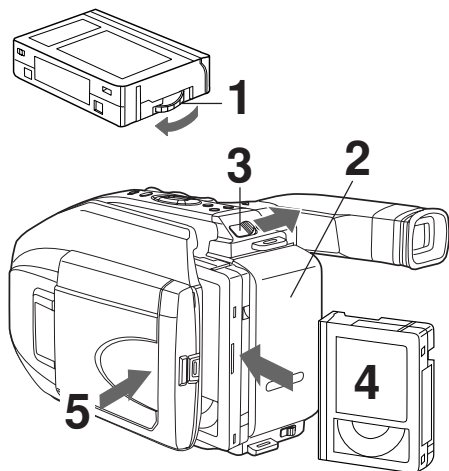
Nota:

- Este cable sólo funciona en vehículos equipados con **batería de 12 voltios cc (toma a tierra negativa)**. Consulte con su distribuidor de coches/camiones. Utilice sólo el cable para batería de automóvil especificado.
- Para evitar quemar el fusible del cable para batería de automóvil, lleve a cabo el paso 2 en el orden correcto.
- Los vehículos en marcha deben estar bien ventilados.
- Cuando no se utilice, desconecte el conector del encendedor.
- Por seguridad personal, el conductor del vehículo, no debe intentar hacer funcionar la cámara de video mientras conduce.

Información referente a los cassettes

Antes de comenzar

Inserción/extracción del cassette



- 1 Gire la **rueda del cassette** en la dirección de la flecha hasta eliminar la flojedad de la cinta.
- 2 Instale la **batería** (página 9).
- 3 Deslice **TAPE EJECT** para abrir la puerta.
- 4 Inserte **el cassette tal como se indica**.
- 5 Presione aquí para cerrar la puerta.

• Para extraer el cassette, deslice **TAPE EJECT**.

Tiempo de grabación/reproducción

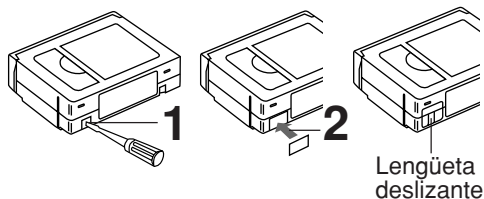
Use cassettes provistas de la marca **VHSC** en esta unidad.

Posición del selector de velocidad de cinta	Tipo de cassette		
	TC-20	TC-30	TC-40
SP (reproducción normal)	20 minutos	30 minutos	40 minutos
SLP (reproducción de larga duración)	1 hora	1 hora 30 minutos	2 horas

• La reproducción SLP puede contener más ruidos de imagen.

Lengüeta de protección contra borrados

Impide que las cintas se borren accidentalmente.



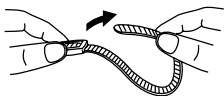
- 1 Para evitar borrados accidentales, **desprenda la lengüeta** con un destornillador. (O deslice la lengüeta a la posición de abierta.)
- 2 Para volver a grabar, **cubra la abertura** con cinta adhesiva. (O si la lengüeta es del tipo deslizante, deslícela para cerrarla.)

Antes de Comenzar

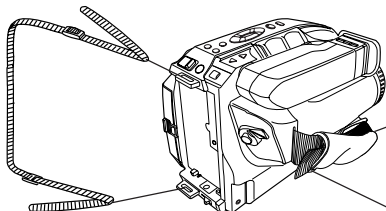
Instalación de la correa para el hombro

Retire la batería antes de realizar los pasos.

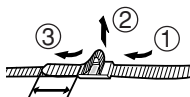
- 1** Suelte los extremos de la correa desde las hebillas.



- 2** Pase la correa por los anillos de correa de la Cámara.

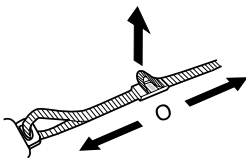


- 3** Vuelva a colocar los extremos de la correa en las presillas.



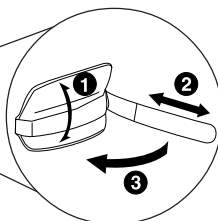
más de 1 pulgada (25,4 mm)

Ajuste la longitud de la correa para el hombro



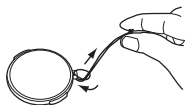
Retire una sección de la correa de la hebilla, y luego tire de la correa para acortarla o alargarla.

Correa de mano



Ajuste la largura de la correa de mano para que se adapte a su mano, tal como se indica en la ilustración.

Tapa del objetivo

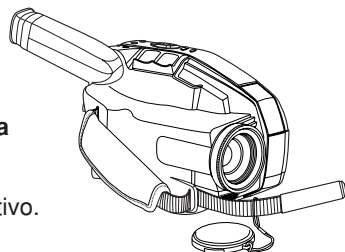


Fijación del cordón de la tapa del objetivo:

Ensarte la correa a través del anillo de la tapa del objetivo como se muestra en la figura a la izquierda.

Fijación del cordón de la tapa del objetivo a la correa de mano:

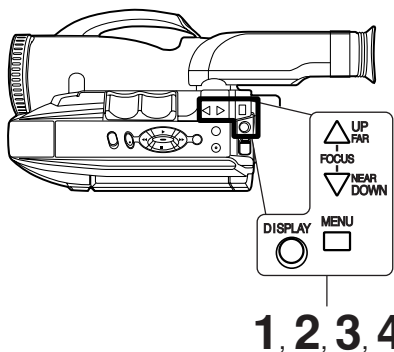
Quite la correa de mano del broche frontal y ensarte la correa a través del lazo en el cordón de la tapa del objetivo. Coloque nuevamente la correa de mano.



Utilización del modo MENU

Antes de comenzar...

- Conecte la Palmcorder a una fuente de alimentación.
- Ajuste POWER a CAMERA o VCR.



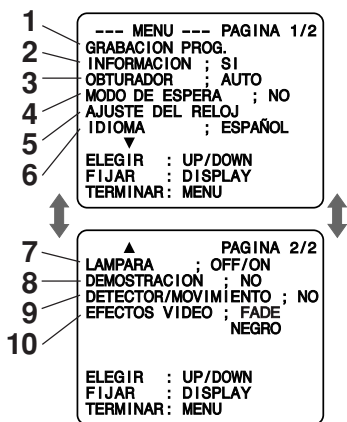
1, 2, 3, 4

- 1** Presione **MENU** para acceder al modo MENU. Aparece la pantalla MENU (ver abajo a la izquierda).
- 2** Presione **UP** o **DOWN** para elegir el elemento deseado en el menú.
- 3** Presione **DISPLAY** para fijar su selección.
- 4** Presione **MENU** para salir del modo MENU.

Nota:

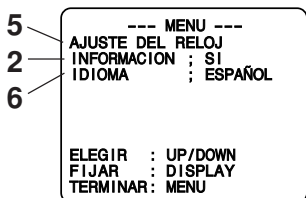
- El modo menú se cancela si no se presiona **UP/DOWN**, **DISPLAY**, o **MENU** dentro de 5 minutos cuando el modo de auto-demostración esté desactivado sin estar colocados el cassette y la batería.
- El modo menú se cancela si no se presiona **UP/DOWN**, **DISPLAY**, o **MENU** dentro de 30 segundos cuando el modo de auto-demostración esté activado sin estar colocados el cassette y la batería.

Pantalla de modo MENU (CAMARA)



- 1 GRABACION PROG.** (página 19).
La cámara comienza y para la grabación a la hora preajustada.
- 2 INFORMACION** (página 31).
SI : Se visualizan las pantallas de visualización.
- 3 OBTURADOR** (página 25).
Seleccione la velocidad de obturación deseada.
- 4 MODO DE ESPERA** (página 18).
SI : Activa rápidamente la grabación desde el modo En Espera.
- 5 AJUSTE DEL RELOJ** (páginas 14 y 15).
Seleccione para ajustar el reloj.
- 6 IDIOMA**
Seleccione IDIOMA : ESPAÑOL o LANGUAGE : ENGLISH.
- 7 LAMPARA** (página 16).
OFF/ON : La lámpara se puede ajustar a ON u OFF.
OFF/ON/AUTO : La lámpara se puede ajustar a ON, OFF, o AUTO.

Pantalla de modo MENU (VCR)



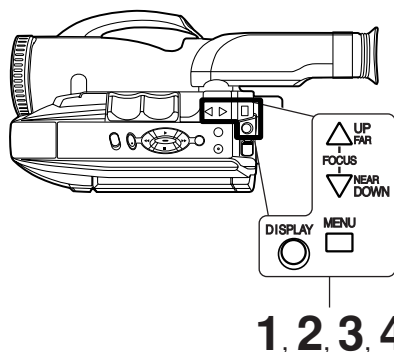
- 8 DEMOSTRACION** (página 7).
SI : Se visualiza la pantalla DEMOSTRACION.
- 9 DETECTOR/MOVIMIENTO** (página 30).
SI : Habilita la grabación con sensor de movimiento.
- 10 EFECTOS VIDEO** (páginas 26 y 27).
FADE AUTOMATICO : NEGRO o BLANCO
FADE DIGITAL : TIPO → 7 tipos
COLOR → 8 colores

Ajuste del reloj

Ajuste los siguientes elementos en orden: Zona Horaria, Hora Veraniega, Fecha y Hora.

Antes de comenzar...

- Conecte la Palmcorder a una fuente de alimentación.
- Ajuste POWER a CAMERA o VCR.



- 1** Presione **MENU** para acceder al modo MENU. Presione **UP** o **DOWN** para seleccionar **AJUSTE DEL RELOJ**.

```
--- MENU --- PAGINA 1/2
GRABACION PROG.
INFORMACION : SI
OBTURADOR : AUTO
MODO DE ESPERA : NO
AJUSTE DEL RELOJ
IDIOMA : ESPAÑOL
ELEGIR : UP/DOWN
FIJAR : DISPLAY
TERMINAR : MENU
```

[Modo CAMARA]

```
--- MENU ---
AJUSTE DEL RELOJ
INFORMACION : SI
IDIOMA : ESPAÑOL
ELEGIR : UP/DOWN
FIJAR : DISPLAY
TERMINAR : MENU
```

[Modo VCR]

- 2** Presione **DISPLAY** para acceder al menú AJUSTE DEL RELOJ.

Presione **UP** o **DOWN**

para seleccionar **ZONA(HORA)**, **D.S.T.** o **FECHA/HORA**.

```
--- AJUSTE DEL RELOJ ---
ZONA(HORA) : EASTERN
D.S.T. : AUTO
FECHA/HORA : 12:00:00AM
ENE 1 2003
ELEGIR : UP/DOWN
FIJAR : DISPLAY
TERMINAR : MENU
```

- 3** Presione **DISPLAY** para visualizar el menú del elemento seleccionado en el paso 2.

Para cambiar el ajuste:

ZONA(HORA) → Vaya al paso **3a** en la página 15. (para EE.UU.)

D.S.T. → Vaya al paso **3b** en la página 15. (para EE.UU.)

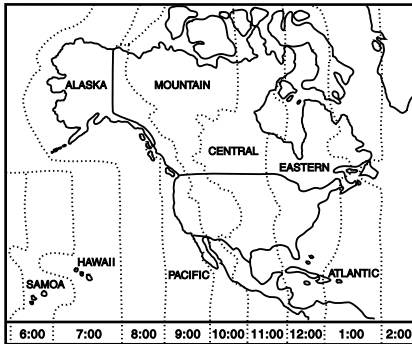
FECHA/HORA → Vaya al paso **3c** en la página 15.

- 4** Presione **MENU** dos veces para salir del modo MENU.

3a Selección de huso horario (para EE.UU.)

La cámara está ajustada a la hora Este de EE.UU. (EASTERN).

[Husos horarios]



Presione **UP** o **DOWN** para seleccionar la zona horaria.

Presione **DISPLAY** para confirmar la fijación.

--- ZONA DE HORA ---

ATLANTIC EASTERN CENTRAL MOUNTAIN	PACIFIC ALASKA HAWAII SAMOA
ELEGIR : UP/DOWN	
FIJAR : DISPLAY	

- Al viajar, repita esta operación y seleccione una de las 8 zonas horarias indicadas para ajustar el reloj a la hora local.

Nota :

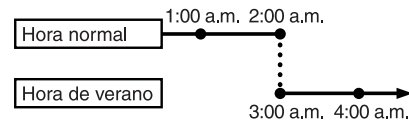
- El reloj puede atrasar o adelantar hasta 2 minutos por mes.
- Cuando viaje fuera de las zonas horarias de la lista, ajuste el reloj a la hora local de forma manual.
- Para ajustar el reloj, vea "Ajuste de la fecha y hora" al final de la página.

3b Hora veraniega (para EE.UU.)

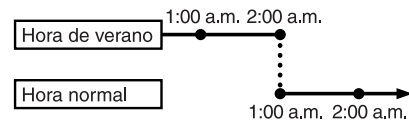
El reloj se ajustará automáticamente a la hora veraniega (DST).

DST: AUTO

Primer domingo de abril:
adelanta una hora.



Último domingo de octubre:
atrás una hora.



La cámara está preajustada a D.S.T.: **AUTO**. Si en su zona no se necesita el cambio a la hora veraniega D.S.T., ajuste a **NO** mediante los siguientes pasos.

Presione **UP** o **DOWN** para seleccionar **NO** o **AUTO**.

Presione **DISPLAY** para confirmar la fijación.

--- HORA DE VERANO ---

AUTO
NO

ELEGIR : UP/DOWN
FIJAR : DISPLAY

Nota:

- El D.S.T. AUTO no funciona si la zona horaria está ajustada a Hawaii o Samoa (vea arriba "Selección de huso horario").

3c Ajuste de la fecha y hora

La fecha y la hora, incluyendo años bisiestos están calculadas hasta el 31 de Diciembre de 2099.

EJEMPLO :

UP
FAR

↕

NEAR
DOWN

DISPLAY

↔

--- AJUSTE FECHA/HORA ---

12:00:00AM
ENE 1 2003

ELEGIR : UP/DOWN
FIJAR : DISPLAY

--- AJUSTE FECHA/HORA ---

1:00:00PM
ENE 1 2003

ELEGIR : UP/DOWN
FIJAR : DISPLAY

--- AJUSTE FECHA/HORA ---

1:00:00PM
ENE 1 2003

ELEGIR : UP/DOWN
FIJAR : DISPLAY

--- AJUSTE FECHA/HORA ---

12:00:00AM
ENE 1 2003

ELEGIR : UP/DOWN
FIJAR : DISPLAY

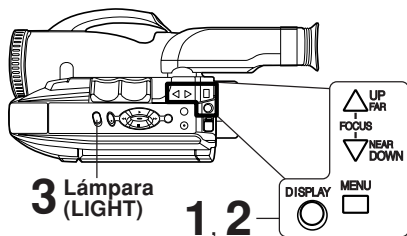
Presione o mantenga presionado **UP** o **DOWN** para seleccionar la hora, luego presione **DISPLAY** para ajustar. Repita el procedimiento para los minutos, mes, día y año.

El reloj comienza cuando se introduce el año y se presiona **DISPLAY**.

Lámpara automática incorporada

Utilización de la lámpara

Para grabar con poca luz.



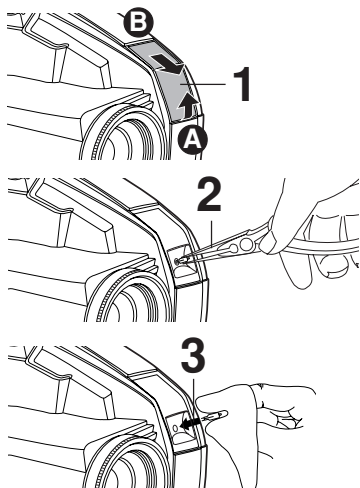
Precaución:

La lámpara se calienta. No cubra nunca la lámpara mientras esté encendida.

Nota:

- El uso de la lámpara reduce el tiempo de operación de la batería.
- Disponga ventilación suficiente al usar mucho la lámpara en un ambiente caliente.
- El uso de la lámpara mientras la Palmcorder funciona mediante una batería de automóvil, puede acortar la vida útil de la bombilla.
- Ajuste la lámpara a OFF cuando no se utilice.

Reemplazo de la bombilla



PELIGRO:

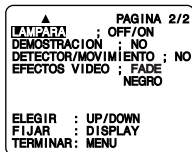
Utilice sólo la bombilla de repuesto (PIEZA N° VLLW0015) suministrada por PANASONIC para reducir el riesgo de incendios.
Coja la bombilla con un paño o servilleta limpia puesto que la grasa de la piel puede disminuir la vida útil de la bombilla.
Extraiga la tapa del objetivo para evitar posibles riesgos de quemaduras.

Antes de comenzar...

- Conecte la Palmcorder a una fuente de alimentación.
- Ajuste POWER a CAMERA.

1

Presione **MENU** para acceder al modo MENU.
Presione **UP** o **DOWN** para seleccionar **LAMPARA**.



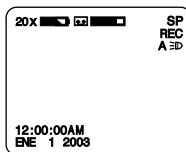
2

Presione **DISPLAY** para seleccionar OFF/ON o OFF/ON/AUTO.
Presione **MENU** para salir del modo MENU.

3

Presione **LIGHT** repetidamente para que la luz esté ON, OFF o AUTO.
• En AUTO, la luz se activa/desactiva por sí sola de acuerdo con las condiciones de iluminación.

Monitor LCD o EVF



\Rightarrow : La luz está prendida.

A \Rightarrow : El modo de luz es automático.

Antes de comenzar...

- Realice el pedido de la pieza N° VLLW0015 para el cambio de la bombilla.
- Ajuste POWER a OFF.

1

Suavemente levante la porción **A** de la tapa del objetivo para desenganchar, y deslice la porción **B** hacia adelante para extraer.

2

Usando pinzas o alicates de puntas de aguja, retire cuidadosamente la bombilla.
• Lleve la unidad al centro de servicio técnico en caso de necesitar ayuda.

3

Vuelva a colocar la bombilla cogiéndola con un paño o una servilleta limpia.

4

Vuelva a colocar la tapa del objetivo.

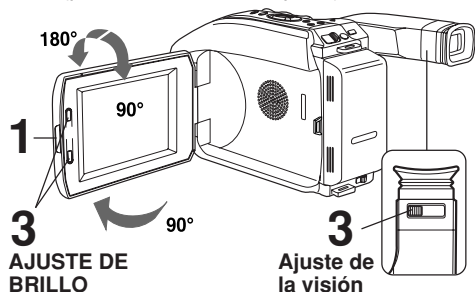
Nota:

- Manipule la bombilla con mucho cuidado. Una fuerza excesiva podría romper la misma.

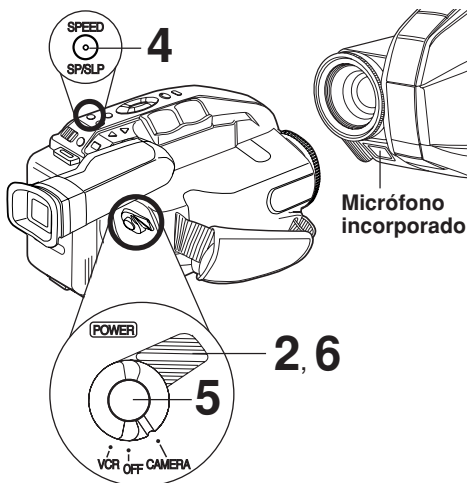
Grabación con la cámara

Grabación a través del monitor LCD o del EVF

Visualización de una escena de grabación en EVF (visor electrónico) o en monitor de LCD (pantalla de cristal líquido).



Precaución :
Si está abierto y girado parcialmente el monitor LCD puede bloquearse el compartimiento del cassette y dañarse el chasis de la cámara.



ADVERTENCIA:

• No deje la Palmcorder con el EVF apuntando directamente hacia el sol, ya que esto puede dañar las piezas internas del EVF.

Nota:

- Si se apunta con la Palmcorder hacia objetos excesivamente luminosos o luces intensas, una barra vertical podrá aparecer en la imagen. Esta es una característica normal del dispositivo transductor CCD. Trate de evitar esta situación cuando sea posible.
- El uso del monitor LCD reduce el tiempo de funcionamiento de la batería. Cierre el monitor LCD cuando no lo utilice.

Antes de comenzar...

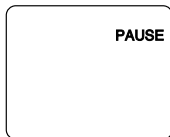
- Conecte la Palmcorder a una fuente de alimentación.
- Inserte un cassette provisto de su lengüeta de protección contra borrados (página 11).

1 Presione LCD-OPEN para abrir el monitor LCD.
Abra completamente y ajuste el ángulo.

- Si desea grabar usando el EVF, cierre y asegure el monitor LCD.

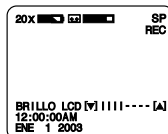
2 Ajuste POWER a CAMERA.

- Asegúrese de que POWER ha sido totalmente girado a CAMERA.
- El monitor LCD o EVF se activa/desactiva mediante el interruptor POWER.
- El EVF se desactiva cuando el monitor LCD está abierto y se conecta cuando el LCD está cerrado.
- El visor y el monitor LCD se activan cuando el monitor LCD está girado hacia el frente. Esto permite ver la grabación al operador y al sujeto.



Monitor LCD o EVF
(Modo de grabación/pausa)

3 Monitor LCD :
Presione BRIGHT ADJUSTMENT para ajustar el nivel de brillo del monitor LCD.

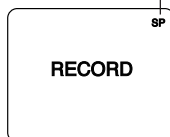


Visor electrónico :
Vea por EVF y ajuste con el Ajuste de la Visión a su vista.

4 Presione TAPE SPEED durante aproximadamente 1 segundo para cambiar la velocidad de la cinta a SP o SLP (página 11).

Velocidad de la cinta

5 Presione RECORD/PAUSE para dar comienzo o hacer la pausa de grabación.



6 Ajuste POWER a OFF para terminar.

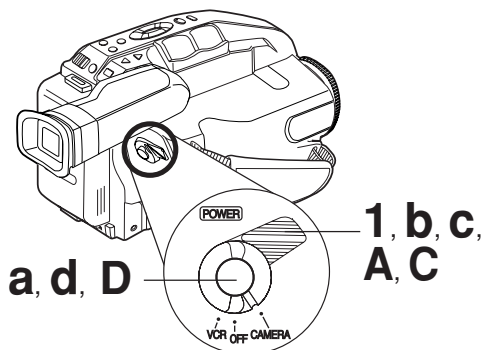
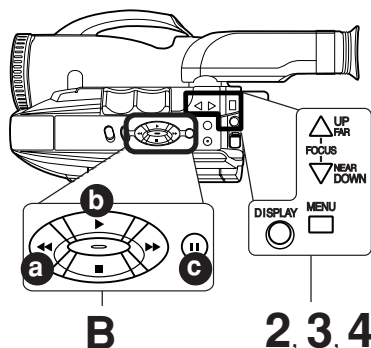
Monitor LCD o EVF
(Modo de grabación)

- Para extraer el cassette, deslice TAPE EJECT (página 11).

Grabación con la cámara

Antes de comenzar...

- Conecte la Palmcorder a una fuente de alimentación.
- Inserte un cassette provisto de su lengüeta de protección contra borrados (página 11).



Fácil edición manual

Para una continuidad correcta cuando se grabe desde el modo de Detención o después de colocar una batería nueva.

- A** Ajuste **POWER** a **VCR**.
- B** **a** Presione **REWIND/SEARCH** para retroceder algunos segundos en la cinta.
- b** Presione **PLAY** para revisar la imagen en el visor.
- c** Presione **STILL** cuando desee seguir grabando.
- C** Ajuste **POWER** a **CAMERA**.
- D** Presione **RECORD/PAUSE** para reanudar la grabación.

18

Para solicitar ayuda, por favor llame al: 1-800-211-PANA(7262) o envíe un correo electrónico a: consumerproducts@panasonic.com

Cancelación rápida de modo de espera

Si se deja la cámara en el modo RECORD/PAUSE durante más de 5 minutos, se ajustará al modo En Espera para ahorrar la carga de batería. Cuando se ajusta MODO DE ESPERA a SI podrá reanudar la grabación presionando **RECORD/PAUSE** dos veces. Las nuevas cámaras vienen ajustadas por defecto a NO.

1 Ajuste **POWER** a **CAMERA**.

2 Presione **MENU** para acceder al modo MENU. Presione **UP** o **DOWN** para seleccionar

```
--- MENU --- PAGINA 1/2
GRABACION PROG
INFORMACION : SI
OBTURADOR : AUTO
MODO DE ESPERA : NO
AJUSTE DEL RELOJ : ESPAÑOL
IDIOMA
ELEGIR : UP/DOWN
FIJAR : DISPLAY
TERMINAR : MENU
```

MODO DE ESPERA.

3 Presione **DISPLAY** para seleccionar SI u NO.

SI : Desde el modo En Espera, presione **RECORD/PAUSE** dos veces para reanudar la grabación.

NO : Desde el modo En Espera, ajuste **POWER** a **OFF** y luego a **CAMERA**. Presione **RECORD/PAUSE** para la grabación.

4 Presione **MENU** para salir del modo MENU.

Fácil edición en modo de espera

Para una transición suave entre las escenas si se ha detenido la grabación y luego se reanuda dentro de las 24 horas.

- a** Presione **RECORD/PAUSE** para detener la grabación.
- b** Ajuste **POWER** a **OFF** y deje el cassette en la Palmcorder.
- c** Para reanudar la grabación, ajuste **POWER** a **CAMERA**.
- d** Presione **RECORD/PAUSE** para reanudar la grabación.

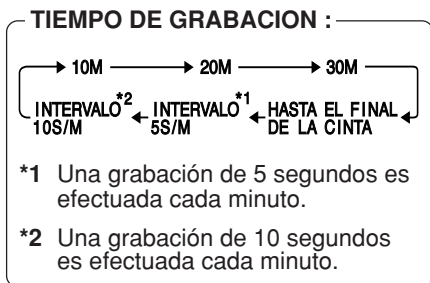
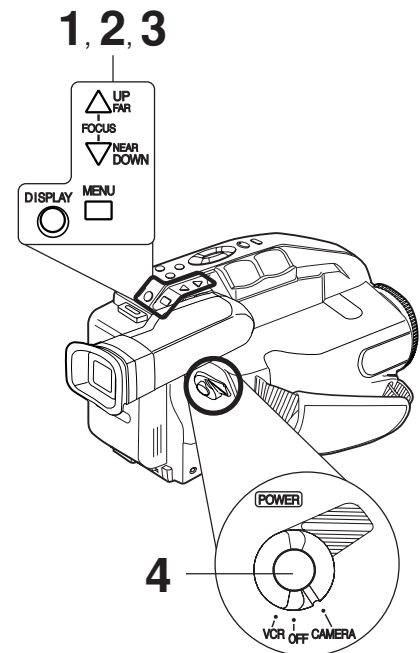
Nota:

- Use la función Edición Manual Fácil (izquierda) si transcurren más de 24 horas antes de reanudar la grabación.

Grabación con la cámara

Grabación programada

Ajuste el tiempo de comienzo y detención de la grabación. O, ajuste un intervalo de 5 o 10 segundos de grabación para que se realice cada minuto.



Antes de comenzar...

- Conecte la Palmcorder a una fuente de alimentación. Utilice el Adaptador de ca para grabaciones largas.
- Inserte un cassette provisto de su lengüeta de protección contra borrados (página 11).
- Ajuste POWER a CAMERA.

1 Presione **MENU** para acceder al modo MENU. Presione **UP** o **DOWN** para seleccionar **GRABACION PROG.**

```

--- MENU --- PAGINA 1/2
GRABACION PROG
INFORMACION : SI
OBTURADOR   : AUTO
MODO DE ESPERA : NO
AJUSTE DEL RELOJ :
IDIOMA      : ESPAÑOL
Y
ELEGIR     : UP/DOWN
FIJAR      : DISPLAY
TERMINAR   : MENU
    
```

2 Presione **DISPLAY**. (se visualizará la hora actual.) Cada vez que presione **DISPLAY** aumentará la hora de comienzo en 30 minutos.

```

EMPEZAR : 10:20PM
TIEMPO  : 10M
ELEGIR  : UP/DOWN
FIJAR   : DISPLAY
EMPEZAR : RECORD
CANCELAR : MENU
10:20:00PM
    
```

3 Presione **DOWN** para seleccionar **TIEMPO**. Presione **DISPLAY** repetidamente para seleccionar una de las opciones que se muestran a la izquierda.

```

EMPEZAR : 10:20PM
TIEMPO  : 10M
ELEGIR  : UP/DOWN
FIJAR   : DISPLAY
EMPEZAR : RECORD
CANCELAR : MENU
10:20:00PM
    
```

Si desea salir del modo MENU, presione **MENU** dos veces.

4 Presione **RECORD/PAUSE** para poner la Palmcorder en modo de espera.

```

          ESPERA
EMPEZAR : 10:20PM
TIEMPO  : 10M
10:20:00PM
ENE 1 2003
    
```

La grabación tendrá lugar tal como se haya programado.

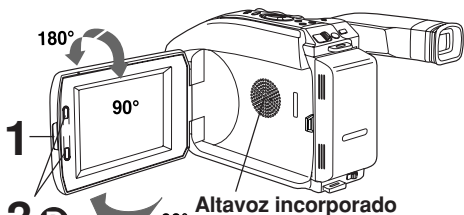
Nota:

- El tiempo de comienzo no se puede ajustar a más de 24 horas desde la hora actual.
- La cámara se apaga al terminar la cinta o 12 horas después de que haya comenzado la grabación por intervalo.
- Para cancelar, ajuste **POWER** a **OFF**.

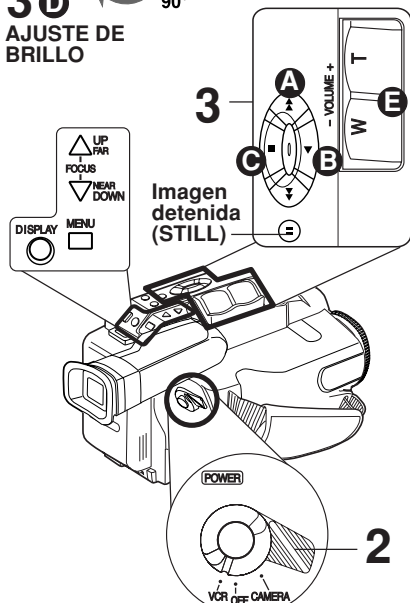
Reproducción de sus grabaciones

Antes de comenzar...

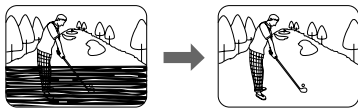
- Conecte la Palmcorder a una fuente de alimentación.
- Inserte un cassette grabado.



3 D AJUSTE DE BRILLO



Control de alineación



Alineación automática

Esta función analiza continuamente la señal de cada grabación para ofrecer una calidad de imagen óptima.

Alineación manual

Algunas grabaciones requieren un ajuste manual para reducir el ruido de imagen.

Presione **UP** o **DOWN** hasta que la imagen reproducida se aclare.

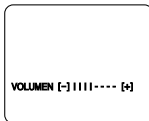
Presione **DISPLAY** para volver al modo de alineación automática.

Reproducción en el monitor LCD o en el EVF (visor)

- 1** Presione **LCD-OPEN** y abra completamente el monitor LCD.
 - Si desea reproducir en el EVF, cierre completamente el monitor LCD.
- 2** Ajuste **POWER** a **VCR**.
 - Si el cassette no tiene la lengüeta de protección contra borrados, comienza la reproducción automáticamente.
 - El monitor LCD o EVF se activa/desactiva mediante el interruptor **POWER**.
 - El EVF se desactiva cuando el monitor LCD está abierto y se conecta cuando el LCD está cerrado.
- 3** Inicie la reproducción del cassette.
 - A** **REW** : rebobina la cinta.
 - B** **PLAY** : inicia la reproducción.
 - C** **STOP** : para la reproducción.
 - D** **BRIGHT** : Ajusta el brillo del monitor LCD.
 - E** **VOLUME** : Durante la reproducción, ajuste el volumen del altavoz.

Presione "T" :
Alza el volumen (+).

Presione "W" :
Baja el volumen (-).



Nota:

- El uso del monitor LCD reduce el tiempo de funcionamiento de la batería. Cierre el monitor LCD cuando no lo utilice.

Efectos Especiales

Búsqueda visual rápida

Velocidad de búsqueda

- SP (Reproducción normal) : 3 veces al tiempo normal.
- SLP (Reproducción de larga duración) : 9 veces al tiempo normal.

Durante la reproducción presione:

- **FF** : búsqueda hacia adelante
 - **REW** : búsqueda en rebobinado
- Vuelva a presionar o presione **PLAY** para la reproducción normal.

Para ver una imagen detenida

Presione **STILL** para congelar la imagen de reproducción. Presione **otroavez** para reanudar la reproducción normal. Esta característica funciona mejor en el modo SLP (página 11).

Nota:

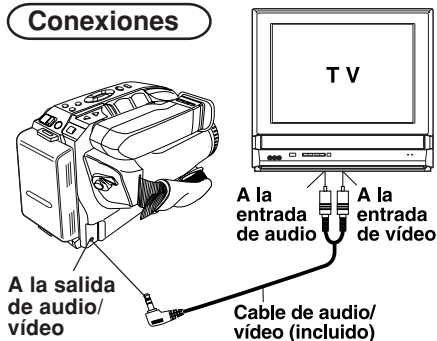
- Durante la búsqueda, aparecerán rayas horizontales de ruido. El audio es silenciado.
- Para proteger las cabezas de vídeo y la cinta, los modos de funcionamiento se moverán de las siguientes maneras después de 5 minutos.
 - Congelado → En espera
 - En espera → Alimentación desactivada (cuando se utiliza la batería)
- La cinta se rebobina automáticamente si se reproduce o avanza hacia adelante y llega hasta el final.

Reproducción de sus grabaciones

Reproducción o visión en un televisor

Conecte la cámara a un televisor para ver la reproducción y las grabaciones que esté realizando.

Conexiones



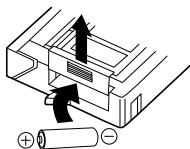
Antes de comenzar...

- Conecte la Palmcorder a una fuente de alimentación.
- Realice todas las conexiones de la cámara al televisor.

- 1** Ajuste **POWER** a:
VCR → ver la reproducción.
CAMERA → ver la imagen que está grabando.
- 2** Encienda el televisor y póngalo en entrada de línea (**LINE INPUT**). Consulte el manual de instrucciones de TV.
- 3** Inicie la reproducción o comience la grabación.

Reproducción en un VCR usando el PlayPak

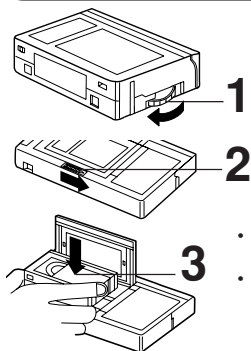
Carga de la pila en el PlayPak



Quite la tapa del compartimiento de la pila e inserte la pila tamaño AA.

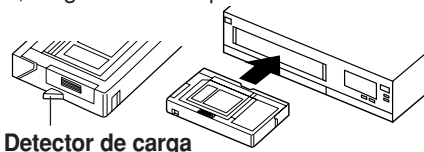
- No invierta la polaridad.
- Cambie la pila cuando la carga/descarga tarde más de lo habitual.

Inserción del cassette **VHS** en el PlayPak

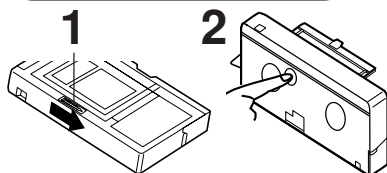


- 1** Gire la rueda del cassette **VHS** en la dirección de la flecha para que se tense.
- 2** Deslice **RELEASE** para abrir la tapa del PlayPak.
- 3** Inserte el cassette **VHS** con la ventana hacia arriba y hacia la izquierda, luego cierre la tapa.

- No obstruya la bobina del cassette al cargarla.
- Deje que el Detector de Carga del PlayPak se retraiga completamente antes de utilizarlo en el aparato de vídeo VHS.



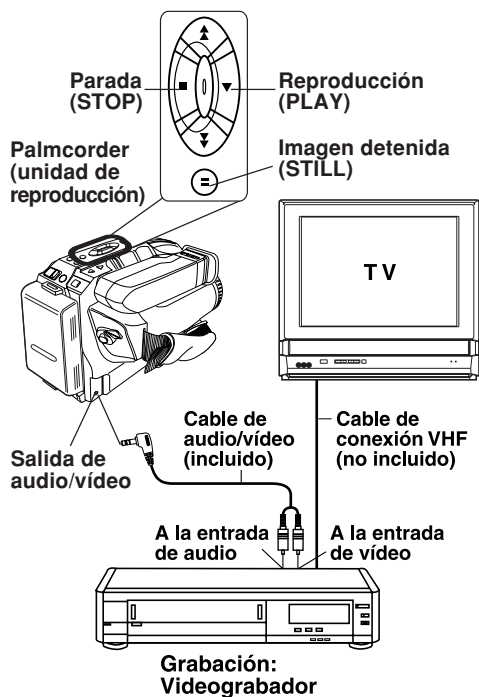
Retire el cassette **VHS**



- 1** Deslice **RELEASE** y espere hasta que la tapa se abra.
- 2** Empuje el cassette por el orificio de la parte inferior del PlayPak con el dedo.

Copia de cintas

Conexiones



Monitoree con su televisor

- Conecte TV ON y seleccione su canal de videograbador (CH3 o CH4).
- Ajuste el selector TV/VCR a VCR.

Antes de comenzar...

- Realice las conexiones entre la cámara y aparato de video (véase a la izquierda).
 - Encienda las dos unidades.
 - Ajuste la señal de entrada del aparato de video a LINE.
- Vea el manual del usuario de la videograbadora.
- Ajuste POWER de la Palmcorder a VCR.

- 1** Inserte un **cassette pregrabada** en la Palmcorder, y un cassette en blanco provista de su lengüeta de protección contra borrados en el videograbador.
- 2** Presione **PLAY** en la cámara, luego Presione **STILL** en el punto de comienzo.
- 3** Presione **REC**, luego **STILL/PAUSE** en el aparato de video.
- 4** Presione **STILL** en la cámara y **STILL/PAUSE** en el aparato de video para comenzar a copiar.
- 5** Presione **STOP** en las dos unidades para detener la copia.

Nota:

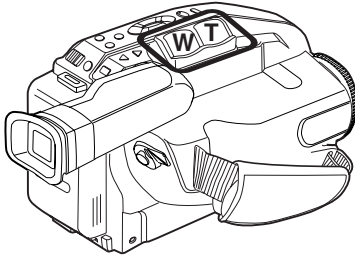
- La cámara solo reproducirá cassettes grabadas en los modos SP o SLP.
- La copia puede disminuir la calidad de imagen.

PRECAUCIÓN:

El intercambio y/o copia no autorizados de grabaciones protegidas por los derechos de propiedad intelectual puede constituir una infracción.

Zoom motorizado de cuatro velocidades

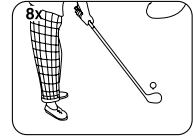
Realice la operación de zoom de acercamiento (primeros planos) y zoom de alejamiento (gran angular) en una de las cuatro velocidades que van desde lenta (16 s) a rápida (2 s).



Antes de comenzar...

- Conecte la Palmcorder a una fuente de alimentación.
- Ajuste POWER a CAMERA.

Acercamiento ("T")



Alejamiento ("W")

- Para un efecto zoom lento:

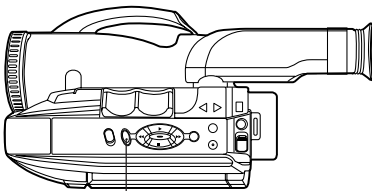
Presione ligeramente el botón POWER ZOOM "T" (teleobjetivo) o "W" (gran angular).

- Para un efecto zoom rápido:

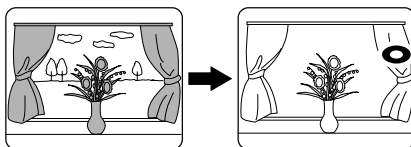
Aplique más presión al botón.

Función de contraluz

Utilice esta función cuando el objetivo sea más oscuro que el entorno, esté en una zona en sombras, o esté por delante de la fuente de luz.



Contraluz (B.LIGHT)



Presione B.LIGHT.

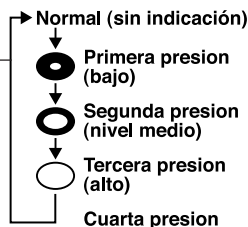
Antes de comenzar...

- Conecte la Palmcorder a una fuente de alimentación.
- Ajuste POWER a CAMERA.

Presione **B.LIGHT** mientras graba para seleccionar el nivel de compensación de contraluz.

En condiciones de iluminación normal, presione **B.LIGHT** repetidamente hasta que no se visualice ningún indicador.

Monitor LCD o EVF



Enfoque

Antes de comenzar...

- Conecte la Palmcorder a una fuente de alimentación.
- Ajuste **POWER** a **CAMERA**.

Enfoque automático

La Palmcorder enfoca automáticamente el objeto, incluso cuando se utiliza el zoom.

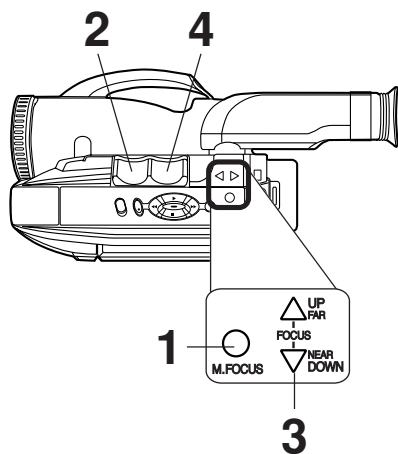
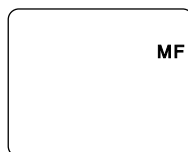
El enfoque automático se encuentra activado cuando no se visualiza "MF" en el monitor LCD o EVF. **Presione M.FOCUS** para cancelar la indicación "MF" del monitor LCD o EVF si es necesario.

Enfoque manual

Use enfoque manual (MF) al filmar en las siguientes condiciones:

- una grabación a través de un cristal.
- la iluminación sea mala.
- el motivo está lejos con objetos por delante.
- el motivo tiene líneas horizontales muy marcadas.
- el motivo no está centrado en el monitor LCD o EVF.
- el motivo tiene una superficie brillante.
- el motivo está inclinado.
- el motivo es brillante y plano, como una pared blanca.
- el motivo hace un movimiento rápido, como un swing de golf.

Monitor LCD o EVF



1 Presione **M.FOCUS** para hacer que la indicación "MF" (enfoque manual) aparezca en el monitor LCD o EVF.

2 Mantenga presionado **"T"** (teleobjetivo) para un máximo zoom de acercamiento.

3 Presione **UP (FAR)** o **DOWN (NEAR)** hasta que el objeto quede enfocado.
• Aléjese del motivo si fuera necesario.

4 Presione el lado **"W"** del **POWER ZOOM** para encuadrar la imagen según lo desee.

• **Vuelva a enfocar según sea necesario**
Cuando apunte a nuevas escenas.

Enfoque macro (para tomas de primer plano)

El Auto Focus funciona hasta 12,7 mm. (1/2 pulgada) del motivo.

Mantenga presionado **"W"** en **POWER ZOOM** para un máximo de gran angular.

Acerque la cámara al motivo.

Obturador de alta velocidad

Mejora la imagen de reproducción congelada o en cámara lenta de motivos a alta velocidad (por ej. golpes de tenis), cuando se ven en la cámara o en aparatos de vídeo de 3 o 4 cabezales.

Obturador automático

En el modo AUTO (no hay indicación en el monitor LCD o EVF), la velocidad de obturación se ajusta automáticamente desde 1/60 a 1/350 según el brillo del sujeto.

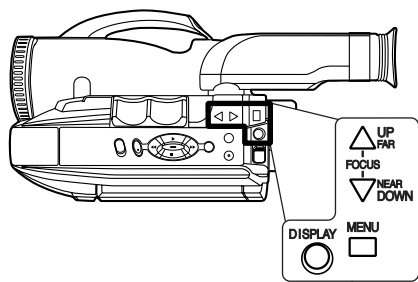
- Cada vez que se ajusta POWER a CAMERA, se selecciona el modo AUTO.

Selección manual

Cuanto más rápida sea la velocidad de obturación, más luz hará falta para una calidad de imagen y de color correcta.

Si la luz fuera inadecuada, parpadeará la indicación de Obturador de Alta Velocidad.

Provea luz adicional.



1, 2, 3

Antes de comenzar...

- Conecte la Palmcorder a una fuente de alimentación.
- Inserte un cassette provisto de su lengüeta de protección contra borrados (página 11).
- Ajuste POWER a CAMERA.

1 Presione **MENU** para acceder al modo MENU. Presione **UP o DOWN** para seleccionar **OBTURADOR**.

2 Presione **DISPLAY repetidamente** para seleccionar la velocidad de obturación.

```
--- MENU --- PAGINA 1/2
GRABACION PROG.
INFORMACION : SI
OBTURADOR : AUTO
MODO DE ESPERA : NO
AJUSTE DEL RELOJ :
IDIOMA : ESPAÑOL
ELEGIR : UP/DOWN
FIJAR : DISPLAY
TERMINAR : MENU
```

→ AUTO → 1/60 → 1/100 → 1/250 → 1/500
← 1/10000 ← 1/4000 ← 1/2000 ← 1/1000 ←

3 Presione **MENU** para salir del modo MENU.

Nota:

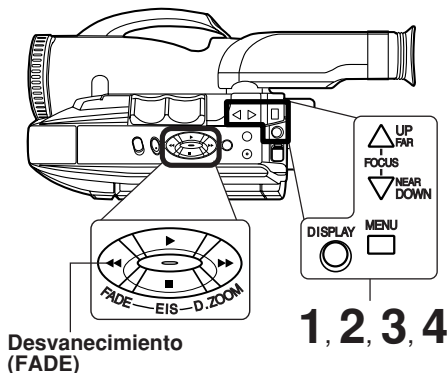
- La velocidad del obturador no se puede ajustar a 1/60 si la función Digital E.I.S está ajustada en SI.
- Disponga iluminación halógena o de tungsteno adicional para interiores o cuando haya poca luz.
La luz fluorescente degrada la imagen.
- El Enfoque Automático puede que no funcione correctamente si se utiliza el obturador de alta velocidad con iluminación inadecuada.
- El ajuste vuelve a AUTO cada vez que se ajusta POWER a CAMERA.

Desvanecimiento Automático

Constituye una forma interesante de abrir y cerrar las escenas.

Antes de comenzar...

- Conecte la Palmcorder a una fuente de alimentación.
- Ajuste POWER a CAMERA.



PAGINA 2/2
 ▲ LAMPARA : OFF/ON
 DEMOSTRACION : NO
 DETECTOR/MOVIMIENTO : NO
 EFECTOS VIDEO : FADE NEGRO
 ELEGIR : UP/DOWN
 FIJAR : DISPLAY
 TERMINAR : MENU

1 Presione **MENU** para acceder al modo MENU. Presione **UP** o **DOWN** para seleccionar **EFFECTOS VIDEO**.

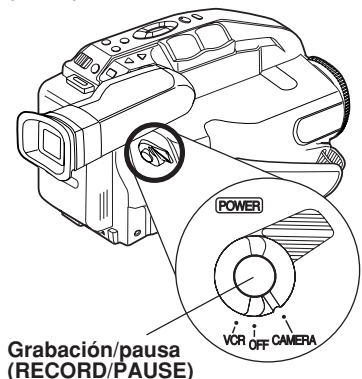
2 Presione **DISPLAY** para acceder al menú EFECTOS VIDEO. Presione **UP** o **DOWN** para seleccionar **FADE AUTOMATICO**.

--- EFECTOS VIDEO ---
 FADE AUTOMATICO
 FADE DIGITAL
 ELEGIR : UP/DOWN
 FIJAR : DISPLAY
 TERMINAR : MENU

3 Presione **DISPLAY** para acceder al menú FADE AUTOMATICO; COLOR. Presione **UP** o **DOWN** para seleccionar NEGRO o BLANCO.

-FADE AUTOMATICO; COLOR-
 NEGRO
 BLANCO
 ELEGIR : UP/DOWN
 FIJAR : DISPLAY

4 Presione **DISPLAY** para confirmar la entrada de datos. Presione **MENU** para salir del modo MENU.



Aparición gradual de la imagen:

En el modo RECORD/PAUSE, presione **FADE** de tal forma que "FADE" parpadee en el monitor LCD o EVF.

Presione RECORD/PAUSE.

La grabación comenzará mientras que la imagen y el sonido aparecerán gradualmente (fundido positivo).

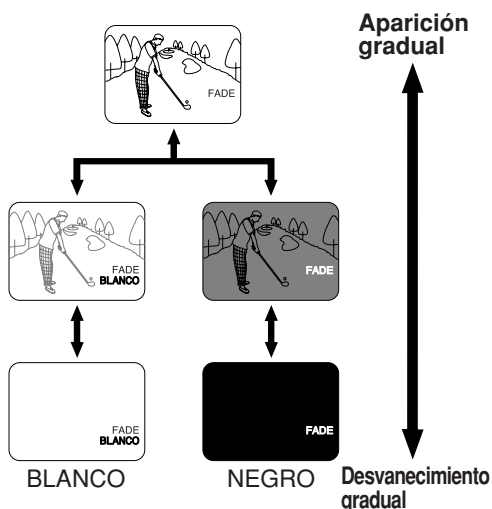
Desvanecimiento:

Mientras se está grabando, presione **FADE** de tal forma que "FADE" parpadee en el monitor LCD o EVF.

Presione RECORD/PAUSE.

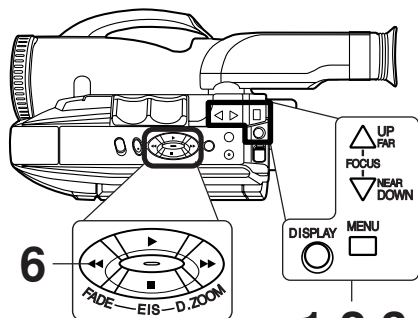
La imagen y el sonido se irán desvaneciendo gradualmente (fundido negativo) y la grabación se pondrá en pausa.

Si se presiona **FADE** accidentalmente, presiona de nuevo de tal forma que "FADE" desaparezca del monitor LCD o EVF.



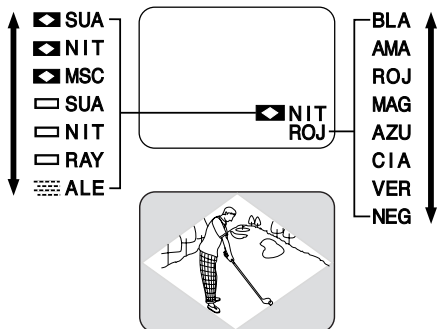
Desvanecimiento digital a color

Elija uno de los 7 efectos de desvanecimiento en 8 colores diferentes.



1, 2, 3,
4, 5

Monitor LCD o EVF



■ Para disponer de más efectos, detenga el fundido positivo o negativo en cualquier momento (excepto en el modo ALEATORIO) presionando **FADE**. Luego presione **FADE** para reanudar el fundido.

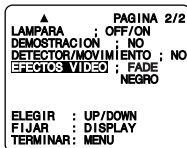
Nota:

- El audio no resulta afectado por el fundido.
- Para cancelar el Desvanecimiento digital, lleve a cabo los pasos 1,2 y 5. En el paso 2 seleccione FADE AUTOMATICO.

Antes de comenzar...

- Conecte la Palmcorder a una fuente de alimentación.
- Ajuste POWER a CAMERA.

1 Presione **MENU** para acceder al modo MENU. Presione **UP** o **DOWN** para seleccionar **EFFECTOS VIDEO**.



2 Presione **DISPLAY** para acceder al menú **EFFECTOS VIDEO**. Presione **DOWN** para seleccionar **FADE DIGITAL**.



3 Presione **DISPLAY** para acceder al menú **FADE DIGITAL**. Presione **UP** o **DOWN** para seleccionar **TIPO**. Presione **DISPLAY** para acceder al menú **TIPO**. Presione **UP** o **DOWN** para seleccionar entre 7 tipos distintos de desvanecimientos graduales de la imagen.

- Una vista previa de cada tipo de desvanecimiento se visualiza como se selecciona.



4 Presione **DISPLAY** para acceder al menú **FADE DIGITAL**. Presione **DOWN** para seleccionar **COLOR**. Presione **DISPLAY** para acceder al menú **COLOR**. Presione **UP** o **DOWN** para seleccionar entre los 8 colores.

- Una vista previa de cada color se visualiza como se selecciona.



5 Presione **DISPLAY** para confirmar la entrada de datos. Presione **MENU** dos veces para salir del modo MENU.

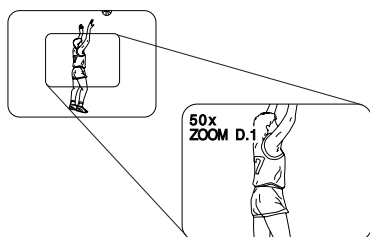
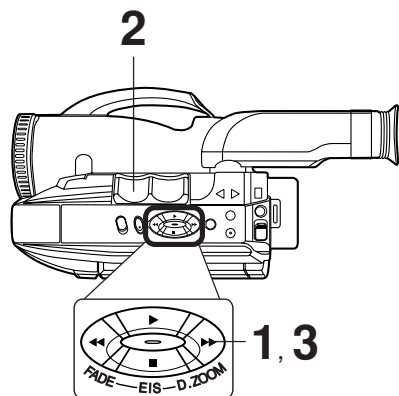
6 Presione **FADE** para el desvanecimiento durante la grabación (el tipo de desvanecimiento seleccionado parpadea). Presione **FADE** otra vez para la aparición.

Zoom Digital

Esta función permite aumentar el nivel de aumento del zoom automático.

Antes de comenzar...

- Conecte la Palmcorder a una fuente de alimentación.
- Ajuste POWER a CAMERA.



1 Presione **D.ZOOM**.
una vez → ZOOM D.1 (150× máx)
dos veces → ZOOM D.2 (780× máx)
Los niveles altos de aumento digital pueden causar una distorsión de imagen.

2 Mantenga presionado el lado "**T**" (**teleobjetivo**) del **POWER ZOOM**.
El Zoom Digital se pone en marcha cuando el zoom normal llega al máximo (26×).

- El nivel de zoom aparece en el monitor LCD o EVF.
- El interruptor POWER ZOOM controla el nivel del zoom digital.
- El zoom normal se reanuda cuando el nivel cae a 26×.

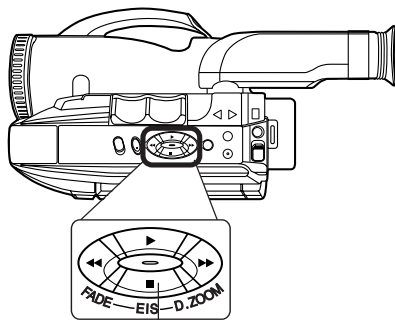
3 Presione **D.ZOOM** para desactivar el Zoom Digital y que no aparezca ninguna indicación.

Sistema electrónico digital de estabilización de imagen

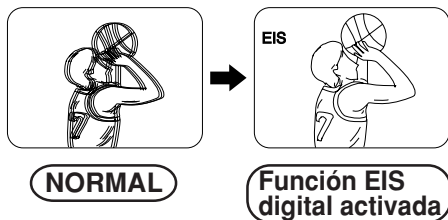
Ayuda a estabilizar la imagen cuando se graba en situaciones inestables.

Antes de comenzar...

- Conecte la Palmcorder a una fuente de alimentación.
- Ajuste POWER a CAMERA.



1, 2



1 Presione **EIS** para que se visualice "EIS" en el monitor LCD o EVF.

- La imagen se agranda ligeramente y la velocidad de obturación se ajusta automáticamente de 1/80 a 1/350 según sea el brillo.
- Utilice el Obturador de Alta Velocidad (página 25) si fuera necesario. Los ajustes de velocidad de obturación permanecen después de que se cancela EIS.

2 Vuelva a presionar **EIS** para cancelar esta función.

E.I.S. puede ser que no funcione durante...

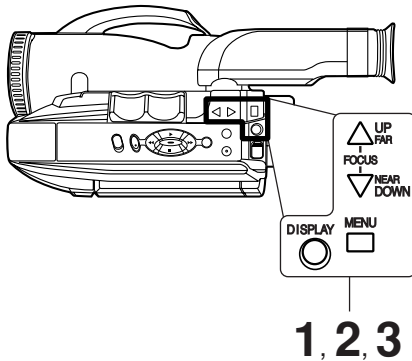
- un movimiento extremo de la cámara.
- una grabación de motivo con rayas horizontales o verticales muy marcadas.
- situaciones de poca iluminación (el indicador EIS parpadeará).
- situaciones de iluminación fluorescente intensa.
- una grabación de movimientos muy rápidos.

Sensor de Movimiento

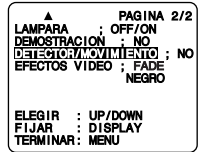
La grabación comenzará automáticamente si se detecta movimiento.

Antes de comenzar...

- Conecte la Palmcorder a una fuente de alimentación. Utilice el Adaptador de ca para grabaciones largas.
- Inserte un cassette provisto de su lengüeta contra borrados (página 11).
- Ajuste **POWER** a **CAMERA**.
- Instale firmemente la cámara y apunte.

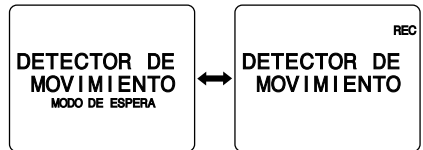


- 1 Presione **MENU** para acceder al modo **MENU**. Presione **UP** o **DOWN** para seleccionar



DETECTOR/MOVIMIENTO.

- 2 Presione **DISPLAY** para seleccionar **SI**.
- 3 Presione **MENU** para el modo de espera del sensor de movimiento. (Si no se ha insertado el cassette, parpadeará "👁").



El sensor de movimiento puede comenzar a funcionar por error cuando:

- el fondo sea plano, como una pared blanca, o tenga rayas horizontales o verticales muy marcadas, o inclinadas, como una persiana veneciano.
- el brillo cambia bruscamente.

El sensor de movimiento puede no comenzar a funcionar cuando:

- el movimiento sea demasiado lento o demasiado rápido.
- el objeto en movimiento sea demasiado pequeño.
- el movimiento se produce en una esquina de la zona de visión.
- poca iluminación (en este caso, DETECTOR DE MOVIMIENTO relampaguea).
- el fondo sea plano, como una pared blanca, o tenga rayas horizontales o verticales muy marcadas.

- La grabación dará comienzo en unos 3 segundos después de que se detecte el movimiento.
- La fecha y hora se graban si se visualizan en el monitor LCD o EVF (página 15).
- La grabación se detendrá 30 segundos después de que cese el movimiento.

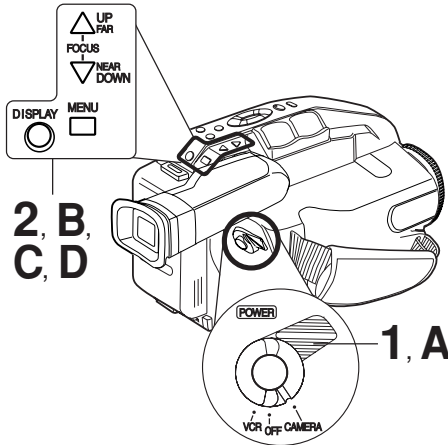
Para cancelar el modo de sensor de movimiento, ajuste **POWER** a **OFF**.

Nota:

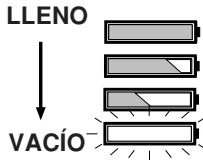
- La grabación con sensor de movimiento comienza si la cámara de vídeo se choca con algo o si se reposiciona.
- Esta función no está disponible durante la grabación normal.
- Mientras se esté en el modo de espera del sensor de movimiento, no estarán disponibles las funciones siguientes: Grabación/Pausa, modo de espera, Digital E.I.S., Efectos de vídeo (Desvanecimiento automático/digital).

Indicaciones en el visor electrónico/monitor LCD

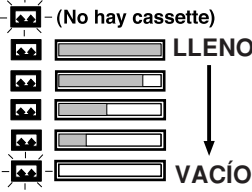
La cinta restante en el cassette y el nivel de carga de la batería pueden ser exhibidos.



Carga restante de la batería:



Cinta restante en el cassette:

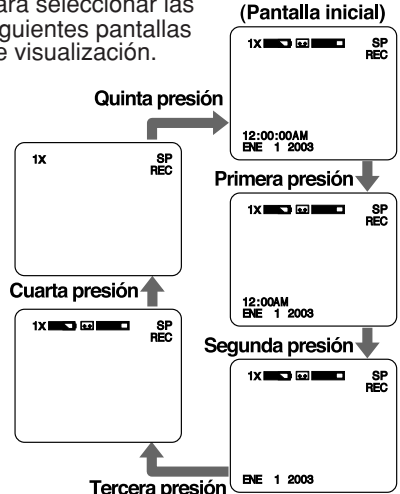


Antes de comenzar...

- Conecte la Palmcorder a una fuente de alimentación.

1 Ajuste **POWER** a **CAMERA**.

2 Presione **DISPLAY** repetidamente para seleccionar las siguientes pantallas de visualización.

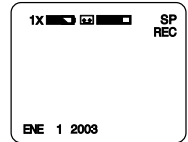
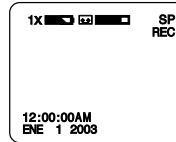


- El indicador de la cinta restante en el cassette funciona unos segundos después de que el cassette comienza a moverse.

Grabación de la fecha y la hora

a Lleve a cabo los pasos 1 y 2 anteriores para seleccionar hora/fecha, fecha solamente, o ninguna pantalla de visualización.

b Dé comienzo a una grabación (página 17).
• Solo se grabarán la Fecha y/o la Hora.



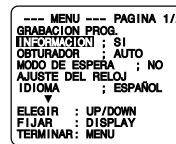
Modo de cancelación de indicación

A Ajuste **POWER** a **CAMERA** o **VCR**.

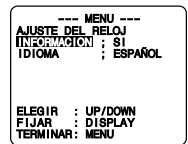
B Presione **MENU** para acceder al modo **MENU**. Presione **UP** o **DOWN** para seleccionar **INFORMACION**.

C Presione **DISPLAY** para seleccionar **NO**. Presione **MENU** para salir del modo **MENU**.

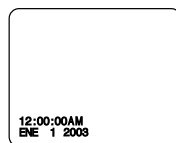
D Presione **DISPLAY** repetidamente para eliminar la hora/fecha.



[Modo CAMARA]



[Modo VCR]

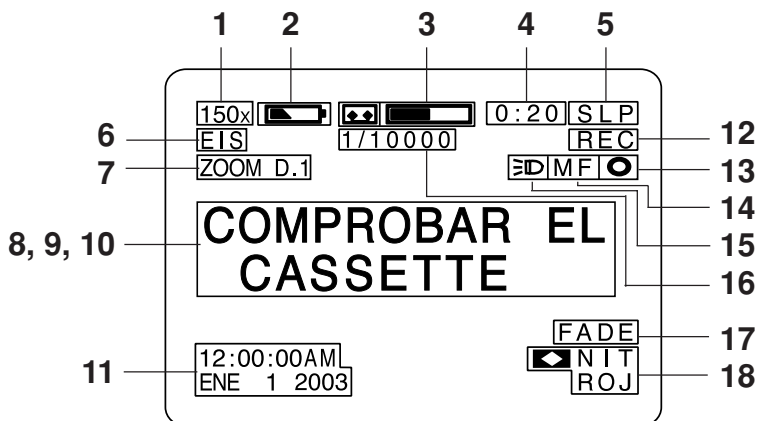


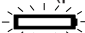
Las indicaciones se restablecen la próxima vez que se enciende la cámara/grabadora.

Para su información

Indicaciones en el visor electrónico/monitor LCD

Modo CAMARA/VCR

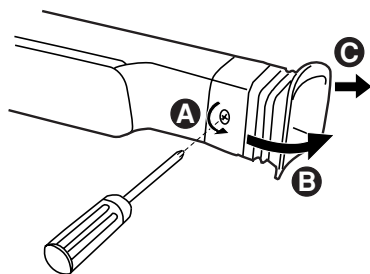


- 1 Nivel de efecto zoom (páginas 23, 28).
- 2 Resto de batería  (página 31).
Si la batería está descargada, aparece "CUIDADO BATERIA BAJA" y la cámara de vídeo se apagará después de que transcurran 15 segundos.
- 3 Cinta restante en el cassette (página 31).
"📀" parpadea y "FINAL DE LA CINTA" aparece durante 5 segundos cuando:
• Se llega al final de la cinta.
"📀" parpadea durante 1 minuto "COMPROBAR EL CASSETTE" aparece durante 5 segundos cuando:
• Se presione RECORD/PAUSE sin que haya un cassette cargado, o cuando se usa cassette desprovisto de su lengüeta de protección contra borrado en el modo CAMERA.
• Cuando se presione PLAY, FF o REW en modo VCR sin que haya un cassette cargado.
- 4 Recordatorio de 10 Segundos
Cada vez que comienza una grabación, cada 10 segundos (hasta 59:50) le indicará la extensión de una escena grabada.
0:00 0:10 0:20 59:50
↑
(vuelve a 0:00 y continúa)
- 5 Velocidad de la cinta (TAPE SPEED) (páginas 11, 17)
SP= reproducción normal
SLP= reproducción larga
- 6 E.I.S. digital (página 29).
- 7 Zoom digital (página 28).
- 8 Indicación VCR-MODE
"MODO DE VCR" aparece durante 1 minuto cuando se ajusta POWER a VCR o cuando se presione RECORD/PAUSE en modo VCR.
- 9 Condensación (DEW)
Si se produce condensación de humedad en la unidad, aparecerá "CUIDADO HUMEDAD", la cámara se apagará después de que transcurran 15 segundos. Espere hasta que "CUIDADO" ya no se muestre más cuando la cámara de vídeo se encienda para su uso.
- 10 Sensor de Movimiento (página 30).
- 11 Fecha y hora (páginas 14, 15).
- 12 Modo de función
• REC (grabación) • PAUSE (pausa)
• FF (avance rápido) • PLAY (reproducción)
• REW (rebobinado)
- 13 Indicación contraluz (página 23).
- 14 Enfoque manual (página 24).
- 15 Luz ON/OFF/AUTO (página 16).
- 16 Alta velocidad de obturación (página 25).
- 17 Desvanecimiento (página 26).
- 18 Desvanecimiento digital a color (página 27).

Notas sobre el funcionamiento

Limpieza del EVF (visor electrónico)

Desmontaje



- 1** **A** Destornillar con un destornillador. Gire en sentido contrario al de las agujas del reloj.
B Gire el ocular EVF.
C Estire el ocular EVF.
- 2** Quite cualquier pelusa o polvo depositada en la lente con un paño suave y limpio teniendo cuidado de no rayar la superficie del cristal.
- 3** Reponga el ocular EVF y el tornillo.

Notificación

Este producto tiene una lámpara fluorescente que contiene una pequeña cantidad de mercurio. También contienen plomo en algunos componentes. La eliminación de estos materiales debe estar regulada en su comunidad debido a consideraciones ambientales. Para mayor información sobre eliminación o reciclaje, favor contacte a sus autoridades locales, o a Electronics Industries Alliance: <<http://www.eiae.org>.>

ATENCIÓN :



Una pila de níquel-cadmio reciclable suministra energía al producto que ha adquirido. Al término de su vida útil, de acuerdo con lo dispuesto por diversas leyes estatales y locales, puede ser ilegal desechar esta batería en el sistema municipal de recolección de desechos. Para mayores detalles sobre cómo reciclar esta batería, llame al 1-800-8-BATTERY.

Para su información

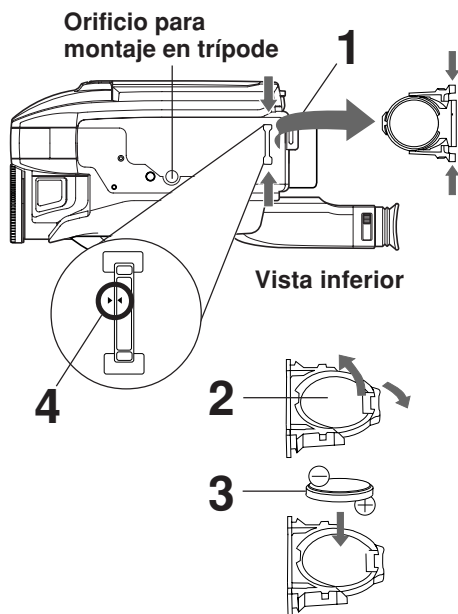
Cambio de la Pila del Reloj

Las pilas del reloj son instaladas previamente. Siga los pasos indicados más abajo si fuera necesario un reemplazo de las mismas.

ADVERTENCIA:

Reemplace la pila solamente por la PIEZA NÚM. VSBW0004 (CR2025) de Panasonic. El uso de otra pila puede constituir riesgo de incendio o explosión. Precaución — la pila puede explotar si es usada en forma incorrecta. Deseche inmediatamente las pilas usadas. Mantener fuera del alcance de los niños. No recargar, desarmar ni desechar en el fuego.

Pila del Reloj



- 1** Mientras presiona las dos pestañas, tire de la Bandeja de Pila hacia afuera.
- 2** Doble la lengüeta del medio hacia fuera y retire la batería.
- 3** Coloque la pila nueva (⊕ marca abajo), en la Bandeja de Pila.
 - No invierta la polaridad.
- 4** Introduzca la Bandeja de Pila de forma tal que las marcas de triángulo coincidan.

Nota:

- Mantenga la pila fuera del alcance de los niños. Si se tragan pueden hacer mucho daño.
- Cuando la pila haya sido instalada en forma incorrecta, cuando esté descargada o cuando no esté instalada, la indicación "PILA DEL RELOJ" aparecerá en el visor.
- La duración de la pila es de aproximadamente 5 años.

Sistema de Accesorio del Palmcorder

Para instrucciones sobre pedidos, consulte la página del formulario para pedido de accesorios.

- Los tiempos de uso de la pila estándar listada están basados en grabación continua utilizando esta Palmcorder.

Núm. de accesorio	Figura	Descripción	Precio
PV-A20		Adaptador de ca con cable de alimentación de cc (Carga de la pila de níquel-cadmio o de hidruro de metal de níquel)	Llame para información sobre el precio.
HHR-V60A/1B		Batería de 6 horas de duración (batería recargable de níquel metal-hidruro)	\$119.95
HHR-V40A/1B		Batería de 4 horas de duración (batería recargable de níquel metal-hidruro)	\$69.95
HHR-V20A/1B		Batería de 2 horas de duración (batería recargable de níquel metal-hidruro)	\$59.95
PV-AA6		Estuche de pila "AA"	\$20.00
PV-C16		Cable de la batería del coche	\$70.00
PV-P1		Adaptador de cassette	\$39.95
PV-H18A		Estuche de transporte acolchado	\$49.95

Nota:

- Los precios están sujetos a cambio sin previo aviso.

Formulario para pedido de accesorios

Por favor fotocopie este formulario cuando realice el pedido.

1. Núm. de modelo de Palmcorder _____

2. Ítems solicitados

Núm. de accesorio	Descripción	Precio unitario	Cantidad	Precio total
Subtotal				
Estado e Impuesto de ventas local				
Envío y manejo				6,95
Total adjunto				

3. Método de pago (marque una casilla)

- Cheque u Orden de pago adjunto con el formulario (NO ENVIOS C.O.D)
- VISA Tarjeta de crédito _____
- Master Card Fecha de expiración _____
- Discover Firma del Cliente _____

Realice el cheque o la orden de pago a nombre de: PANASONIC ACCESSORIES

(Por favor no envíe efectivo)

4. Información del Envío (El reparto UPS requiere de la dirección completa)

Envío para:

Sr.

Sra.

Srta. _____

Nombre _____ Apellido _____

Teléfono No.:

Día () _____

Dirección _____

Noche () _____

Ciudad _____ Estado _____ Código postal _____

PARA OBTENER CUALQUIERA DE NUESTROS ACCESORIOS PALMCORDER USTED PUEDE HACER LO SIGUIENTE:

VISITE SU DISTRIBUIDOR LOCAL PANASONIC

○

LLAME A LA LINEA DE PEDIDOS DE ACCESORIOS PANASONIC AL 1-800-332-5368
[6 AM-5PM LUN-VIE, 6 AM- 10:30 AM SAB, TIEMPO PACIFICO]

○

ENVIE POR CORREO ESTE PEDIDO A: PANASONIC SERVICES COMPANY ACCESSORY
OFICINA DE PEDIDOS

20421 84th Avenue South Kent, WA. 98032

Especificaciones

Fuente de alimentación:	Palmcorder VHS compacta: 6 V cc Adaptador de ca: 110/120/220/240 V ca, 50/60 Hz Batería: tipo níquel-cadmio, 6 V cc
Consumo:	Palmcorder VHS compacta: 6 V cc 8,5 W (máx 11,5 W) Adaptador de ca: 19 W 1,2 W (cuando no está en uso)
Señal de vídeo:	Señal de color NTSC, norma EIA (525 líneas, 60 campos)
Sistema de grabación de vídeo:	Sistema de exploración helicoidal mediante 2 cabezas giratorias
Audio:	1 pista
Sistema de captación:	Sistema secuencial de inversión de campo de diferencia de color
Dispositivo captador:	Dispositivo acoplado a carga (CCD) integral con filtro de color
Objetivo:	Objetivo zoom 26:1, F1:1,6 con control automático de iris Distancia focal: 3,8 mm–98,8 mm Función de zoom motorizado
Visor:	Visor electrónico de cristal líquido de 0,55 plug. (14 mm)
Monitor LCD:	Pantalla de cristal líquido de 4,0 pulgadas (101,6 mm)
Iluminación mínima:	0,8 lx (F1:1,6) 0,08 bujía-pie 7 lx (F1:1,6) 0,7 bujía-pie (EIA)
Temperatura de funcionamiento:	0° C–40° C (32° F–104° F)
Humedad:	10 %–75 %
Peso:	Palmcorder VHS compacta: 1,00 kg 2,21 lb Adaptador de ca: 0,3 kg 0,66 lb
Dimensiones:	Palmcorder VHS compacta: 109,5 (ancho) × 122,5 (alto) × 190,5 (prof) mm 4-5/16 (ancho) × 4-13/16 (alto) × 7-1/2 (prof) pulgadas Adaptador de ca: 68 (ancho) × 41 (alto) × 140 (prof) mm 2-11/16 (ancho) × 1-5/8 (alto) × 5-1/2 (prof) pulgadas

El peso y las dimensiones son aproximados.

El diseño y las especificaciones del producto están sujetos a cambios sin previo aviso.

Antes de solicitar servicio

Si se presenta un problema, tal vez pueda corregirlo usted mismo.

Vea la lista de síntomas y correcciones a continuación:

Síntoma	Corrección
No hay imagen en el monitor LCD o EVF...	<ul style="list-style-type: none"> • Conecte la fuente de alimentación (páginas 9, 10). • Ajuste POWER a VCR o CAMERA (páginas 17, 20). • Verifique la indicación de humedad (página 32). • Utilice batería completamente cargada (página 9). • Conecte firmemente todos los cables requeridos (página 10).
No es posible insertar el videocassette ...	<ul style="list-style-type: none"> • Conecte la fuente de alimentación (páginas 9, 10). • Inserte el cassette con la ventanilla hacia fuera (página 11).
No es posible extraer el videocassette ...	<ul style="list-style-type: none"> • Conecte la fuente de alimentación (páginas 9, 10).
No funcionan los botones de mando...	<ul style="list-style-type: none"> • Verifique la indicación humedad (página 32).
No es posible grabar ...	<ul style="list-style-type: none"> • Asegúrese de que el cassette tenga intacta su lengüeta de protección contra borrados (página 11). • Compruebe el indicador de carga de la batería (página 31). • Verifique la indicación humedad (página 32).
La función de enfoque automático no opera ...	<ul style="list-style-type: none"> • Ajuste FOCUS a AUTO (página 24). • Ajuste POWER a CAMERA. (página 17).
No es posible monitorear el sonido del micrófono ...	<ul style="list-style-type: none"> • Ajuste la unidad al modo REC o Record/Pause.
La imagen de la cámara es demasiado oscura ...	<ul style="list-style-type: none"> • Ajuste OBTURADOR a AUTO (página 25).
No hay imagen de reproducción, o en la imagen de reproducción hay ruido o aparecen franjas ...	<ul style="list-style-type: none"> • Presione UP/DOWN durante la reproducción (control de alineación) (página 20).
El mensaje "Panasonic SE PUEDE REPRODUCIR EN SU VCR ..." aparece en el monitor LCD o EVF ...	<ul style="list-style-type: none"> • Ajuste POWER a CAMERA, luego ajuste DEMOSTRACION: NO en la pantalla de MENU para cancelar el modo Demo (página 7).
Si la parte superior de la imagen de reproducción presenta ondulación excesiva ...	<ul style="list-style-type: none"> • La señal de reproducción no es tan estable como una señal de televisión tomada del aire, de manera que la parte superior de la pantalla de su televisor puede aparecer torcida o inestable durante la reproducción. A esto se le llama "Cambio continuo de tiempo AFC horizontal". Para corregir este efecto, gire lentamente el control de manejo horizontal del televisor. Si el televisor no cuenta con este control, o el ajuste de este no realiza ningún cambio, contacte al centro de servicio del televisor. (Pueden ser necesario el pago de algunos costos.)

Limpieza de las cabezas de vídeo



Cabezales de video sucios

Aunque normalmente la limpieza de cabezales no es necesaria, la reproducción de cintas viejas o dañadas pueden obstruir los cabezales. Cuando la imagen aparezca como en el ejemplo dado a la izquierda, debe limpiar los cabezales.

Idealmente, la limpieza de los cabezales debe realizarse por un técnico cualificado. Cuando esto no sea posible, compre un cassette de limpieza de cabezales. Asegúrese de seguir las instrucciones del cassette de limpieza y utilícelo sólo cuando se presenten síntomas de error.

Solicitud de servicio

Por favor fotocopie este formulario cuando realice la solicitud de servicio.

Solicitud de servicio:

En el caso improbable de que este producto necesite reparación.

- Por favor incluya su prueba de compra. (El no hacerlo demorará la reparación.)
 - Para acelerar la reparación, por favor suministre una explicación sobre el mal funcionamiento de la unidad y sobre los síntomas que presente.
-
-
-

Envíe por correo este formulario diligenciado y su prueba de compra junto con la unidad a:
Panasonic Services Company
1705 N. Randall Road
Elgin, IL. 60123-7847
Atención: Camcorder Repair

Garantía Limitada

PANASONIC CONSUMER ELECTRONICS COMPANY,
DIVISIÓN DE MATSUCHITA ELECTRIC
CORPORATION OF AMERICA
One Panasonic Way Secaucus, New Jersey 07094

PANASONIC SALES COMPANY, DIVISION OF MATSUSHITA
ELECTRIC OF PUERTO RICO, INC.
AVE. 65 de Infertería, Km. 9.5 San Gabriel Industrial Park,
Carolina, Puerto Rico 00985

Productos de vídeo Panasonic/Quasar Garantía Limitada

Cobertura de la garantía limitada

Si su producto no funciona adecuadamente debido a un defecto en materiales o elaboración, Panasonic Consumer Electronics Company o Panasonic Sales Company (a los que se refiere en forma colectiva como "Garante"), durante el período indicado en el diagrama que sigue a continuación, el cual comienza desde la fecha de compra original ("período de garantía"), a su opción (a) arreglará su producto con partes nuevas o restauradas, o (b) reemplazará este producto por uno nuevo. La decisión de arreglar o reemplazar el producto la tomará el garante.

Product	Partes	Labor	Servicio	Números de Contacto
Camcorder	Un (1) Año (excepto Sensor de Imagen CCD) Sensor de Imagen CCD - Seis (6) Meses	Noventa (90) días Noventa (90) días	Transporte directo o Envío por correo	1-800-211-PANA(7262)
Deck DVD/VCR, Mezclador A/V	Un (1) Año	Noventa (90) días	Transporte directo o Envío por correo	1-800-211-PANA(7262)
Combinación TV/VCR, TV/DVD, TV/DVD/VCR	Un (1) Año (excepto CRT) CRT - Dos (2) Años	Noventa (90) días Noventa (90) días	Transporte directo: 21" CRT y más pequeños A domicilio o Transporte directo: 22" CRT y superiores	1-800-211-PANA(7262)
Combinación TV/HDR	Un (1) Año (excepto CRT) CRT - Dos (2) Años	Noventa (90) días Noventa (90) días	A domicilio o Transporte directo	1-888-843-9788
Baterías recargables (se pueden cambiar por estar defectuosas)	Diez (10) días	No se aplica	Transporte directo o Envío por correo	1-800-211-PANA(7262)
Cinta (se puede cambiar por estar defectuosa)	Cinco (5) días	No se aplica	Transporte directo o Envío por correo	1-800-211-PANA(7262)
Tarjetas de memoria (se pueden cambiar por estar defectuosas)	Noventa (90) días	No se aplica	Transporte directo o Envío por correo	1-800-211-PANA(7262)

Durante el período de garantía de la "mano de obra", esta será sin costo alguno. Durante el período de garantía de las "piezas", estas no tendrán costo alguno. Deberá transportar directamente el producto, enviarlo por correo u ordenar el servicio a domicilio, según se aplique, durante el período de garantía. Si están incluidas baterías no recargables, estas no tiene garantía. Esta garantía solo se aplica a productos comprados y o a servicios dentro de los Estados Unidos o Puerto Rico. Esta garantía solo se extiende al comprador original de un producto nuevo que no fue vendido "como es". Se requiere de un recibo de compra u otra prueba de la fecha de compra original antes de que el servicio de garantía sea prestado.

Transporte directo, envío por correo, servicio a domicilio

Para el transporte directo, envío por correo, o servicio a domicilio (como se aplica) en los Estados Unidos llame al número gratuito de contacto que se mencionó anteriormente o visite la página web: <http://www.panasonic.com>

Para asistencia en Puerto Rico llame a Panasonic Sales Company (787)-750-4300 o envíe un fax a (787)-768-2910.

Para el servicio a domicilio, si se aplica, se requiere de un acceso fácil, completo y despejado al producto para el técnico autorizado, lo cual no incluye el traslado e reinstalación de un producto que ya ha sido instalado. Es posible que algunos arreglos a domicilio no se terminen en el domicilio, por lo que se requerirá que el producto o partes de este sean extraídas para diagnósticos en el almacén y/o arreglos y luego devuelto.

Restricciones de la garantía limitada

Esta garantía SOLO CUBRE fallas debidas a defectos en materiales o elaboración, y NO CUBRE el desgaste normal, roturas o daños cosméticos, tampoco cubre marcas o imágenes retenidas en el tubo de imagen como resultado de la visualización de imágenes fijas (incluyendo, entre otras cosas, imágenes de búzon en TVs de pantalla estándar 4:3 o imágenes estándar 4:3 en TVs de pantalla ancha o datos en pantalla en una ubicación estacionaria y fija). La garantía TAMPOCO CUBRE daños que ocurran durante el envío, o fallas que son causadas por productos no suministrados por el garante, o fallas que resulten de accidentes, descuidos, abuso, negligencia, manipulación inadecuada, mala aplicación de las instrucciones, alteración, fallas en la instalación, ajustes de configuración, descuidos en los ajustes de los controles del consumidor, mantenimiento inadecuado, sobrecarga de líneas de alto voltaje, daños iluminación, modificaciones, o uso comercial (tales como en un hotel, oficina, restaurante, u otros negocios), renta del producto, realización del servicio técnico por parte de terceros distintos a un centro de servicio de fábrica u otros centros autorizados, o daños que se atribuyan a fenómenos naturales.

NO EXISTEN GARANTÍAS EXPRESAS EXCEPTO LAS LISTADAS BAJO "COBERTURA DE LA GARANTÍA LIMITADA". EL GARANTE NO SE HACE RESPONSABLE POR DAÑOS ACCIDENTALES O QUE RESULTEN COMO CONSECUENCIA DEL USO DE ESTE PRODUCTO U ORIGINAOS DE CUALQUIER BRECHA DE LA GARANTÍA. (Como por ejemplo, esta excluye daños por pérdida de tiempo, costo por instalación o desinstalación de la unidad por parte de terceras personas si es aplicable, o viajes a y desde el centro de servicio, pérdida de media o imágenes, datos u otros contenidos de memoria grabados. Los ítems listados no son exclusivos, son solo para ilustración).

TODAS LAS GARANTÍAS EXPRESADAS E IMPLÍCITAS, INCLUYENDO LAS GARANTÍAS DE COMERCIALIZACIÓN, ESTÁN LIMITADAS AL PERÍODO DE GARANTÍA.

Algunos estados no permiten la exclusión o la limitación de daños accidentales o críticos, o limitaciones sobre cuanto dura una garantía implícita, por tal motivo las exclusiones o limitaciones pueden no aplicarse a usted.

Esta garantía le da derechos legales y usted puede tener también otros derechos, los cuales varían de estado a estado. Si ocurre un problema con la evolución de este producto durante o después del período de garantía, usted puede contactar a su distribuidor o centro de servicio. Si el problema no es tratado en forma satisfactoria para usted, entonces escriba al departamento de relaciones con el consumidor en la dirección mencionada del garante.

LAS PIEZAS Y SERVICIOS (INCLUYENDO COSTOS DE UNA LLAMADA AL SERVICIO A DOMICILIO, SI SE APLICA) QUE NO CUBRE ESTA GARANTÍA LIMITADA SON SU RESPONSABILIDAD.

Lista de centros de servicio al cliente

Para información del producto, asistencia en el funcionamiento, solicitud de literatura, ubicación de los distribuidores, y todas las preguntas de servicio del cliente, por favor contacte:

1-800-211-PANA (7262), Lunes-Viernes 9 a.m. – 9 p.m.; Sábados-Domingos 10 a.m. – 7 p.m. EST (Hora Normal del Este), o envíe un correo electrónico a: consumerproducts@panasonic.com

Para usuarios TTY con daños auditivos o en el habla, TTY : 1-877-833-8855

Página Web: <http://www.panasonic.com>

Usted puede comprar piezas, accesorios o localizar su centro de servicio más cercano visitando nuestra página web.

Compras de accesorios:

1-800-332-5368 (solo pedidos de clientes)

Para usuarios TTY con daños auditivos o en el habla, TTY : 1-866-605-1277

Panasonic Services Company 20421 84th Avenue South, Kent, WA 98032

(Lunes – Viernes 6 a.m. – 5 p.m. ; Sábados 6 a.m. – 10:30 a.m. ; PST)

(Visa, MasterCard, Discover Card, American Express, Check)

Arreglo de productos

Centro de servicio de fábrica centralizado

ENVIAR CORREO ELECTRÓNICO A : Panasonic Services Company
1705 N. Randall Road,
Elgin, IL 60123-7847

Atención: Reparación de Camcorder

Empaque y envíe cuidadosamente, prepagado, asegurado, al centro de servicio de fábrica centralizado Elgin. Para los clientes en puerto rico, favor enviar o transportar directamente a la dirección que sigue a continuación ("Servicio en Puerto Rico").

Servicio en Puerto Rico

Matsushita Electric de Puerto Rico, Inc. Panasonic Sales Company / Factory Servicenter:

Ave. 65 de Infantería. Km. 9.5 San Gabriel Industrial Park, Carolina, Puerto Rico 00985

Teléfono (787) 750-4300 Fax (787) 768-2910

Válido desde Agosto del 2002

Índice

A		C		L	
Accesorios (Incluidos)	2	Cable de alimentación de cc .	10	Lámpara automática	
Accesorios (Opcionales)	35	Cable de audio/vídeo	21, 22	incorporada	16
Adaptador de ca	10	Cable de conexión VHF	22	Lengüeta	11
Ajuste de brillo	17, 20	Cable para batería de		Limpieza de las cabezas	
Ajuste del reloj	14, 15	automóvil	10	de vídeo	38
Altavoz incorporado	20	Cambio de la pila del reloj	34	Limpieza del EVF	33
Antes de solicitar servicio	38	Carga de la batería	9	Lista de centros de servicio	
		Conector de entrada de cc		al cliente	41
B		(DC IN)	10	Los videocassettes	11
Batería	9, 10	Control ajuste de visión	17		
Botón de apertura del monitor		Control de alineación	20	M	
LCD (LCD-OPEN)	17, 20	Control de volumen		Micrófono incorporado	17
Botón de ascenso/descenso		(VOLUME)	20	Modo de cancelación de	
(UP (FAR) DOWN (NEAR))		Copia de cintas	22	indicación	31
.....	13, 20, 24	Correa de mano	12	Modo de demostración	7
Botón de avance rápido/		Correa para el hombro	12	Modo MENU	13
búsqueda (FAST				Monitor LCD	17, 20
FORWARD/SEARCH)	20	D		O	
Botón de contraluz		Desvanecimiento	26, 27	Obturador de alta velocidad ..	25
(B.LIGHT)	23	E		Orificio para montaje en	
Botón de desvanecimiento		Efectos Especiales	20	trípode	34
(FADE)	26, 27	E.I.S. digital	29	P	
Botón de enfoque manual		Enfoque	24	Pila del reloj	34
(M.FOCUS)	24	Especificaciones	37	PlayPak	21
Botón de grabación/pausa		F		Precauciones para su	
(RECORD/PAUSE)	17	Función de contraluz	23	seguridad	3
Botón de imagen detenida		G		R	
(STILL)	20	Garantía Limitada	40	Reproducción	20, 21
Botón de indicación		Grabación con la cámara 17~19		S	
(DISPLAY)	13, 20, 31	Grabación programada	19	Salida de audio/vídeo	21, 22
Botón de liberación de batería		Guía de operación rápida	8	Sensor de movimiento	30
(BATTERY RELEASE)	9	H		Solicitud de servicio	39
Botón de menú (MENU)	13	Hora veraniega	15	Suministro de energía	9, 10
Botón de parada (STOP)	20	I		T	
Botón de rebobinado/búsqueda		Imagen detenida	20	Tapa del objetivo	12
(REWIND/SEARCH)	20	Indicaciones en el visor		Tiempo de grabación/	
Botón de reproducción		electrónico/monitor LCD		reproducción	11
(PLAY)	20	31, 32	V	
Botón de velocidad de cinta		Información referente a los		Visión	21
(TAPE SPEED)	17	cassettes	11	Z	
Botón de zoom digital		Interruptor de alimentación		Zoom	23, 28
(D.ZOOM)	28	(POWER)	7, 17, 20	Zoom digital	28
Botón de zoom motorizado		Interruptor de expulsión del			
(POWER ZOOM) ..	23, 24, 28	cassette (TAPE EJECT) ..	11, 17		
Botón EIS	29	Interruptor de lámpara			
		(LIGHT)	16		

Panasonic Consumer Electronics Company,
División de Matsuchita Electric Corporation Of America,
One Panasonic Way Secaucus, New Jersey 07094

Panasonic Sales Company ("PSC"),
Division of Matsushita Electric of Puerto Rico, Inc.
AVE. 65 de Infantería, Km. 9.5 San Gabriel Industrial Park, Carolina,
Puerto Rico 00985



Impreso en Indonesia
LSQT0708A
S0203-0