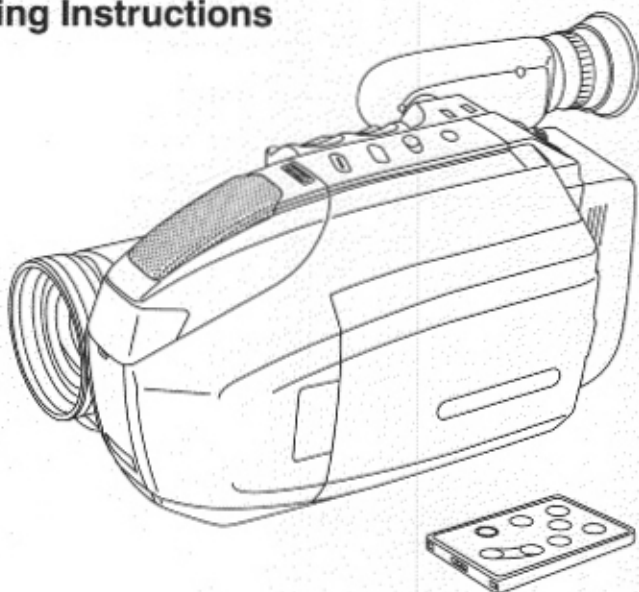


Panasonic®

Palmcorder® PalmSight™

Camcorder

Operating Instructions



VHS

PV-L659

150x / 26x
DIGITAL
ZOOM

4.0"
COLOR LCD
MONITOR

DIGITAL
EIS
STABILIZATION

LED
BUILT-IN LIGHT

2hr.
BATTERY

BRAND
PHRASE
TITLER

Please read these instructions carefully before attempting to operate this product.
Please save this manual.

Guía para rápida consulta en español está incluida.

For assistance, call 1-800-211-PANA(7262)

VQTW0741A

Getting Started

Basic Operation

Special Features

For Your Information

Things You Should Know

Thank you for choosing Panasonic!

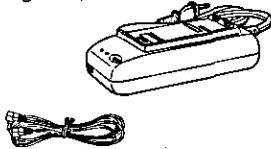
You have purchased one of the most sophisticated and reliable products on the market today. Used properly, it will bring you years of enjoyment. Please take time to fill in the information below. The serial number is on the tag located on the underside of your Camcorder. Be sure to **retain this manual** as your convenient Camcorder information source.

Date of Purchase	_____
Dealer Purchased From	_____
Dealer Address	_____
Dealer Phone No.	_____
Model No.	_____
Serial No.	_____

Unpack your Camcorder

These accessories are provided in order to set up or use your Camcorder.

1 pc. AC Adaptor (PV-A17) with DC Power Cable (page 12)



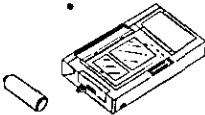
1 pc. Battery Pack (PV-BP18) (pages 10, 11)



1 pc. Audio/Video Cable (VJAW0027/VJAW0032/VJAW0039) (pages 29, 31)



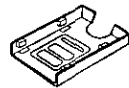
1 pc. VHS PlayPak (PV-P1/VYMW0009) and one "AA" battery (page 30)



1 pc. Shoulder Strap (VYCW0225) (page 14)



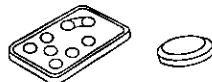
1 pc. Remote Control Holder (VGQ6893) (pages 14, 26)



1 pc. CR2025 Clock Battery (VSBW0004) (installed in Camcorder) (page 50)



1 pc. 8-Function Remote (VSQW0038) with one CR2025 Battery. (page 26)



Remote has been loaded with battery. (page 50)

Things You Should Know





Safety Precautions

WARNING: TO PREVENT FIRE OR SHOCK HAZARD, DO NOT EXPOSE THIS EQUIPMENT TO RAIN OR MOISTURE.

Your Compact VHS Camcorder is designed to record and play back in Standard Play (SP) and Super Long Play (SLP) modes. You can also play a Compact VHS Camcorder recording on your VHS VCR using the VHS PlayPak supplied.

This Camcorder is equipped with the **HQ** System to provide excellent video pictures, and is compatible with standard VHS equipment.

It is recommended that only cassette tapes that have been tested and inspected for use in VCR machines with the **VHS-C** and/or **VHS** mark be used.

	CAUTION RISK OF ELECTRIC SHOCK DO NOT OPEN			This symbol warns the user that uninsulated voltage within the unit may have sufficient magnitude to cause electric shock. Therefore, it is dangerous to make any kind of contact with any inside part of this unit.
CAUTION: TO REDUCE THE RISK OF ELECTRIC SHOCK, DO NOT REMOVE COVER (OR BACK) NO USER-SERVICEABLE PARTS INSIDE REFER SERVICING TO QUALIFIED SERVICE PERSONNEL				This symbol alerts the user that important literature concerning the operation and maintenance of this unit has been included. Therefore, it should be read carefully in order to avoid any problems.

The above markings are located on the appliance bottom cover.

FCC Warning: Any unauthorized changes or modifications to this equipment would void the user's authority to operate.

This device complies with Part 15 of the FCC Rules. Operation is subject to the following two conditions: (1) This device may not cause harmful interference, and (2) this device must accept any interference received, including interference that may cause undesired operation.

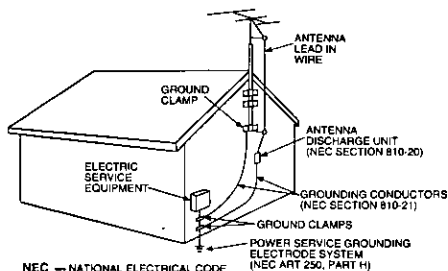
Note: This equipment has been tested and found to comply with Part 15 and part 18 of the FCC Rules. These limits are designed to provide reasonable protection against harmful interference when operated in a residential environment.

If this equipment does cause interference to radio or television reception, which can be determined by turning the equipment off and on, use the equipment in another location and/or utilize an electrical outlet different from that used by the receiver.

If necessary, consult the dealer or an experienced radio/TV technician for help. You may find the booklet, 'Something About Interference' available from FCC local regional offices helpful.

Important Safeguards

1. **Read Instructions** — All the safety and operating instructions should be read before the unit is operated.
2. **Retain Instructions** — The safety and operating instructions should be retained for future reference.
3. **Heed Warnings** — All warnings on the unit and in the operating instructions should be adhered to.
4. **Follow Instructions** — All operating and maintenance instructions should be followed.
5. **Cleaning** — Unplug this video unit from the wall outlet before cleaning. Do not use liquid or aerosol cleaners. Use a dry cloth for cleaning.
6. **Attachments** — Do not use attachments not recommended by the video product manufacturer as they may be hazardous.
7. **Water and Moisture** — Do not use this video unit near water — for example near a bath tub, wash bowl, kitchen sink, or laundry tub, in a wet basement, or near a swimming pool, and the like.
8. **Accessories** — Do not place this video unit on an unstable cart, stand, tripod, bracket, or table. The video unit may fall, causing serious injury to a child or adult, and serious damage to the unit. Use only with a cart, stand, tripod, bracket, or table recommended by the manufacturer, or sold with the video unit. Any mounting of the unit should follow the manufacturer's instructions and should use a mounting accessory recommended by the manufacturer. An appliance and cart combination should be moved with care. Quick stops, excessive force, and uneven surfaces may cause the appliance and cart combination to overturn.
9. **Ventilation** — Slots and openings in the cabinet are provided for ventilation and to ensure reliable operation of the video unit and to protect it from overheating. These openings must not be blocked or covered. Never place the video unit on a bed, sofa, rug, or other similar surface, or near or over a radiator or heat register. This video unit should not be placed in a built-in installation such as a bookcase or rack unless proper ventilation is provided or the manufacturer's instructions have been adhered to.
10. **Power Sources** — This video unit should be operated only from the type of power source indicated on the marking label. If you are not sure of the type of power supply to your home, consult your appliance dealer or local power company. For video units intended to be operated from battery power, or other sources, refer to the operating instructions.
11. **Grounding or Polarization** — This video unit may be equipped with either a polarized 2-wire AC (Alternating Current) line plug (a plug having one blade wider than the other) or 3-wire grounding type plug, a plug having a third (grounding) pin. The 2-wire polarized plug will fit into the power outlet only one way. This is a safety feature. If you are unable to insert the plug fully into the outlet, try reversing the plug. If the plug still fails to fit, contact your electrician to replace your obsolete outlet. Do not defeat the safety purpose of the polarized plug. The 3-wire grounding type plug will fit into a grounding type power outlet. This is a safety feature. If you are unable to insert the plug into the outlet, contact your electrician to replace your obsolete outlet. Do not defeat the safety purpose of the grounding type plug.
12. **Power-Cord Protection** — Power-supply cords should be routed so that they are not likely to be walked on or pinched by items placed upon or against them. Paying particular attention to cords of plugs, convenience receptacles, and the point where they exit from the unit.
13. **Outdoor Antenna Grounding** — If an outside antenna or cable system is connected to the video unit, be sure the antenna or cable system is grounded so as to provide some protection against voltage surges and built-up static charges. Part 1 of the Canadian Electrical Code, in USA Section 810 of the National Electrical Code, provides information with respect to proper grounding of the mast and supporting structure, grounding of the lead-in wire to an antenna discharge unit, size of grounding conductors, location of antenna discharge unit, connection to grounding electrodes, and requirements for the grounding electrode.
14. **Lightning** — For added protection of this video unit receiver during a lightning storm, or when it is left unattended and unused for long periods of time, unplug it from the wall outlet and disconnect the antenna or cable system. This will prevent damage to the video unit due to lightning and power-line surges.



Important Safeguards

15. **Power Lines** — An outside antenna system should not be located in the vicinity of overhead power lines or other electric light or power circuits, or where it can fall into such power lines or circuits. When installing an outside antenna system, extreme care should be taken to keep from touching such power lines or circuits as contact with them might be fatal.
16. **Overloading** — Do not overload wall outlets and extension cords as this can result in a risk of fire or electric shock.
17. **Objects and Liquids** — Never push objects of any kind into this video unit through openings as they may touch dangerous voltage points or short out parts that could result in a fire or electric shock. Never spill liquid of any kind onto the video unit.
18. **Servicing** — Do not attempt to service this video unit yourself as opening or removing covers may expose you to dangerous voltage or other hazards. Refer all servicing to qualified service personnel.
19. **Damage Requiring Service** — Unplug this video unit from the wall outlet and refer servicing to qualified service personnel under the following conditions:
 - a. When the power-supply cord or plug is damaged.
 - b. If any liquid has been spilled onto, or objects have fallen into the video unit.
 - c. If the video unit has been exposed to rain or water.
 - d. If the video unit does not operate normally by following the operating instructions. Adjust only those controls that are covered by the operating instructions, as an improper adjustment of other controls may result in damage and will often require extensive work by a qualified technician to restore the video unit to its normal operation.
 - e. If the video unit has been dropped or the cabinet has been damaged.
 - f. When the video unit exhibits a distinct change in performance — this indicates a need for service.
20. **Replacement Parts** — When replacement parts are required, be sure the service technician has used replacement parts specified by the manufacturer or have the same characteristics as the original part. Unauthorized substitutions may result in fire, electric shock or other hazards.
21. **Safety Check** — Upon completion of any service or repairs to this video unit, ask the service technician to perform safety checks to determine that the video unit is in safe operating order.

Precautions

USE & LOCATION

- **TO AVOID SHOCK HAZARD ...** Your Camcorder and power supply should not be exposed to rain or moisture. Do not connect the power supply or operate your Camcorder if it gets wet. Your Camcorder has been designed for outdoor use, however it is not designed to sustain direct exposure to water, rain, sleet, snow, sand, dust, or a direct splashing from a pool or even a cup of coffee. This action could permanently damage the internal parts of your Camcorder. Do not attempt to disassemble this unit. There are no user serviceable parts inside. Unplug your Camcorder from the power supply before cleaning.
- **DO NOT AIM YOUR CAMCORDER AT THE SUN OR OTHER BRIGHT OBJECTS.**
- **DO NOT LEAVE THE CAMCORDER WITH THE EVF AIMED DIRECTLY AT THE SUN AS THIS MAY CAUSE DAMAGE TO THE INTERNAL PARTS OF THE EVF.**
- **DO NOT EXPOSE YOUR CAMCORDER TO EXTENDED HIGH TEMPERATURE ...** Such as, in direct sunlight, inside a closed car, next to a heater, etc... This action could permanently damage the internal parts of your Camcorder.
- **AVOID SUDDEN CHANGES IN TEMPERATURE ...** If the unit is suddenly moved from a cold place to a warm place, moisture may form on the tape and inside the unit.
- **DO NOT LEAVE YOUR CAMCORDER OR THE POWER SUPPLY TURNED ON WHEN NOT IN USE.**
- **STORAGE OF YOUR CAMCORDER ...** Store and handle your Camcorder in a manner that will not subject it to unnecessary movement (avoid shaking and striking). Your Camcorder contains a sensitive pick-up device which could be damaged by improper handling or storage.

CARE

- **TO CLEAN YOUR CAMCORDER ...** Do not use strong or abrasive detergents when cleaning your Camcorder body.
- **TO PROTECT THE LENS ...** Do not touch the surface of the lens with your hand. Use a commercial camcorder lens solution and lens paper when cleaning the lens. Improper cleaning can scratch the lens coating.
- **TO PROTECT THE FINISH OF YOUR CAMCORDER ...** Before handling your Camcorder, make sure your hands and face are free from any chemical products, such as suntan lotion, as it may damage the finish.

Table of Contents

Getting Started

Things You Should Know	2
Important Safeguards	4
Precautions	5
Self Demo Mode	7
Quick Operation Guide	8
Supplying Power	10
Cassette Information	13
Attaching Shoulder Strap/Remote Holder	14
MENU Mode	15
Setting the Clock	17
Built-in Auto Light	20

Basic Operation

Camera Recording	21
8-Function Remote Control	26
Playing Back Recordings	27
Copying your Tapes (dubbing)	31

Special Features

Four-Speed Power Zoom	32
Backlight	32
Focus	33
High Speed Shutter	34
Tally Lamp	35
Auto Fade	36
Color Digital Fade	37
Digital Zoom	38
Digital Electronic Image Stabilization (E.I.S.)	39
Security Mode	40
Time Lapse	41
Message Mode	42
Intelligent Titler	43

For Your Information

Viewfinder/LCD Monitor Indications	46
Operation Notes	49
Replacing Clock/Remote Battery	50
Palmcorder Accessory System	51
Palmcorder Accessory Order Form	52
Specifications	53
Request for Service Notice	53
Before Requesting Service	54
Warranty	55
Index	57
Spanish Quick Use Guide/Guía Para Uso Rápido	59

Self Demo Mode

Self Demo mode is on when the screen at the right appears. Follow the steps below to turn it off.

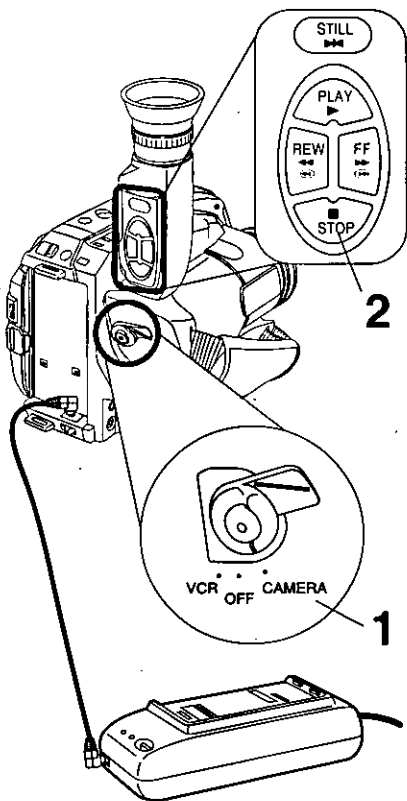
Before you begin...

- Connect Camcorder to power source.

EVF Screen

Panasonic

ITS TAPES PLAY
IN YOUR VCR
YES, IT'S VHS!
26x LENS / 150x D. ZOOM
DIGITAL STABILIZATION
FULL-SIZE HEAD SYSTEM
AUTO/PHRASE TITLER



- 1** Set POWER to CAMERA.
- 2** Hold down STOP over 5 seconds.

Note:

- Self Demo stops automatically if battery is attached (page 10) and cassette tape is inserted (page 13).
- Inserting a tape alone (or attaching a partially charged battery) only temporarily stops Self Demo.
- Self Demo stops for 30 seconds when a function key other than Power, Tape Speed Selector, and Light is pressed.

To turn Self Demo back on.

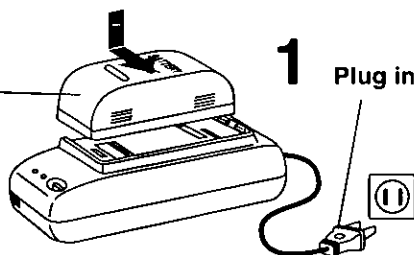
- With DISPLAY held down, slide POWER to CAMERA and wait for Self Demo to begin.

Quick Operation Guide

Charge the Battery Pack

Charge Battery Pack fully before operation (page 10).

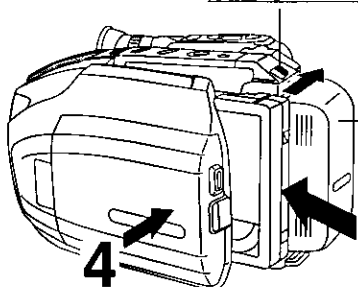
- 2** Insert **Battery**.
CHARGE Lamp
lights and then goes
out when charging is
done.



- 1** Plug in **AC Adaptor**.

Insert Cassette

- 2** Slide **TAPE EJECT** to open door.



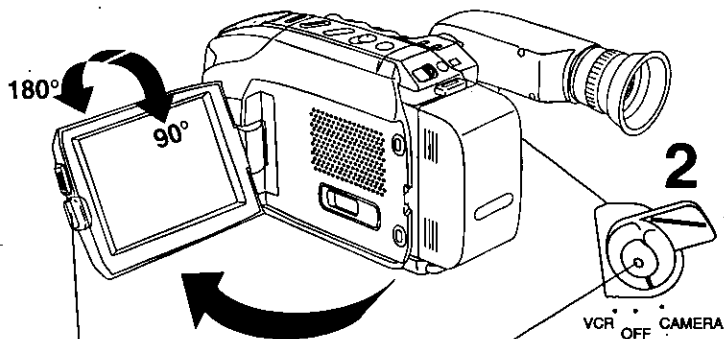
- 1** Attach fully charged **Battery**
(page 10).

- 3** Insert **cassette** (page 13).

Press here to close door.

Camera Recording

When the LCD monitor is fully open, the Viewfinder automatically turns OFF (page 22).



- 1** Press **LCD-OPEN** to unlock the
LCD monitor. Swing it fully open
and adjust the angle.

- 2** Set **POWER** to
CAMERA.
- 3** Press **RECORD/PAUSE** to start
recording.
Press **RECORD/PAUSE** again to
pause recording.

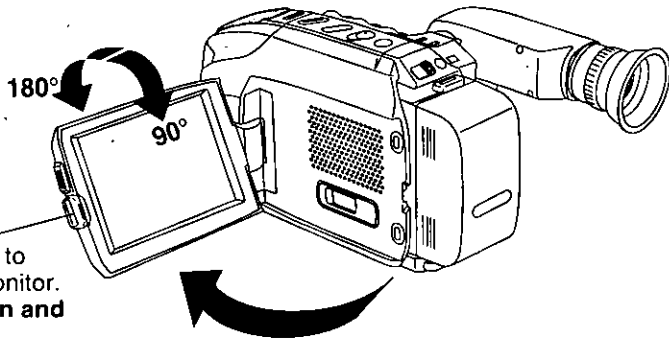
Quick Operation Guide

Playback using the LCD Monitor

Before you begin...

- Charge Battery Pack fully before operation (page 10).

When the LCD monitor is fully open, the Viewfinder automatically turns OFF (page 27).

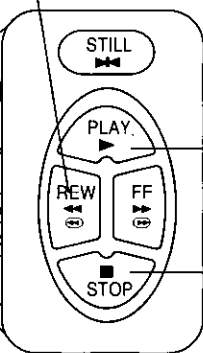
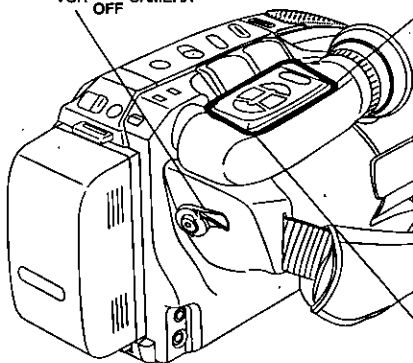


- 1** Press **LCD-OPEN** to unlock the LCD monitor. Swing it fully open and adjust the angle.

- 2** Set **POWER** to **VCR**.



- 3** Press **REWIND/SEARCH** to rewind tape.

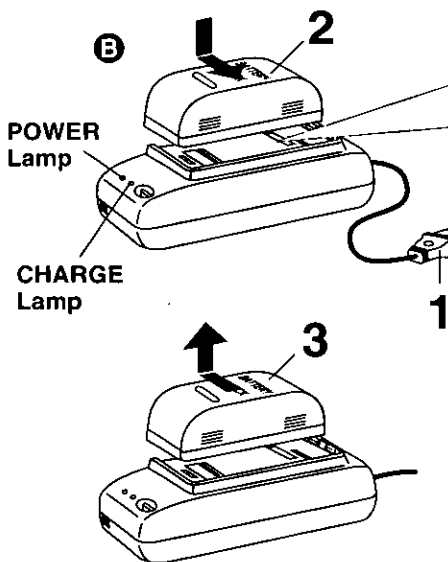


- 4** Press **PLAY** to start playback.
- 5** Press **STOP** to stop playback.

Supplying Power

Charge the Battery Pack

Charge Battery Pack fully before use.



1 Plug in AC Adaptor.

POWER Lamp lights.

2 Insert Battery.

A Align right side of Battery with line on AC Adaptor.

B Press Battery down and slide in direction of arrow.

CHARGE Lamp lights and then goes out when charging is done (approx. 1 and 1/2 hours).

3 Remove Battery.

Slide Battery out and off.

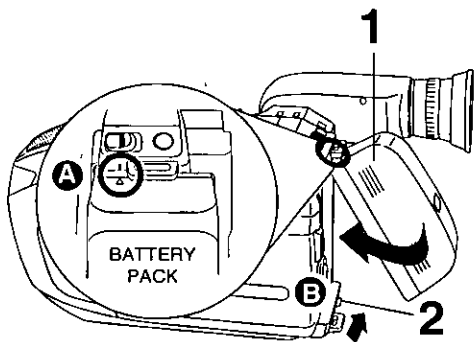
Note:

After recharging 5 times, use BATTERY REFRESH feature as explained on page 11.

- Battery life gradually decreases after repeated use and recharging. If operation time becomes very short even after a sufficient charge, discard Battery properly (page 11).

Use the Battery Pack

A fully charged Battery provides a maximum of about 2 hours of continuous use (LCD monitor off) or about 1.5 hours (LCD monitor on). Actual time may vary due to operating conditions. Using the Built-in Light decreases operating time.



1 Attach Battery

A Align Battery with top of mounting surface.

B Press and snap into place.

2 Remove Battery

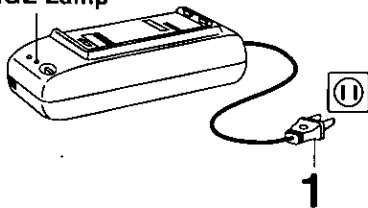
While sliding BATTERY RELEASE, remove Battery.

Supplying Power

Battery Refresh

This feature completely discharges Battery before recharging begins. Use after about every 5 charges for optimum Battery performance.

CHARGE Lamp



1

Plug in AC Adaptor.

- POWER Lamp stays on as long as Adaptor is plugged in.

2

Place Battery into Adaptor.

3

Press BATTERY REFRESH.

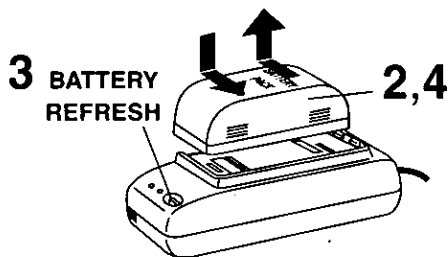
The CHARGE Lamp flashes during discharge then stays lit until charging is complete.

If BATTERY REFRESH is pressed by mistake, remove Battery from Adaptor and reinsert it for normal charging.

4

Remove Battery.

- Charging takes about 7 and 1/2 hours when Battery Refresh is used.
- Battery will not operate in extremely high temperatures.



Battery Care

Caution:

- Charge only with specified charger.
- Battery can be charged within a temperature range of 50° F (10° C) and 95° F (35° C).
- Battery is normally warm after charging or just after use.
- Do not use an insufficiently charged or worn-out Battery.

Safety precautions:

- Do not get Battery near, or dispose of in fire.
- Do not directly connect (short circuit) the positive (+) and negative (-) terminals.
- Never attempt to disassemble or reassemble Battery.

To avoid Battery damage:

- Do not drop or jar Battery.
- Use Battery with specified units only.
- If Battery is used in extremely high temperatures, a safety device will automatically prevent operation.

To prolong Battery life:

- While not in use, remove Battery from the Camcorder and AC Adaptor and store in a cool, dark, dry place.
- Keep Battery terminals clean.

U.S.A. CONSUMERS:

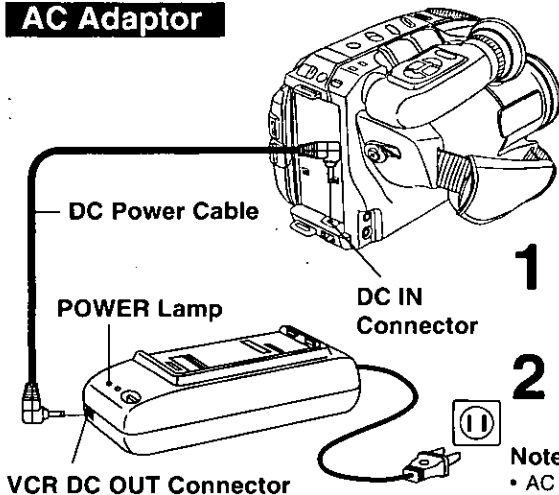
ATTENTION:

The product you have purchased is powered by a nickel cadmium battery which is recyclable. At the end of its useful life, under various state and local laws, it is illegal to dispose of this battery into your municipal waste stream. Please call 1-800-8-BATTERY for information on how to recycle this battery.



Supplying Power

AC Adaptor



1 Connect AC Adaptor VCR DC OUT to Camcorder DC IN with supplied DC Power Cable.

2 Plug in AC Adaptor. POWER Lamp lights.

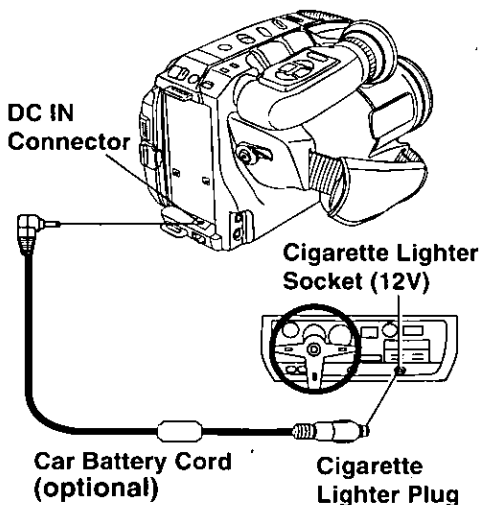
Notes:

- AC Adaptor cannot power Camcorder while charging Battery.
- When not in use, unplug AC Adaptor from AC outlet. (Adaptor uses 1.2 W of electricity while plugged in.)

CAUTION:

This unit will operate on 110/120/220/240V AC. An AC plug adaptor may be required for voltages other than 120V AC. Please contact either a local or foreign electrical parts distributor for assistance in selecting an alternate AC plug. We recommend using the accessory power plug adaptor (VJSS0070) in an area which has special AC outlets.

Car Battery Cord (Optional)



1 Connect PV-C16 Car Battery Cord (optional) to Camcorder DC IN.

2 **A** Start engine first.
B Plug Car Battery Cord into Cigarette lighter socket.

- If Car Battery cord fuse needs replacing, use exact current rating (in amps).

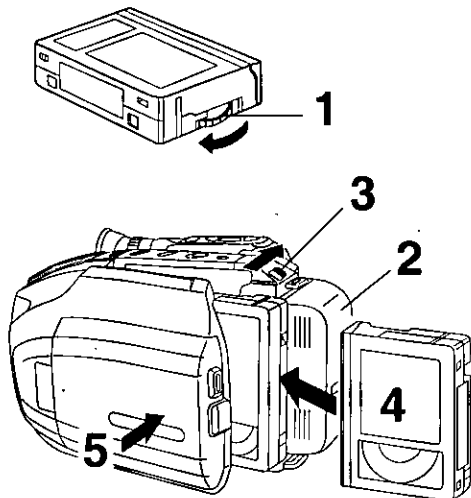
Notes:

- This cord only works in vehicles equipped with DC 12V (**negative ground**) battery. Check with your car/truck dealer. Use only specified car battery cord.
- To avoid blowing the car battery cord fuse, do step 2 in the proper order.
- Running vehicles must be well ventilated.
- When not in use, disconnect cigarette lighter plug.

Cassette Information

Getting Started

Cassette Insertion/Removal



- 1** Turn **Tape Wheel** in direction of arrow until there is no slack.
- 2** Attach **Battery** (page 10).
- 3** Slide **TAPE EJECT** to open door.
- 4** Insert **cassette** as shown.
- 5** Press here to close door.

• To remove the cassette, slide the **TAPE EJECT** switch.

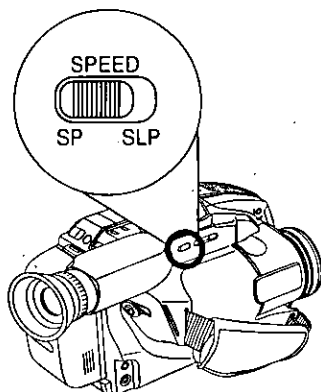
Record/Playback Time

Use tapes with the **VHS C** mark in this unit.

TAPE SPEED Selector

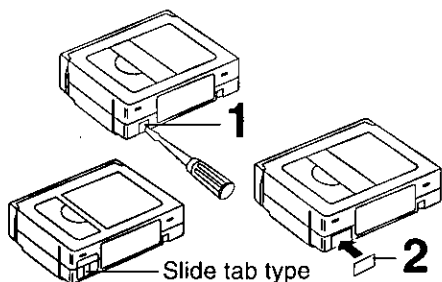
Tape Speed Selector Position	Cassette type		
	TC-20	TC-30	TC-40
SP (Standard Play)	20 minutes	30 minutes	40 minutes
SLP (Super Long Play)	1 hour	1 hour 30 minutes	2 hours

• SLP playback may contain more picture noise.



Erase Protection Tab

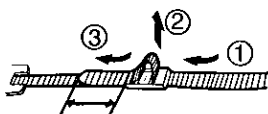
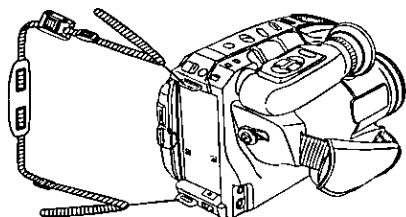
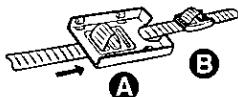
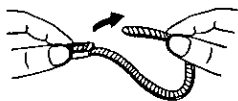
A record tab ensures recordings are not accidentally erased.



- 1** To prevent erasure, **break off tab** with screwdriver. (Or, slide tab open.)
- 2** To record again, **cover hole** with adhesive tape. (Or, slide tab closed.)

Attaching Shoulder Strap/Remote Holder

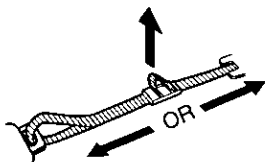
Remove Battery Pack before doing steps.



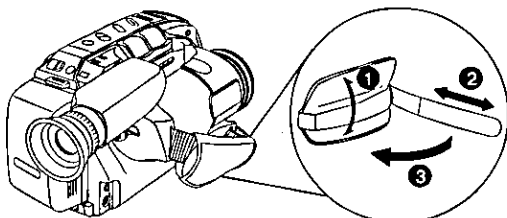
min. 1 inch (25.4mm)



Adjusting the Length



Hand Strap



Adjust Hand Strap length to fit your hand as shown.

1 Undo strap ends from buckles.

2 Remove one buckle.

3 **A** Thread strap (with no buckle) through Remote Holder so it faces outward.

B Replace buckle.

4 Thread strap ends through Strap Rings on Camcorder.

5 Re-insert the strap ends into buckles.

6 Insert Remote into Holder when not in use.

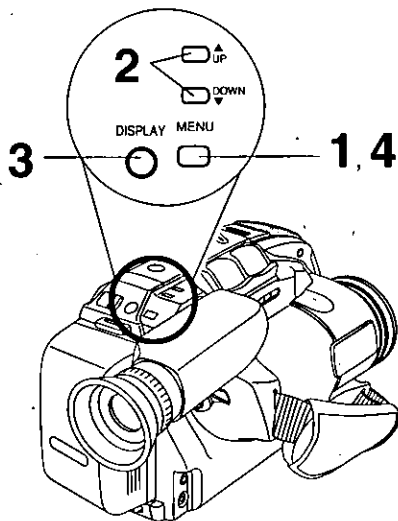
1 Pull a loop of strap from buckle.

2 Pull strap tight to shorten or lengthen.

Using MENU Mode

Before you begin...

- Connect Camcorder to power source.
- Set POWER to CAMERA.



1 Press MENU for MENU mode.

```
--- MENU --- PAGE 1/2
PROGRAMMED REC
TITLE      : AUTOMANUAL
TALLY LAMP : ON
STAND-BY RELEASE : OFF
DISP SET
↓
SELECT : PUSH ▼/▲ KEY
SET     : PUSH DISPLAY KEY
END     : PUSH MENU KEY
```

2 Press UP ▲ or DOWN ▼ to highlight menu item.

3 Press DISPLAY to set selection.

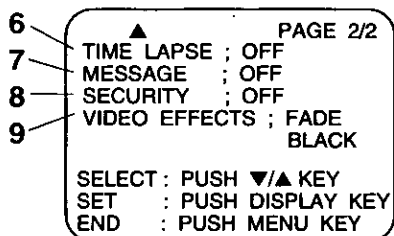
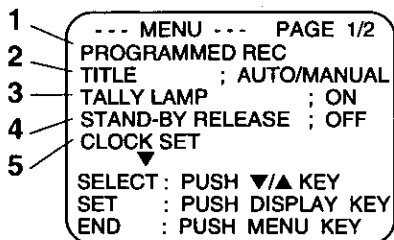
4 Press MENU to exit.

Note:

- The Menu mode is canceled if UP/DOWN(▲/▼), DISPLAY, or MENU are not pressed within 5 minutes.

MENU Mode

MENU Mode Screen



- 1 **PROGRAMMED REC** (page 25).
Camcorder starts and stops recording at a preset time.
- 2 **TITLE** (pages 43~45).
AUTO/MANUAL : 16 items
PHRASE : 10 items
- 3 **TALLY LAMP** (page 35).
ON: lamp lights during recording.
- 4 **STAND-BY RELEASE** (page 23).
ON: enables quick resumption of recording from Stand-by mode.
- 5 **CLOCK SET** (pages 17~19).
Select to set clock.
- 6 **TIME LAPSE** (page 41).
ON: enables TIME LAPSE recording.
- 7 **MESSAGE** (page 42).
ON: enables MESSAGE recording.
- 8 **SECURITY** (page 40).
MOTION: enables Motion Security recording.
- 9 **VIDEO EFFECTS** (pages 36, 37).
AUTO FADE : BLACK or WHITE
DIGITAL FADE : TYPE → 7 types
COLOR → 8 colors

Setting the Clock

Set the following items in order: Time Zone, Daylight Saving Time, Date and Time.

Setting the Time Zone

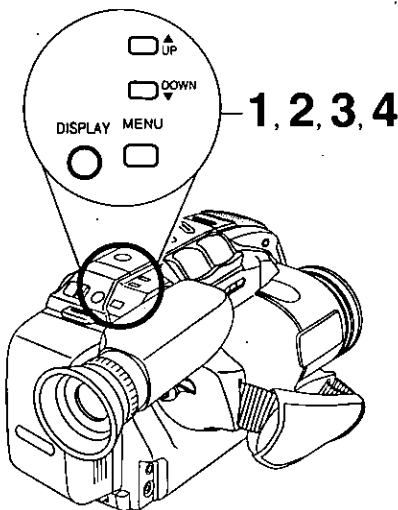
The Camcorder is preset to Eastern time. To change time zone, do steps at right.

Before you begin...

- Connect Camcorder to power source.
- Set POWER to CAMERA.

Note:

- Setting POWER to VCR also displays CLOCK SET menu.
- Clock may lose or gain up to 2 minutes per month. To adjust, see page 19.



- 1 Press **MENU** for MENU mode. Press **UP ▲** or **DOWN ▼** to select **CLOCK SET**.

```
--- MENU --- PAGE 1/2
PROGRAMMED REC
TITLE : AUTOMANUAL
TALLY LAMP : ON
STAND-BY RELEASE : OFF
CLOCK SET
↓
SELECT : PUSH ▼/▲ KEY
SET : PUSH DISPLAY KEY
END : PUSH MENU KEY
```

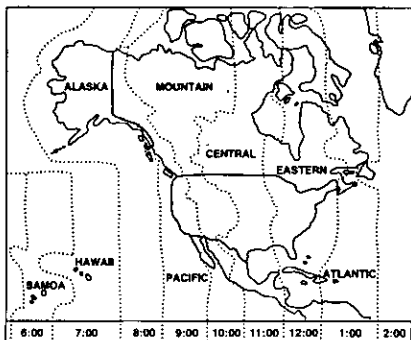
- 2 Press **DISPLAY** for CLOCK SET menu. Press **UP ▲** or **DOWN ▼** to select **TIME ZONE**.

```
--- CLOCK SET ---
TIME ZONE : EASTERN
D.S.T. : AUTO
DATE/TIME : 12:00:00AM
JAN 1 1999
↓
SELECT : PUSH ▼/▲ KEY
SET : PUSH DISPLAY KEY
END : PUSH MENU KEY
```

- 3 Press **DISPLAY** for SELECT TIME ZONE menu. Press **UP ▲** or **DOWN ▼** to select local time zone.

```
--- SELECT TIME ZONE ---
ATLANTIC : PACIFIC
EASTERN : ALASKA
CENTRAL : HAWAII
MOUNTAIN : SAMOA
↓
SELECT : PUSH ▼/▲ KEY
SET : PUSH DISPLAY KEY
```

Time Zone chart



- 4 Press **DISPLAY** to confirm entry. Press **MENU** twice to exit.

- When traveling, repeat these steps and select one of the 8 listed time zones to set the clock to local time.

Note:

When traveling outside the listed time zones, set clock to local time manually (page 19).

Setting the Clock

Auto Daylight Saving Time

Clock will auto-adjust to daylight-saving time (DST).

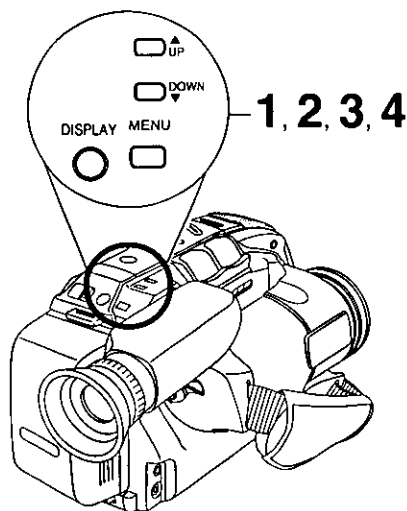
The Camcorder is preset to DST: **AUTO**. If DST is not observed in your area, set to **OFF** by doing the following steps.

Before you begin...

- Connect Camcorder to power source.
- Set **POWER** to **CAMERA**.

Note:

- When **POWER** is set to **VCR**, **CLOCK SET** menu appears.
- Auto DST does not function if time zone is set to **Hawaii** or **Samoa** (page 17).



- 1 Press **MENU** for **MENU** mode. Press **UP ▲** or **DOWN ▼** to select **CLOCK SET**.

```
--- MENU --- PAGE 1/2
PROGRAMMED REC
TITLE      : AUTOMANUAL
TALLY LAMP : ON
STAND-BY RELEASE : OFF
CLOCK SET
↓
SELECT : PUSH ▼/▲ KEY
SET    : PUSH DISPLAY KEY
END    : PUSH MENU KEY
```

- 2 Press **DISPLAY** for **CLOCK SET** menu. Press **UP ▲** or **DOWN ▼** to select **D.S.T.**

```
--- CLOCK SET ---
TIME ZONE : EASTERN
D.S.T.   : AUTO
DATE/TIME : 12:00:00AM
           JAN 1 1999
SELECT : PUSH ▼/▲ KEY
SET    : PUSH DISPLAY KEY
END    : PUSH MENU KEY
```

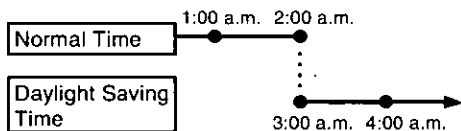
- 3 Press **DISPLAY** for **DAYLIGHT SAVING TIME** menu. Press **UP ▲** or **DOWN ▼** to select **OFF** or **AUTO**.

```
--- DAYLIGHT SAVING TIME ---
AUTO
OFF
SELECT : PUSH ▼/▲ KEY
SET    : PUSH DISPLAY KEY
```

- 4 Press **DISPLAY** to confirm entry. Press **MENU** twice to exit.

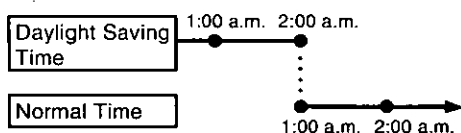
Spring (First Sunday in April):

DST: AUTO = ahead one hour.



Autumn (Last Sunday in October):

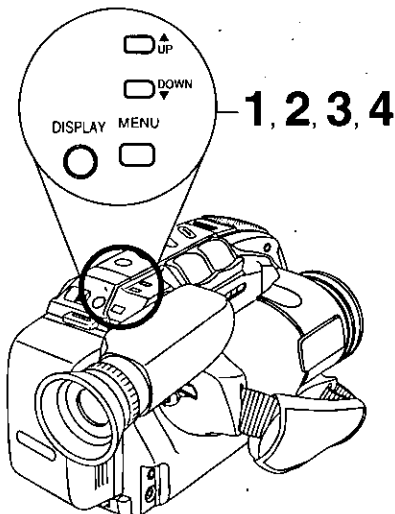
DST: AUTO = back one hour.



Setting the Clock

Setting Date and Time

Date and time including leap year are calculated up to DEC 31, 2097.



Getting Started

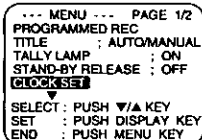
Before you begin...

- Connect Camcorder to power source.
- Set **POWER** to **CAMERA**.

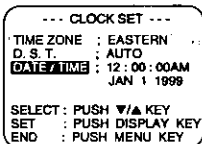
Note:

- When **POWER** is set to **VCR**, **CLOCK SET** menu appears.

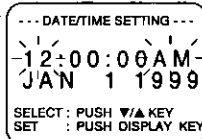
- 1 Press **MENU** for **MENU** mode.
Press **UP ▲** or **DOWN ▼** to select **CLOCK SET**.



- 2 Press **DISPLAY** for **CLOCK SET** menu. Press **UP ▲** or **DOWN ▼** to select **DATE/TIME**.



- 3 Press **DISPLAY** for **DATE/TIME** menu.

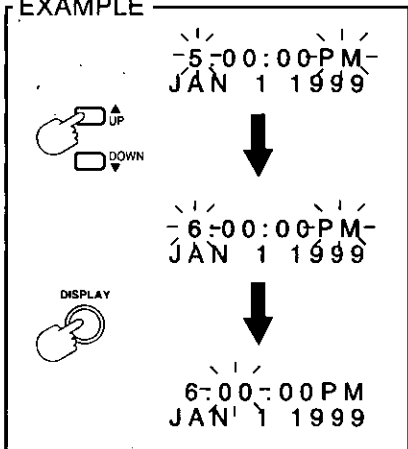


- 4 Press or hold down **UP ▲** or **DOWN ▼** to select hour, then press **DISPLAY** to fix.

Repeat for minute, month, day, and year. Clock starts when year is entered.

Press **MENU** twice to exit.

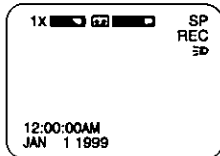
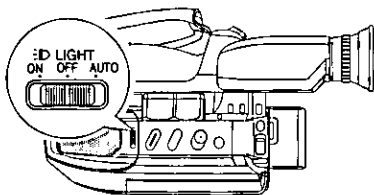
EXAMPLE



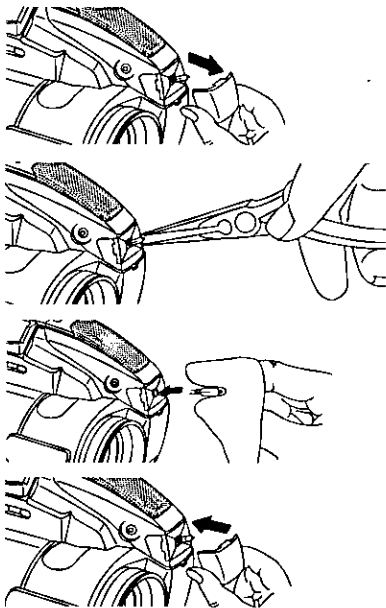
Built-in Auto Light

Using the Light

For recording in dim lighting.



Replacing the Bulb



DANGER:

Use only replacement bulb (PART NO. VLLW0015) supplied by Panasonic to reduce risk of fire.

Handle new bulb with cloth or tissue as skin oils will decrease bulb life.

Remove lens cover and allow bulb to cool before replacing to avoid possible burn hazard.

Before you begin...

- Connect Camcorder to power source.
- Set POWER to CAMERA.

Set LIGHT to AUTO.

Light turns on/off automatically according to lighting conditions.

Or, set LIGHT to ON/OFF manually.

☺ appears in EVF when Light is on.

Caution:

Light becomes hot. Never cover Light while on.

Before you begin...

- Order Part No. VULS0001 (VLLW0015 and cushions) for replacement bulb unit.
- Set POWER to OFF.

1

Press in on both sides of lens cover and pull straight out and off.

2

Using Tweezers or needle-nose pliers, carefully remove bulb.

- Take unit to service center if you need assistance.

3

Replace bulb using a clean cloth or tissue.

4

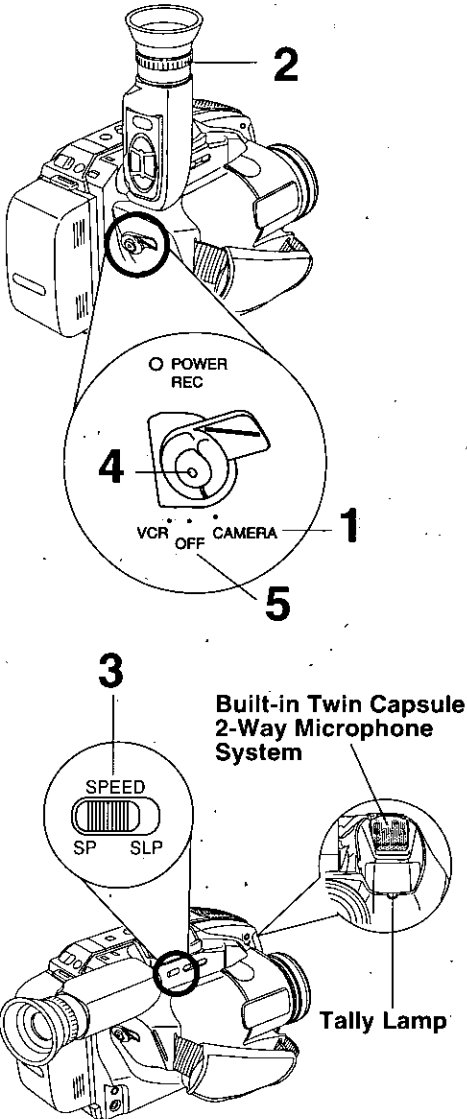
Replace lens cover.

Note:

- Using Light reduces battery operating time.
- Provide proper ventilation when using Light extensively in hot environment.
- Using Light when the Camcorder is powered by a car battery may shorten bulb life.
- Set Light to OFF when not in use.
- Handle bulb gently. Excessive force may cause bulb to crack.

Camera Recording

Simple Recording



Before you begin...

- Connect Camcorder to power source.
- Insert cassette with record tab (page 13).

1 Set **POWER** to **CAMERA**.

Lens Cover opens.

EVF

- Be sure **POWER** is fully turned to **CAMERA** position.

PAUSE

Record/Pause mode.

2 Look into Viewfinder and adjust **Vision Adjustment control** to your eyesight.

3 Slide **TAPE SPEED** to SP or SLP (page 13).

4 Press **RECORD/PAUSE** to start or pause recording.

REC lamp lights during recording. Tally lamp also lights if set to ON (page 35).

RECORD

5 Set **Power** to **OFF** when finished.

- To remove cassette, slide **TAPE EJECT** in Record/Pause mode. (page 13).

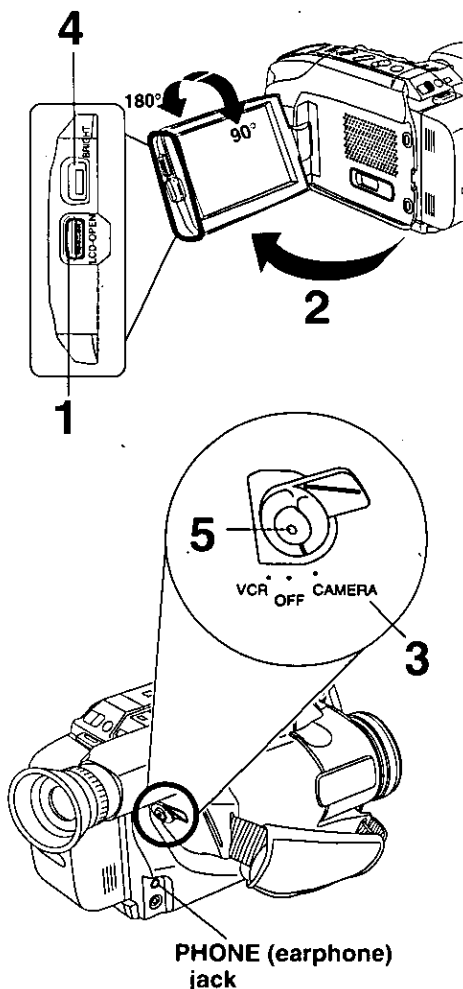
Note:

- When Camcorder is aimed at excessively bright objects, or bright lights, a vertical bar may appear in the picture. This is normal for the CCD pick-up. Try to avoid this when possible.

Camera Recording

Using the LCD Monitor

View recording scene on the LCD (Liquid Crystal Display).



Before you begin...

- Connect Camcorder to power source.
- Insert cassette with record tab (page 13).

1 Press **LCD-OPEN** to unlock LCD.

2 Swing **LCD fully open** and adjust viewing angle.

Caution:

Rotating partially open LCD monitor may block cassette door and damage Camcorder body.

3 Set **POWER to CAMERA**.

- LCD monitor turns off/on by the POWER switch.
- Viewfinder shuts off when LCD is fully opened and turns back on when LCD is closed completely.
- Both Viewfinder and LCD monitor turn on when LCD is at 180° (see below left).

This allows both you and the subject to view the recording.

4 Turn **BRIGHT** control to adjust LCD brightness level.

5 Press **RECORD/PAUSE** to start recording (page 21).

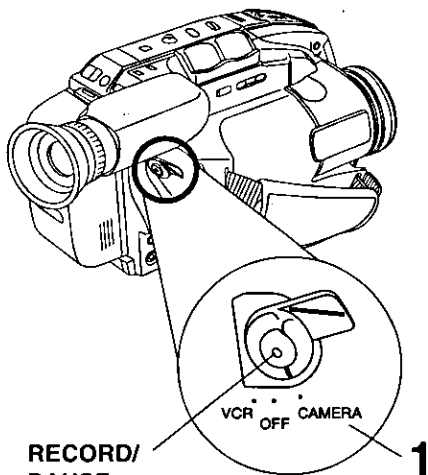
Note:

- Using LCD reduces battery operation time.
- To hear sound while recording, connect earphone (M3 type: not supplied) to PHONE jack. Earphone volume cannot be changed while in CAMERA mode.
- Lock LCD closed when not in use.

Camera Recording

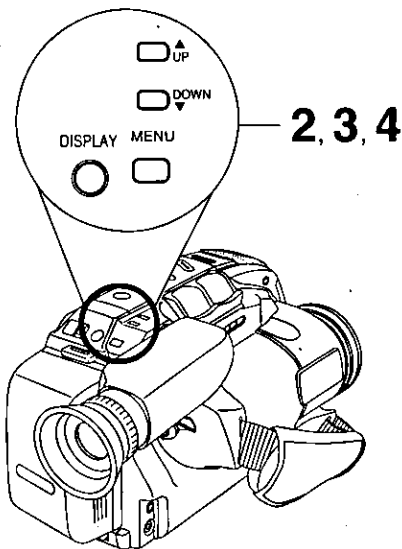
Stand-by Quick Release

If left in RECORD/PAUSE mode for 5 minutes, Camcorder switches to Stand-by mode to conserve battery. When set to ON, Stand-by Quick Release lets you resume recording by pressing RECORD/PAUSE two times. New camcorders will default to OFF.



RECORD/
PAUSE

1



2, 3, 4

Before you begin...

- Connect Camcorder to power source.
- Insert cassette with record tab (page 13).

1 Set POWER to CAMERA.

2 Press MENU for MENU mode.
Press UP ▲ or DOWN ▼ to select
STAND-BY RELEASE.

```
--- MENU --- PAGE 1/2
PROGRAMMED REC
TITLE       : AUTO/MANUAL
TALLY LAMP  : ON
STAND-BY RELEASE : ON
CLOCK SET
↓
SELECT : PUSH ▼/▲ KEY
SET     : PUSH DISPLAY KEY
END     : PUSH MENU KEY
```

3 Press DISPLAY to select ON/OFF.

ON: From Stand-by mode,
press RECORD/PAUSE two times
to resume recording.

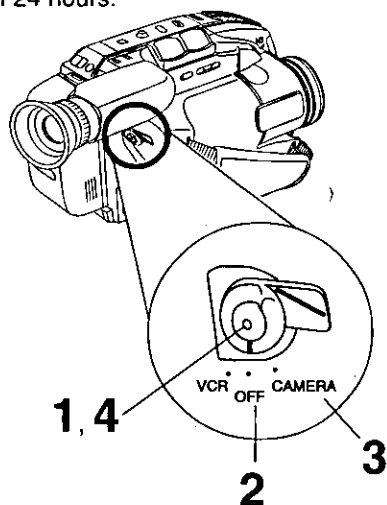
OFF: From Stand-by mode,
set POWER to OFF, then to
CAMERA.
Press RECORD/PAUSE to record.

4 Press MENU to exit.

Camera Recording

Easy Edit Stand-by

For a smooth transition between scenes if recording is stopped, and then started within 24 hours.



Before you begin...

- Connect Camcorder to power source.
- Insert cassette with record tab (page 13).

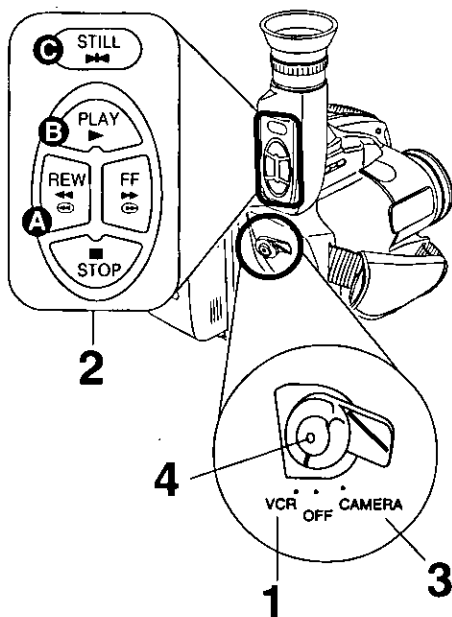
- 1** Press **RECORD/PAUSE** to stop recording.
- 2** Set **POWER** to **OFF** and leave cassette in Camcorder.
- 3** To resume recording, set **POWER** to **CAMERA**.
- 4** Press **RECORD/PAUSE** to resume recording.

Note:

- Use Manual Easy Edit (below) if more than 24 hours before recording is resumed.

Manual Easy Editing

For proper continuity when taping from Stop mode or after attaching a new Battery.



Before you begin...

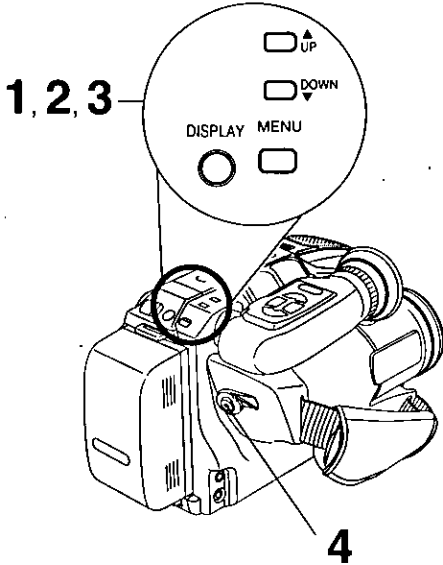
- Connect Camcorder to power source.
- Insert cassette with record tab (page 13).

- 1** Set **POWER** to **VCR**.
- 2** **A** Press **REWIND/SEARCH** to rewind a few seconds of tape.
B Press **PLAY** to review recording.
C Press **STILL** where you want to continue recording.
- 3** Set **POWER** to **CAMERA**.
- 4** Press **RECORD/PAUSE** to resume recording.

Camera Recording

Programmed Recording

Set a recording start and stop time. Or, set a 5 or 10 second interval recording to be done each minute.



Before you begin...

- Connect Camcorder to power source. Use AC Adaptor for longer recordings.
- Insert cassette with record tab (page 13).
- Set POWER to CAMERA.

- 1** Press **MENU** for MENU mode. Press **UP ▲** or **DOWN ▼** to select **PROGRAMMED REC.**

```

--- MENU --- PAGE 1/2
PROGRAMMED REC
TITLE      : AUTOMANUAL
TALLY LAMP : ON
STAND-BY RELEASE : OFF
CLOCK SET
SELECT : PUSH  $\nabla/\blacktriangle$  KEY
SET    : PUSH DISPLAY KEY
END    : PUSH MENU KEY
  
```

- 2** Press **DISPLAY**. (Current time is displayed.) Each additional press of **DISPLAY** increases start time by 30 minutes.

```

START : 10:20PM
REC TIME : 10MIN.
SELECT : PUSH  $\nabla/\blacktriangle$  KEY
SET    : PUSH DISPLAY KEY
START  : PUSH RECORD KEY
CANCEL: PUSH MENU KEY
10:20:00PM
  
```

- 3** Press **DOWN ▼** to select **REC TIME**. Press **DISPLAY** repeatedly to select one of the options shown at the left.

```

START : 10:30PM
REC TIME : 10MIN.
SELECT : PUSH  $\nabla/\blacktriangle$  KEY
SET    : PUSH DISPLAY KEY
START  : PUSH RECORD KEY
CANCEL: PUSH MENU KEY
10:20:00PM
  
```

To cancel the setup, press **MENU** twice.

- 4** Press **RECORD/PAUSE** to place Camcorder in stand-by mode.

```

STAND-BY
START : 10:30PM
REC TIME : 10MIN.
10:20:00PM
JUN 1 1999
  
```

Recording will be done as scheduled.

10MIN. — 20MIN. — 30MIN. — TO TAPE END

INTERVAL *2 INTERVAL *1
10 SEC/MIN. 5 SEC/MIN.

*1 Interval 5 SEC/MIN:
Record 5 second each minute.

*2 Interval 10 SEC/MIN:
Record 10 second each minute.

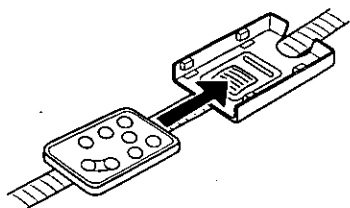
Note:

- Start time may not be set over 24 hours from current time.
- Camcorder shuts off at tape end, or 12 hours after Interval Recording starts.
- To cancel, set POWER to OFF.

Basic Operation

8-Function Remote Control

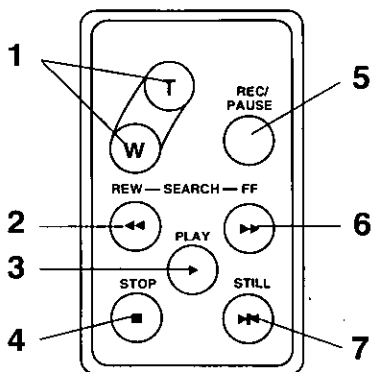
Remote Control Holder



When not in use, slide remote into its holder on the shoulder strap (page 14).

Remote Control Operation

Operate Camcorder's main function up to about 16 feet (5 m) away.
Aim remote at sensor on Camcorder.

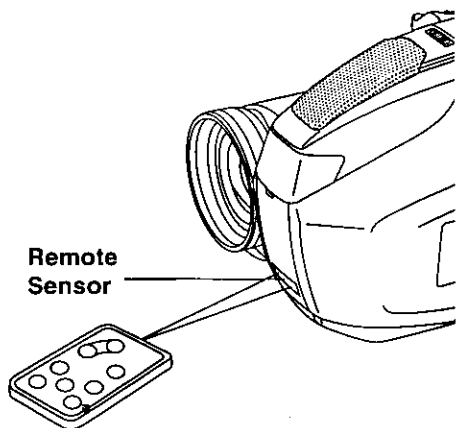


Controlled Functions

- 1 **POWER ZOOM**
page 32.
- 2 **REWIND/SEARCH**
page 27.
- 3 **PLAY**
page 27.
- 4 **STOP**
See page 27.
- 5 **RECORD/PAUSE**
page 21.
- 6 **FAST FORWARD/SEARCH**
page 28.
- 7 **STILL**
page 28.

Important Note:

- After 5 minutes in Rec/Pause mode, the camcorder will shut off to conserve battery power. If recording is resumed within 30 minutes, press REC/PAUSE two times. If over 30 minutes, set POWER to OFF, then CAMERA, then press REC/PAUSE.

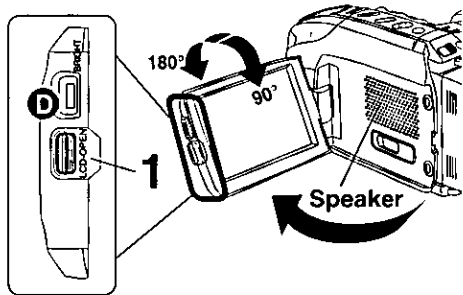


Playing Back Recordings

Playback on EVF or LCD Monitor

Before you begin...

- Connect Camcorder to power source.
- Insert recorded tape.

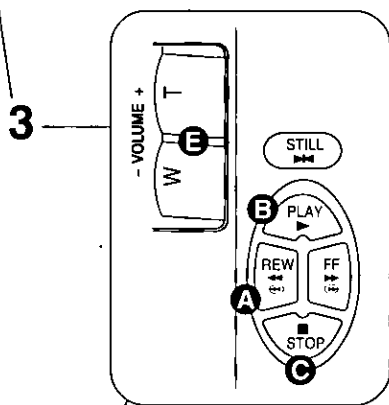


1 Press **LCD-OPEN** and swing LCD monitor fully open.

- If you want to playback on EVF, close and lock LCD completely.

2 Set **POWER** to **VCR**.

- If tape has no record tab, auto playback begins.
- LCD monitor turns on/off by the **POWER** switch.
- Viewfinder shuts off when LCD is fully opened and turns back on when LCD is locked closed.
- Return LCD monitor to locked position when not in use.

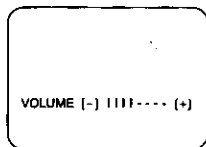
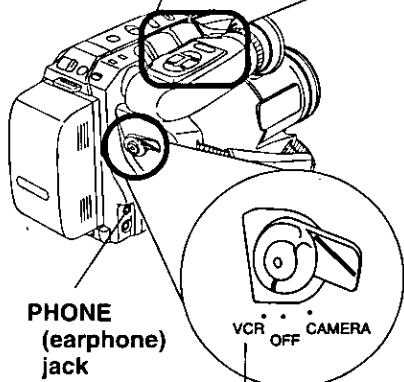


3 Playback function buttons.

- A** **REW(ind)** : rewind tape.
- B** **PLAY** : play tape.
- C** **STOP** : stop tape.
- D** **BRIGHT** : adjust LCD brightness.
- E** **VOLUME** : Adjust volume of speaker, or earphone if connected.

Press "T" : Volume up(+).

Press "W" : Volume down(-).

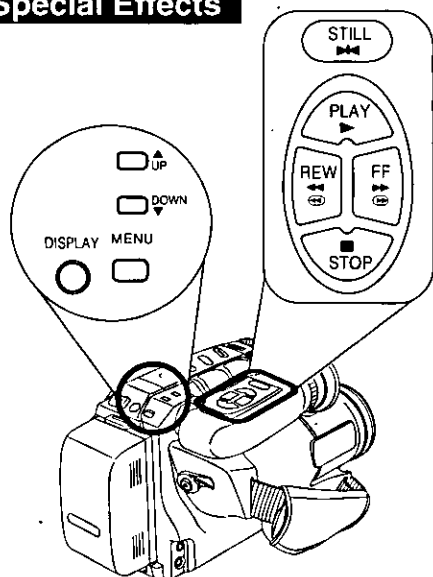


Note:

- Using LCD reduces battery operating time.
- When earphone (M3 type: not supplied) is connected to PHONE jack, speaker is muted.

Playing Back Recordings

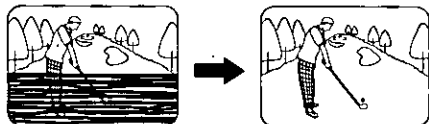
Special Effects



Note:

- During search, horizontal noise bars will appear. Audio is muted.
- To protect video heads and tape, operating modes will revert as follows after 5 minutes:
Still → Stand-by
Stand-by → Power off (when Battery Pack is used).
- Tape auto-rewinds if played or fast forwarded to end.

Tracking Control



Before you begin...

- Connect Palmcorder to power source.
- Insert recorded tape.
- Set POWER to VCR.

Quick Visual Search

Search Speed

- SP (Standard Play) : 3 times normal.
- SLP (Super Long Play) : 9 times normal.

During playback, press:

- FF** : fast forward search
- REW** : rewind search

Press again or PLAY for normal play.

Still Picture

Press **STILL** to freeze picture.

Press again for normal play.

This feature works best in SLP mode (pages 13, 21).

Auto Tracking

Continuously analyzes each recording for optimum picture quality.

Manual Tracking

Some recordings require manual adjustment to reduce noise.

Press **UP ▲** or **DOWN ▼** until Playback picture clears up.

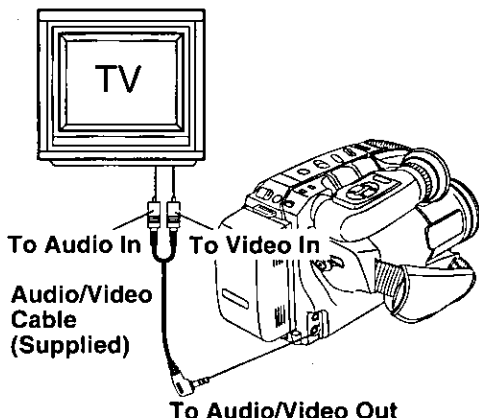
Press **DISPLAY** to return to Auto Tracking.

Playing Back Recordings

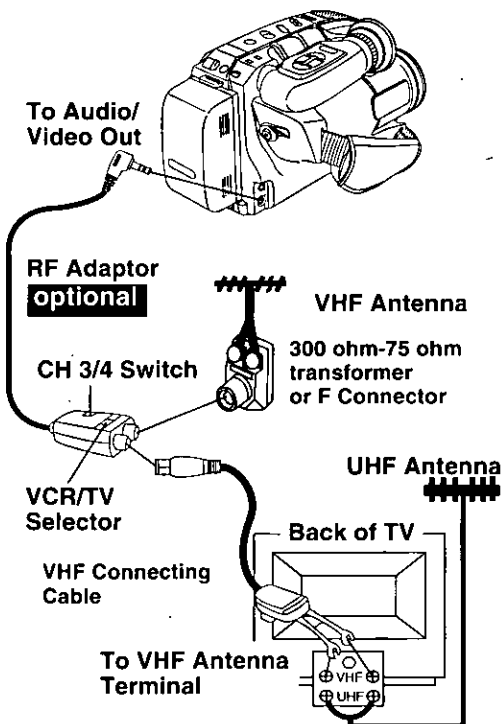
TV Playback or Viewing

Connect Camcorder to a TV to view playback or recordings in progress.

TV with AUDIO/VIDEO IN Jacks.



TV without AUDIO/VIDEO IN Jacks.



Before you begin...

- Connect Camcorder to power source.
- Make all TV-Camcorder connections.

- 1** Set **POWER** to:
VCR → view playback.
CAMERA → view picture as it is recorded.
- 2** Turn TV **ON** and set to **LINE INPUT**.
See TV owner's manual.
- 3** Begin playback or recording.

If TV has no VIDEO/AUDIO IN jacks, connect **PV-RF16 RF Adaptor (optional)**. Tune TV to CH 3 or 4 to match RF Adaptor 3/4 switch. Set Adaptor's TV/VCR switch to VCR for playback.

To watch TV only, turn TV on without AUDIO/VIDEO IN Jacks connected (left).

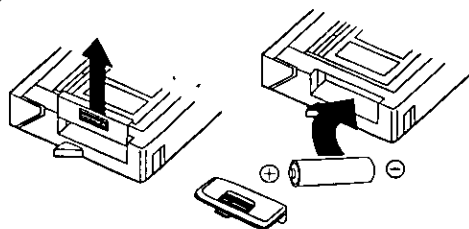
- a Set Camcorder **POWER** to OFF.
- b Set RF Adaptor **VCR/TV Selector** to TV.
- c Turn TV **ON** and select channel.

CATV System Installer

This reminder is provided to call the CATV system installer's attention to Article 820-40 of the NEC in USA (and to the Canadian Electrical Code in Canada) that provides guidelines for proper grounding and, in particular, specifies that the cable ground shall be connected to the grounding system of the building, as close to the point of cable entry as practical.

Playing Back Recordings in a VCR

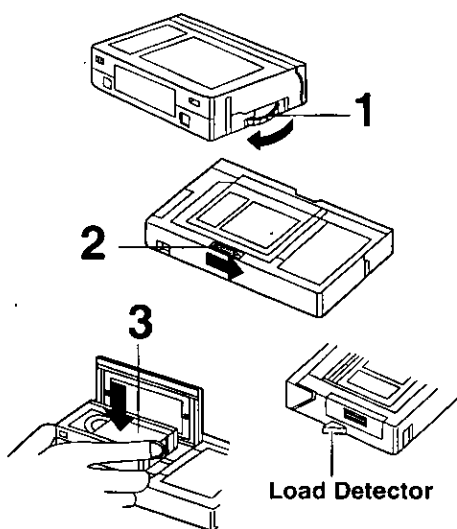
Load Battery in PlayPak



Remove Battery lid and insert AA battery.

- Do not reverse polarity.
- Replace battery when tape loading/unloading takes longer than usual.

Insert VHS C Cassette in PlayPak

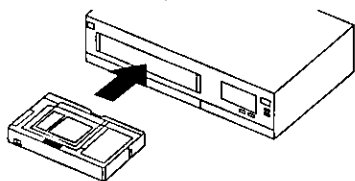


1 Turn **VHS** cassette **Tape Wheel** in direction of arrow to take up any slack.

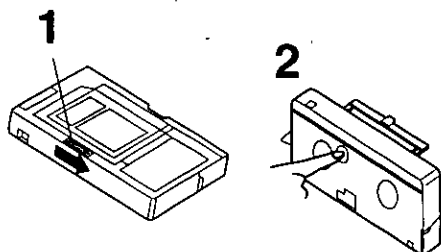
2 Slide **RELEASE** to open cassette lid.

3 Insert the **VHS** cassette with the window up and on the left, then snap lid shut.

- Do not obstruct cassette reel while loading.
- Allow PlayPak Load Detector to fully retract before using in VHS VCR.



Remove VHS C Cassette

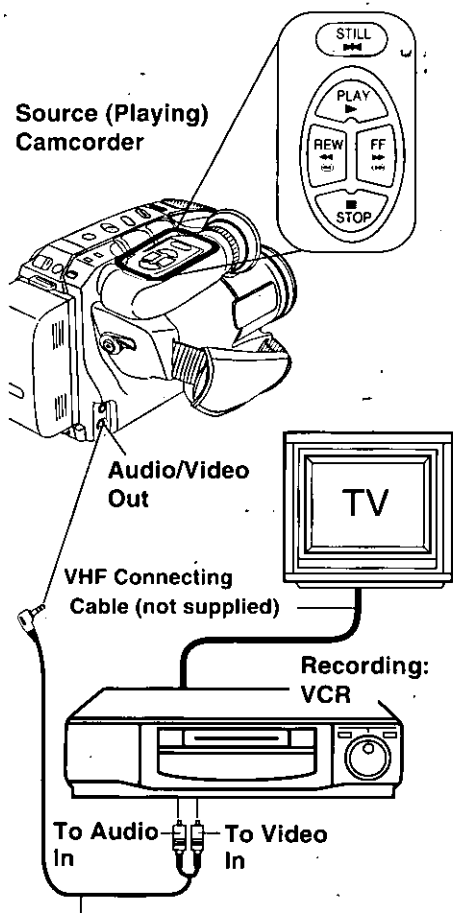


1 Slide **RELEASE** and wait for lid to open.

2 Push cassette out through hole in bottom of PlayPak with your finger.

Copying your Tapes (dubbing)

Connections



Audio/Video Cable (supplied)

Monitor with your TV

- Turn TV on and tune to VCR channel (CH3 or CH4).
- Set VCR/TV Selector on VCR to VCR.

Before you begin...

- Make Camcorder-VCR connections (see left).
- Turn both units on.
- Set VCR input signal to LINE. Please see VCR owner's manual.
- Set Camcorder POWER to VCR.

- 1 Insert a pre-recorded tape into Camcorder and a blank tape with record tab into VCR.
- 2 Press **PLAY** on Camcorder, then press **STILL** at starting point.
- 3 Press **REC**, then **STILL/PAUSE** on VCR.
- 4 Press **STILL** on Camcorder and **STILL/PAUSE** on VCR again to start copying.
- 5 Press **STOP** on both units to stop copying.

Note:

- Camcorder will only playback tapes recorded in SP or SLP mode.
- Dubbing may reduce picture quality.

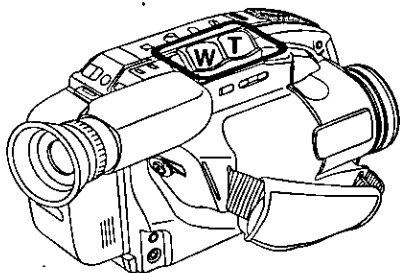
CAUTION:

Unauthorized exchanging and/or copying of copyrighted recordings may be copyright infringement.

Power Zoom / Backlight

Four-Speed Power Zoom

Zoom in (close up) and out (wide angle) in one of four speeds ranging from slow (16 sec.) to fast (2 sec.).



Before you begin...

- Connect Camcorder to power source.
- Set **POWER** to **CAMERA**.

Zoom In ("T")



Zoom Out ("W")

Zoom slowly:

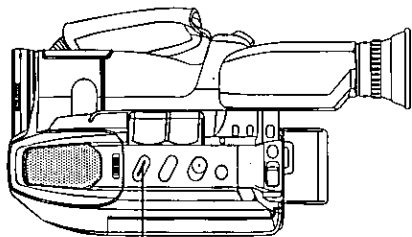
Lightly press "T" (telephoto) or "W" (wide angle) **POWER ZOOM** button.

Zoom quickly:

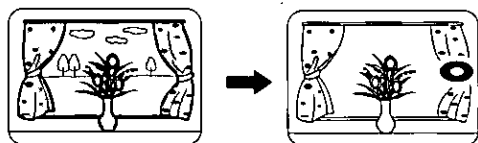
Apply more pressure to the button.

Backlight

Use when subject is darker than surroundings, in shadowed area, or in front of the light source.



BACKLIGHT



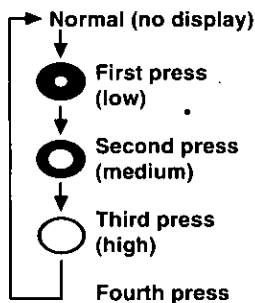
Before you begin...

- Connect Camcorder to power source.
- Set **POWER** to **CAMERA**.

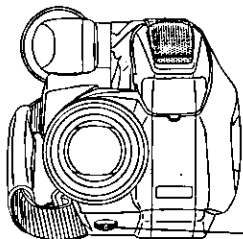
Press **BACKLIGHT** while recording to select the level of backlight compensation.

In normal lighting, press **BACKLIGHT** repeatedly until no indicator displayed.

EVF Indications



Auto Focus

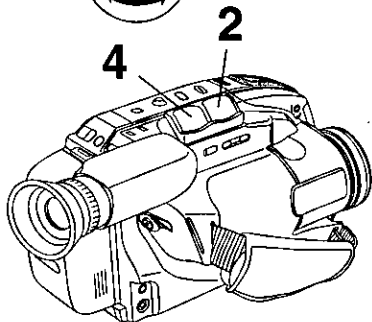
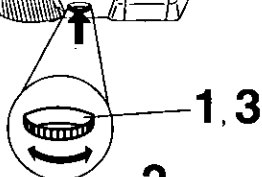
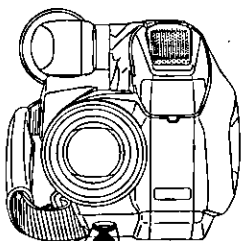


**MANUAL
FOCUS**

Manual Focus

Use Manual Focus (MF) when :

- recording through glass.
- lighting is poor.
- subject is far away with objects in foreground.
- subject has distinct horizontal lines.



Before you begin...

- Connect Camcorder to power source.
- Set POWER to CAMERA.

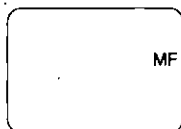
Camcorder automatically focuses on subject even during zooming.

Auto Focus is on when "MF" is not displayed in EVF. **Push MANUAL FOCUS** to remove "MF" in EVF if necessary.

- subject is not centered in Viewfinder.
- subject has shiny surface.
- subject is slanted.
- subject is bright and flat, like a white wall.
- subject has fast motion, like a golf swing.

- 1 Push **MANUAL FOCUS** so "MF" (Manual Focus) appears in EVF.

EVF Indication



- 2 Hold down "**T**" (telephoto) on **POWER ZOOM** to maximum zoom in.
- 3 Turn **MANUAL FOCUS** until subject is in focus.
 - Back away from subject if necessary.
- 4 Hold down "**W**" (**wide angle**) on **POWER ZOOM** as desired.
 - Refocus as needed when aiming at new scenes.

Special Features

Macro Focus (close-ups)

Auto Focus functions up to 1/2 inch (12.7mm) from subject. Hold down "W" on POWER ZOOM to maximum wide angle. Bring Camcorder up close to the subject.

High Speed Shutter

Improves Still or Slow Motion playback picture of high speed subjects (e.g. a tennis stroke), when viewed on Camcorder or 3 or 4 head VCR.

Before you begin...

- Connect Camcorder to power source.
- Set POWER to CAMERA.
- Insert cassette with record tab (page 13).

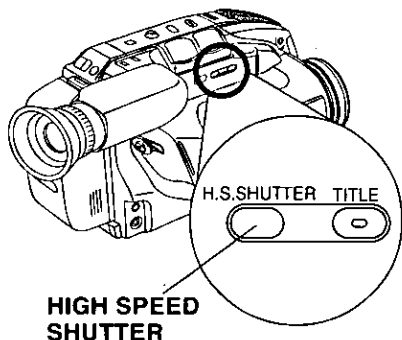
Auto Shutter

In AUTO mode (no indication in EVF), shutter speed is auto-adjusted from 1/60 to 1/350 according to subject brightness.

- AUTO mode is selected each time POWER is set to CAMERA.

Manual Selection

The faster the shutter speed, the more light is needed for proper picture and color quality. High Speed Shutter indication flashes if light is inadequate. Provide additional light.

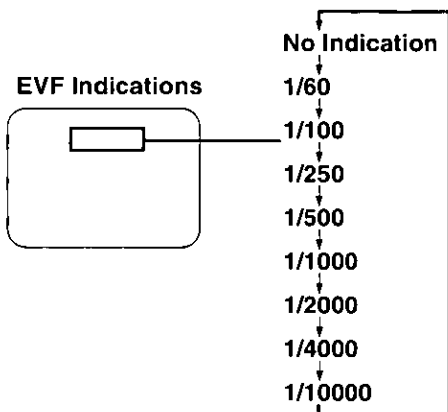


1 Press **HIGH SPEED SHUTTER** while recording.

2 Press repeatedly to change shutter speed. (See below, left.)

Note:

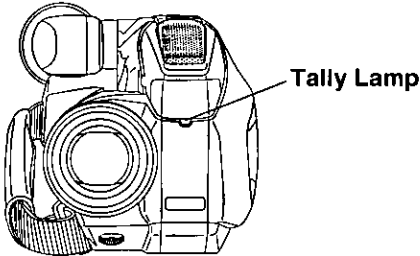
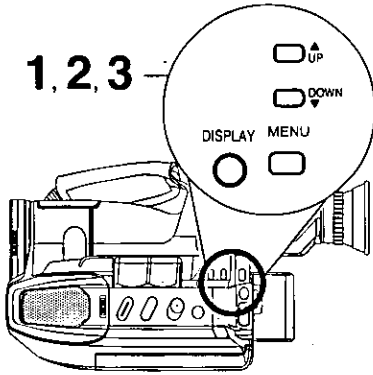
- Provide additional halogen or tungsten light for use indoors or in poor light. Fluorescent light degrades picture.
- Auto Focus may not function properly if high speed shutter is used in inadequate light.
- Setting reverts to AUTO each time POWER is set to CAMERA.



Tally Lamp

Tally Lamp

The tally lamp can be set to come on or stay off during recording.
New camcorder's default setting is ON.



Before you begin...

- Connect Camcorder to power source.
- Set POWER to CAMERA.
- Insert cassette with record tab (page 13).

- 1** Press **MENU** for MENU mode.
Press **UP ▲** or **DOWN ▼** to select **TALLY LAMP**.

```
--- MENU --- PAGE 1/2
PROGRAMMED REC
TITLE          ; AUTO/MANUAL
TALLY LAMP    ; ON
STAND-BY RELEASE ; OFF
CLOCK SET
SELECT : PUSH ▼/▲ KEY
SET    : PUSH DISPLAY KEY
END    : PUSH MENU KEY
```

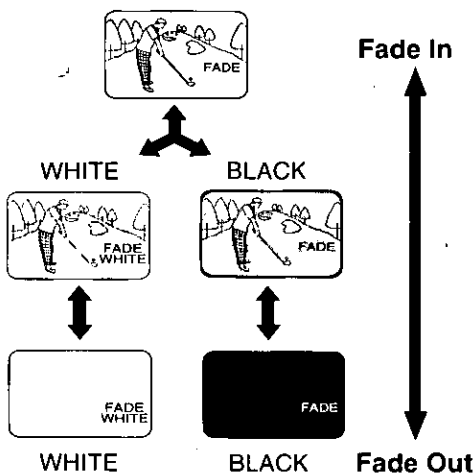
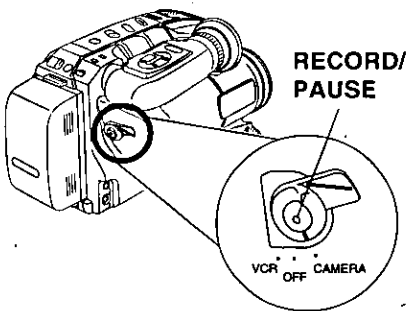
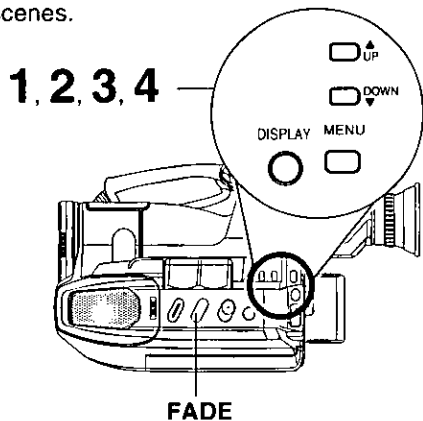
- 2** Press **DISPLAY** to select:
ON → lamp lights during recording.
OFF → lamp stays off.

- 3** Press **MENU** to exit.

Fade In/Out

Auto Fade

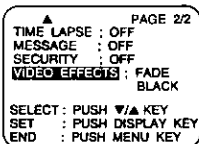
An interesting way to open and close scenes.



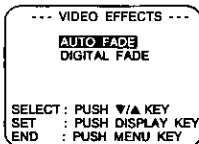
Before you begin...

- Connect Camcorder to power source.
- Set POWER to CAMERA.

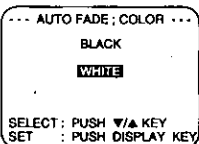
1 Press **MENU** for **MENU mode**.
Press **UP ▲** or **DOWN ▼** to select **VIDEO EFFECTS**.



2 Press **DISPLAY** for **VIDEO EFFECTS** menu.
Press **UP ▲** or **DOWN ▼** to select **AUTO FADE**.



3 Press **DISPLAY** for **AUTO FADE ; COLOR** menu.
Press **UP ▲** or **DOWN ▼** to select **BLACK** or **WHITE**.



4 Press **DISPLAY** to confirm entry.
Press **MENU** to exit.

Fade In:

In **RECORD/PAUSE** mode, press **FADE** so "FADE" flashes in EVF.

Press **RECORD/PAUSE**.

Recording starts as picture and sound gradually fade in.

Fade Out:

While recording, press **FADE** so "FADE" flashes in EVF.

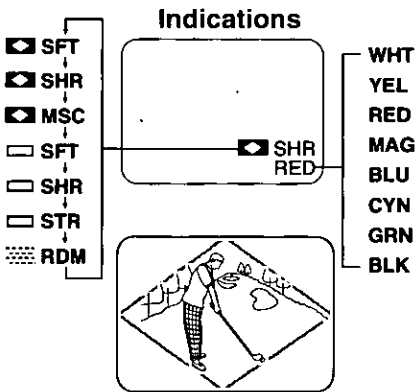
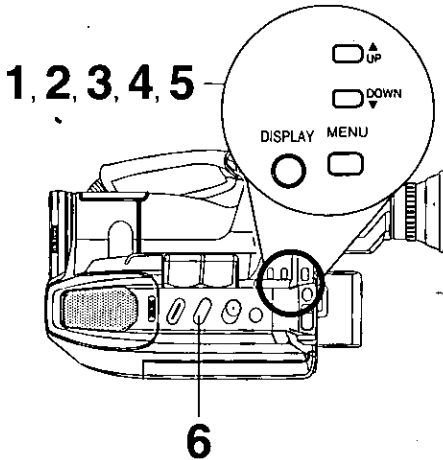
Press **RECORD/PAUSE**.

Picture and sound gradually fade out, and recording is paused.

If **FADE** is pressed accidentally, press again so "FADE" disappears in EVF.

Color Digital Fade

- Choose from 7 fade effects in 8 different colors.



- For more effects, stop fade in or fade out at any time (except RANDOM mode) by pressing FADE. Then, press FADE to resume fade.

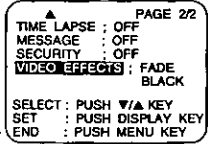
Note:

- Audio is not affected by fade.
- To cancel Digital Fade, do steps 1, 2, and 5. In step 2, select AUTO FADE.

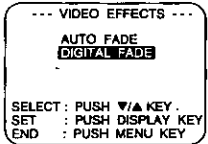
Before you begin...

- Connect Camcorder to power source.
- Set POWER to CAMERA.

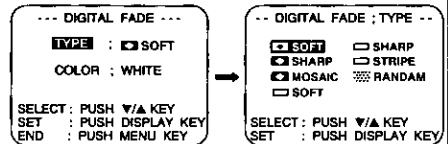
- Press **MENU** for MENU mode. Press **UP ▲** or **DOWN ▼** to select **VIDEO EFFECTS**.



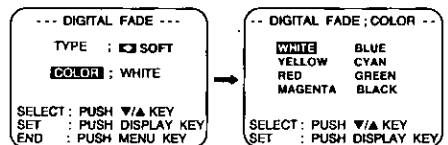
- Press **DISPLAY** for VIDEO EFFECTS menu. Press **DOWN ▼** to select **DIGITAL FADE**.



- Press **DISPLAY** for DIGITAL FADE menu. Press **UP ▲** or **DOWN ▼** to select **TYPE**. Press **DISPLAY** for TYPE menu. Press **UP ▲** or **DOWN ▼** to select from 7 types.



- Press **DISPLAY** for DIGITAL FADE menu. Press **DOWN ▼** to select **COLOR**. Press **DISPLAY** for COLOR menu. Press **UP ▲** or **DOWN ▼** to select from 8 colors.



- Press **DISPLAY** to confirm entry. Press **MENU** twice to exit.

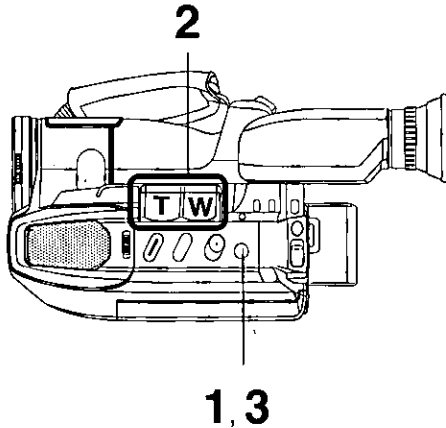
- Press **FADE** to fade out during recording (selected fade type flashes). Press **FADE** again to fade in.

Digital Zoom

Power Zoom magnification is digitally increased.

Before you begin...

- Connect Camcorder to power source.
- Set **POWER** to **CAMERA**.



1

Press **DIGITAL ZOOM**.

D.ZOOM mode (150x maximum).

Higher digital magnification levels may cause picture distortion.

2

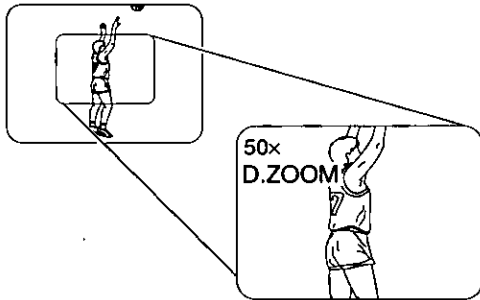
Hold down "**T**" on **POWER ZOOM**.

Digital Zoom starts when normal zoom reaches maximum (26x).

- Zoom level appears in EVF.
- **POWER ZOOM** switch controls digital zoom level.
- Normal zoom resumes when level falls to 26x.

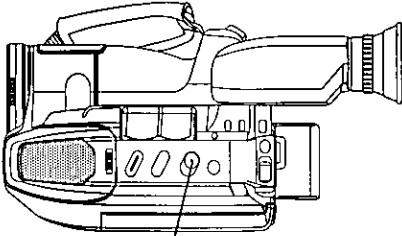
3

Press **DIGITAL ZOOM** to turn off Digital Zoom so no indication appears.



Digital Electronic Image Stabilization (E.I.S.)

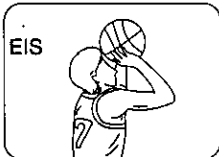
Helps stabilize picture when recording in unstable situations.



1, 2



NORMAL



Digital EIS ON

Before you begin...

- Connect Camcorder to power source.
- Set POWER to CAMERA.

1

Press **EIS** to display "EIS" in the EVF.

- Image becomes slightly enlarged and shutter speed auto-adjusts from 1/80 to 1/350 according to brightness.
- Use High Speed Shutter (page 34) if needed. Shutter speed setting remains after EIS is canceled.

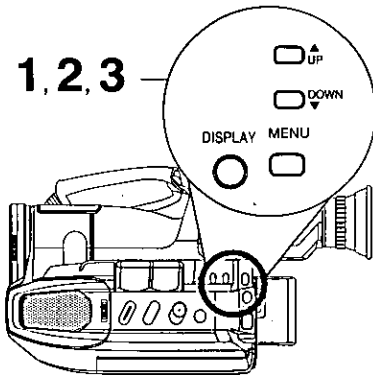
2

Press **EIS** again to cancel when not in use.

E.I.S. may not function during...

- extreme Camcorder movement.
- recording of subject with distinct horizontal or vertical stripes.
- low light situations (EIS indicator flashes).
- intense fluorescent lighting situations.
- recording of very fast motion.

Security Mode



Motion Security may mistakenly start when:

- background is plain, like a white wall, or has distinct vertical, horizontal, or slanted stripes, like a venetian blind.
- brightness suddenly changes.

Motion Security may not start when:

- motion is very slow or fast.
- moving object is very small.
- motion occurs only in 1 corner of viewing area.
- in poor lighting (in this case, MOTION SECURITY flashes).
- background is plain, like a white wall, or has distinct horizontal or vertical stripes.

Note:

- Security recording starts if Camcorder is bumped or repositioned.
- This feature is not available during normal recording.
- While in Security stand-by, the following functions are not available: Record/Pause, Stand-by mode, Digital E.I.S., Time Lapse, Message, Auto Fade, Digital Fade.

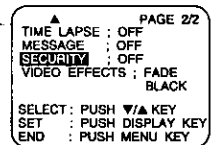
Before you begin...

- Connect Camcorder to power source. Use AC Adaptor for longer recordings.
- Insert cassette with record tab (page 13).
- Set POWER to CAMERA.
- Securely position and aim Camcorder.

1

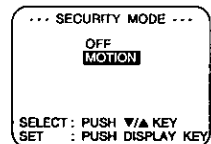
Press **MENU** for MENU mode.

Press **UP ▲** or **DOWN ▼** to select **SECURITY**.



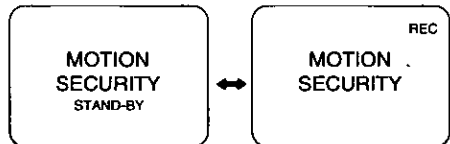
2

Press **DISPLAY** for SECURITY menu. Press **DOWN ▼** to select **MOTION**. Press **DISPLAY** to confirm entry.



3

Press **MENU** for Motion Security stand-by mode. (If cassette is not inserted, "REC" will flash.)

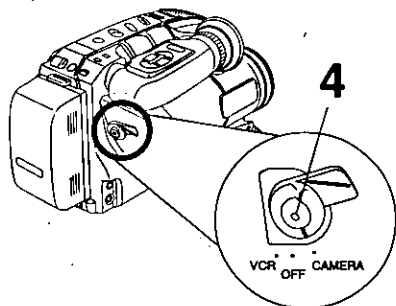
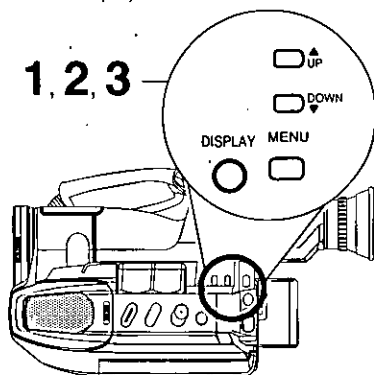


- Recording will start about 3 seconds after motion is detected.
- Date and time are recorded if displayed in EVF (page 19).
- Recording stops 30 seconds after motion ceases.

To cancel Security Mode, set POWER to OFF.

Time Lapse

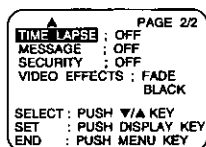
This feature reduces tape speed to 1/3 SLP for long term period recording (up to 6 hours with TC-40 tape).



Before you begin...

- Connect Camcorder to power source. Use AC Adaptor for longer recordings.
- Insert cassette with record tab (page 13).
- Set POWER to CAMERA.
- Slide TAPE SPEED to SLP.

- 1 Press **MENU** for MENU mode. Press **UP ▲** or **DOWN ▼** to select **TIME LAPSE**.



- 2 Press **DISPLAY** to select ON.
TIME LAPSE; ON
Records at 1/3 SLP speed (up to 6 hours). Playback will be normal SLP speed. Sound is muted.

- 3 Press **MENU** to exit.

- 4 Start recording (page 21).

In Time Lapse mode...

- Picture quality is degraded.
- Video noise may occur during playback.
- SP/SLP, titles, and 10-Second Reminder will not be displayed.
- Interval REC is not available.
- During playback, vertical jitter may occur depending on monitor used.

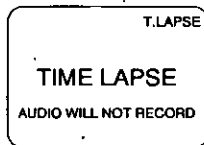
IMPORTANT:

- Time Lapse recording system is not part of VHS standard. Therefore, time lapse recordings should be played back on Camcorder only.
- Recordings other than time lapse may be played back on any **VHS** camcorder or **VHS** VCR.

To cancel Time Lapse, select OFF in step 2 above.

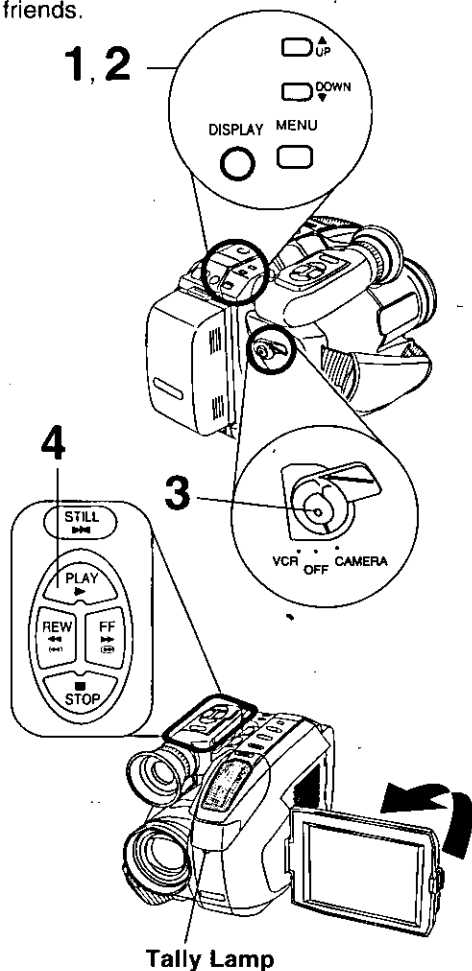
Note:

- If Time Lapse mode is selected, the following functions are not available: Message, Security.



Message Mode

Leave audio/video messages for family or friends.



Tally Lamp

Note:

- One message limit.
- If tape is ejected or battery (if used) is depleted while in Stand-by mode, the message mode is canceled. To playback message (tape is inserted and/or new power source is attached), set **POWER** to **VCR** and press **PLAY**.
- Title cannot be displayed in Message mode.
- If Message mode is selected, the following functions are not available: Time Lapse, Security.

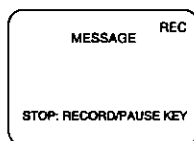
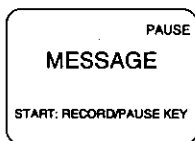
Before you begin...

- Connect Camcorder to power source. Use AC Adaptor for extended use.
- Insert cassette with record tab (page 13).
- Set **POWER** to **CAMERA**.

- 1 Press **MENU** for **MENU** mode. Press **UP ▲** or **DOWN ▼** to select **MESSAGE**. Press **DISPLAY** to select **ON**.

▲	TIME LAPSE : OFF	PAGE 2/2
■	MESSAGE : ON	
■	SECURITY : OFF	
■	VIDEO EFFECTS : FADE	
		BLACK
■	SELECT : PUSH ▼/▲ KEY	
■	SET : PUSH DISPLAY KEY	
■	END : PUSH MENU KEY	

- 2 Press **MENU** for Message Stand-by Mode. (If cassette is not inserted, "MESSAGE" will flash.) Flip **LCD** in direction of lens.
- 3 Press **RECORD/PAUSE** to start recording your message.
 - Tally lamp flashes and a display alerts recipient.
 Press **RECORD/PAUSE** to end.



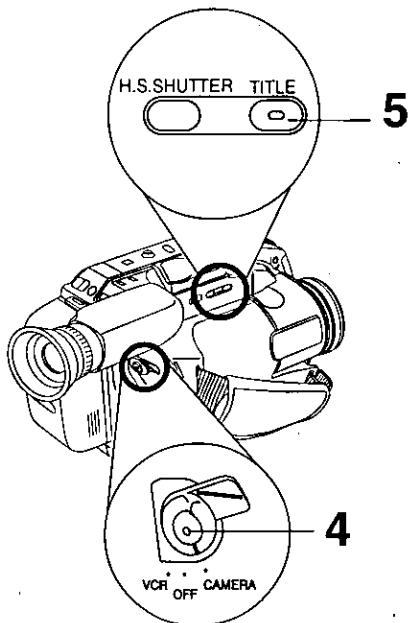
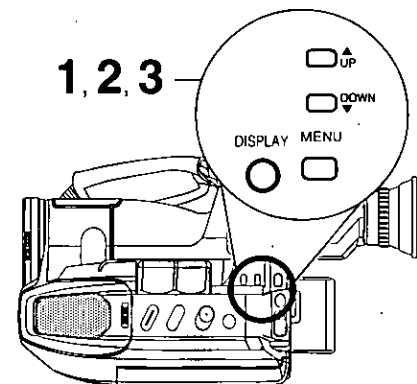
- For convenience, use remote control **REC/PAUSE** button.
- Camcorder auto-rewinds to the message start, then goes into Stand-by mode.



- 4 Press **PLAY** to playback message.
 - LCD can be in any position for playback.
 - To cancel feature, set **POWER** to **OFF**.

Automatic Title

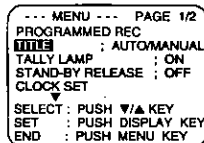
Camcorder auto-displays title greeting on selected holidays when power is first turned on. See title list on page 44.



Before you begin...

- Connect Camcorder to power source.
- Set **POWER** to **CAMERA**.
- Insert cassette with record tab (page 13).

- 1** Press **MENU** for **MENU** mode. Press **UP ▲** or **DOWN ▼** to select **TITLE**.



- 2** Press **DISPLAY** to select **AUTO/MANUAL**.
- 3** Press **MENU** to exit.
- 4** To record the title, press **RECORD/PAUSE**.
- 5** Press **TITLE** to remove title during recording.

Note:

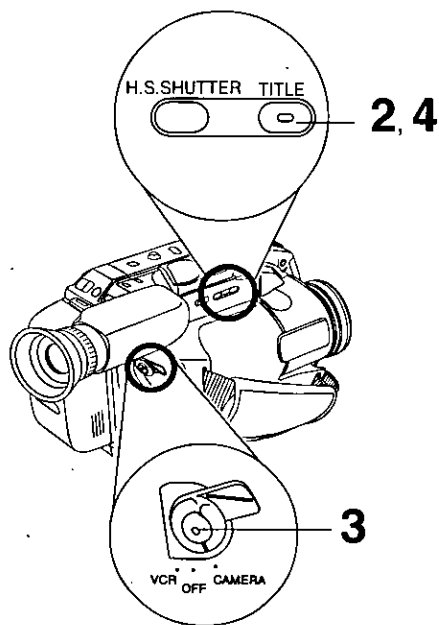
- Once removed, title will not be auto-displayed. To redisplay, or select from other titles use Manual Title (page 44).

Intelligent Titler

Automatic/Manual Title Display List

Dec. 31–Jan. 1	HAPPY NEW YEAR! / CHEERS!
Feb. 14	VALENTINE'S DAY / BE MY VALENTINE
2nd Sunday in May	HAPPY MOTHER'S DAY / WE LOVE YOU!
Last Monday in May	MEMORIAL DAY
3rd Sunday in Jun.	HAPPY FATHER'S DAY / WE LOVE YOU!
Jul. 4	INDEPENDENCE DAY
1st Monday in Sep.	LABOR DAY
Oct. 31	HAPPY HALLOWEEN
4th Thursday in Nov.	HAPPY THANKSGIVING
Dec. 24–25	MERRY CHRISTMAS / HO! HO! HO!
These Titles must be displayed manually.	HAPPY EASTER HAPPY ANNIVERSARY HAPPY BIRTHDAY VACATION WEDDING DAY A SPECIAL DAY

Manual Title



Before you begin...

- Connect Camcorder to power source.
- Set POWER to CAMERA.
- Insert cassette with record tab (page 13).

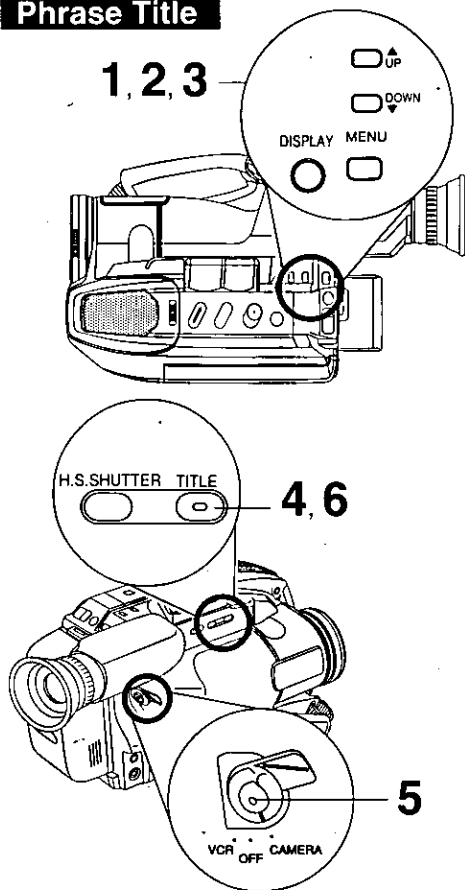
- 1** Confirm that TITLE: AUTO/MANUAL is set in Menu mode (steps 1–3, page 43).
- 2** In Pause (Record mode), press **TITLE** repeatedly to display titles from list above.
- 3** To record the title, Press **RECORD/ PAUSE**.
- 4** Press **TITLE** while recording to remove title.

Note:

- To redisplay title, press TITLE in Pause (Record mode).

Intelligent Titler

Phrase Title



(no indication)
↓
BEAUTIFUL
↓
BRAVO!
↓
CHEERS!
↓
CONGRATULATIONS
↓
GIMME A BREAK!
↓
GOOD LUCK
↓
I LOVE YOU
↓
OOPS!
↓
OUR LITTLE ANGEL
↓
WAY TO GO

Before you begin...

- Connect Camcorder to power source.
- Set POWER to CAMERA.
- Insert cassette with record tab (page 13).

- 1 Press **MENU** for MENU mode.
Press **UP ▲** or **DOWN ▼** to select **TITLE**.

```
--- MENU --- PAGE 1/2
PROGRAMMED REC
TITLES      : PHRASE
TALLY LAMP  : ON
STAND-BY RELEASE : OFF
CLOCK SET
SELECT : PUSH ▼/▲ KEY
SET    : PUSH DISPLAY KEY
END    : PUSH MENU KEY
```

- 2 Press **DISPLAY** to select PHRASE.

- 3 Press **MENU** to exit.

- 4 In Pause (Record mode), press **TITLE** repeatedly to display phrases from list below, left.

- 5 To record the phrases, Press **RECORD/PAUSE**.

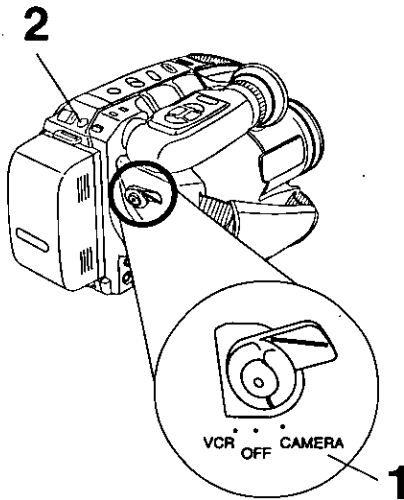
- 6 Press **TITLE** while recording to remove phrase.

Note:

- To redisplay phrase, press TITLE in Pause (Record mode).

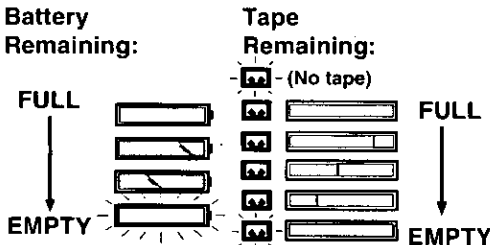
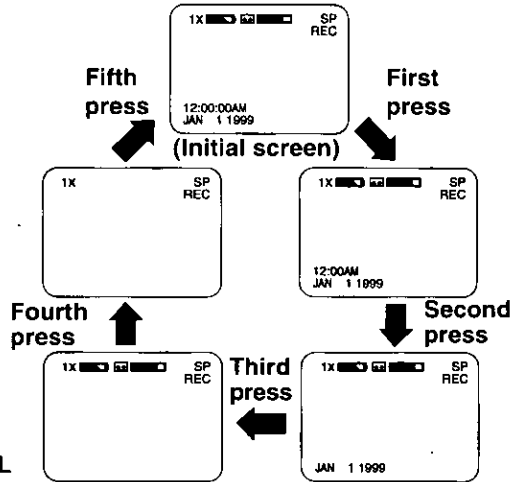
Viewfinder/LCD Monitor Indications

Tape remaining and battery charge level can be displayed.



1 Set POWER to CAMERA.

2 Press DISPLAY repeatedly to select the following displays.

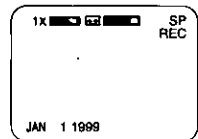
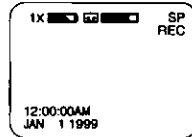


• Tape remaining indicator operates a few seconds after tape starts moving.

Recording the Date and Time

1 Do steps 1 and 2 above to select time/date, date only, or no display.

2 Start a recording (page 21).
• Only the Date and/or Time are recorded.



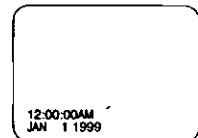
Display-Off Mode

No Indication, except Intelligent Titler (pages 43~45), will be displayed.

Press **DISPLAY** and **STOP** together over 1 second.

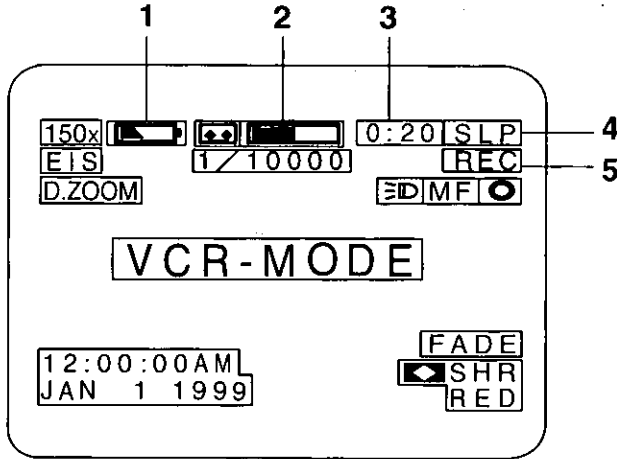
Press **DISPLAY** repeatedly to remove time/date.


Indications are restored when Camcorder is turned off, and then on again.

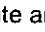



Viewfinder/LCD Monitor Indications

CAMERA/VCR mode



- 1 Battery Remaining**  (page 46)
 "WARNING LOW BATTERY" appears and External Power Lamp starts flashing 15 seconds before Camcorder shutoff.
- 2 Tape Remaining**

 - If cassette is not inserted or has no record tab in Camera (RECORD) mode, "" flashes 1 minute and "CHECK TAPE" appears 5 seconds before Camcorder shutoff.
 - As end of tape is reached, "" flashes and "TAPE END" appears 5 seconds before Camcorder shutoff.
- 3 10-Second Reminder**
 Each time a recording is started, a 10 second incremental display (up to 59:50) lets you monitor how long one scene is recorded.
- 4 TAPE SPEED** (pages 13, 21, 41)
 (SP=standard play, SLP=super long play, T.LAPSE=time lapse).
- 5 Operating Mode**
REC (record)
PAUSE
FF (fast forward)
PLAY
REW (rewind)

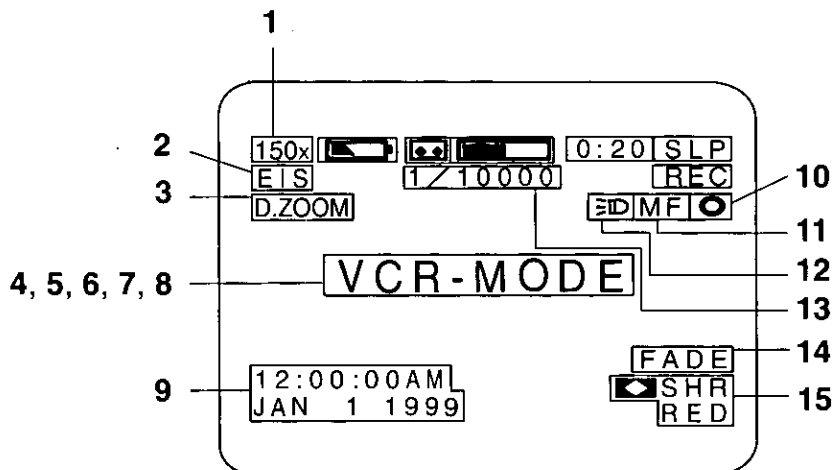
0:00 0:10 0:20 59:50



(return to 0:00 and continue)

Viewfinder/LCD Monitor Indications

CAMERA/VCR mode



- 1 **Zoom Magnification level** (page 32).
- 2 **Digital E.I.S.** (page 39).
- 3 **Digital Zoom** (page 38).
- 4 **VCR-MODE**
Appears 1 minute when POWER is set to VCR or if RECORD/PAUSE is pressed in VCR mode.
- 5 **DEW**
If moisture condensation occurs in unit, "WARNING DEW DETECTED" appears, Power Lamp flashes, and Camcorder will shutoff in 15 seconds. Wait until lamp no longer flashes when Camcorder is turned on to use.
- 6 **Time Lapse** (page 41).
- 7 **Security Mode** (page 40).
- 8 **Message Mode** (page 42).
- 9 **Date and Time** (page 19).
- 10 **Backlight** (page 32).
- 11 **Manual Focus** (page 33).
- 12 **Light ON/OFF** (page 20).
- 13 **High Speed Shutter** (page 34).
- 14 **Fade** (page 36).
- 15 **Color Digital Fade** (page 37).

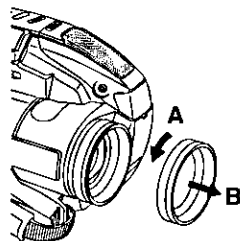
Operation Notes

Attaching Optional Filters and Lenses

Remove the Lens Hood by turning it counterclockwise.

Then attach an optional filter or lens.

- Be careful not to touch the lens itself.
- Replace the Lens Hood after removing the accessory:



Lens Hood Area Operation Caution

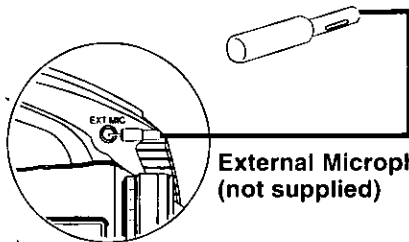
With a Wide or Telephoto conversion lens (optional) attached, the four corners of the screen may darken when zoom is set to maximum wide angle.

When attaching the lens hood, a Wide or Telephoto conversion lens (optional), etc. after a filter (optional) has been attached, the four corners of the screen may darken when zoom is set to maximum wide angle.

With two filters (optional) attached, the four corners of the screen may darken when zoom is set to maximum wide angle.

External MIC IN

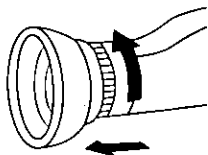
Connect an external Microphone (optional) using an M3 connector if necessary. The built-in microphone is automatically disconnected when an external microphone is plugged in.



External Microphone
(not supplied)

Cleaning EVF (Electronic Viewfinder)

To Remove



- 1** Turn the EVF Eyepiece counterclockwise 1/8 of a turn.
- 2** Pull free.
Remove any lint or dust particles with a soft clean cloth being careful not to scratch the glass surfaces.
- 3** **To re-install EVF**
Line up the marks on the Eyepiece with the grooves inside the EVF shaft and attach. Turn the EVF clockwise 1/8 of a turn to lock in place.

For Your Information

Replacing Clock/Remote Battery

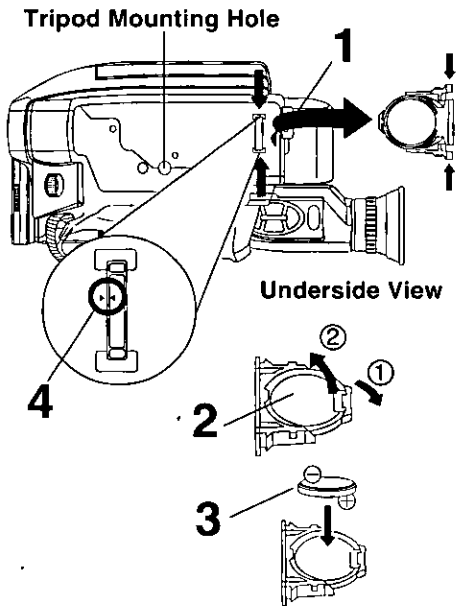
The clock and remote batteries are pre-installed. Follow the steps below if replacement becomes necessary.

WARNING:

Replace battery with Panasonic PART NO. VSBW0004 (CR2025) only. Use of another battery may present a risk of fire or explosion.

Caution: Battery may explode if mistreated. Dispose of used battery promptly. Keep away from children. Do not recharge, disassemble or dispose of in fire.

Clock Battery

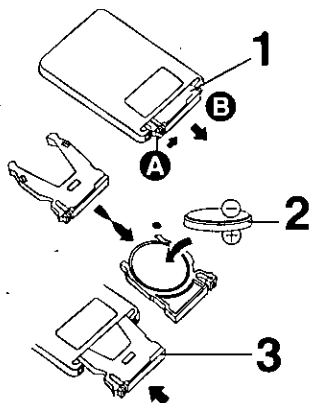


- 1 While pinching 2 tabs, pull Battery Tray out.
- 2 Bend 1 tab to remove Battery.
- 3 Snap new Battery (+ mark down) into Battery Tray.
 - Do not reverse the polarity.
- 4 Insert Battery Tray so the triangle marks meet.

Note:

- Keep Battery out of children's reach. Swallowing it may be harmful.
- Improperly installed, discharged, or missing battery causes "CLOCK BATTERY" to appear when DISPLAY is pressed.
- Battery life is approximately 5 years.

Remote Battery

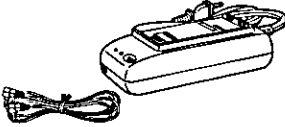
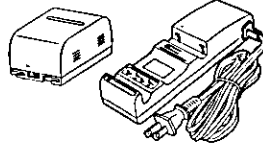




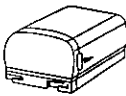



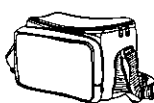


- 1 While pressing stopper tab A, pull Battery Tray out.
- 2 Insert battery into tray with + mark down. Do not reverse polarity.
- 3 Replace Battery Tray.

Palmcorder Accessory System

For ordering instructions, see the Accessory Order Form page.

- The listed standard battery use times are based on continuous recording using this Palmcorder.

Accessory #	Figure	Description	Price
PV-A17		AC Adaptor with DC Power Cable	\$130.00
HHR-V214		6.0Ah / 6 hr Battery Pack with Universal Battery Charger	\$200.00
P-V215		3.0Ah / 3 hr Battery Pack	\$60.00
PV-BP17/ P-V214		2.4Ah / 2 hr 30 min Battery Pack	\$50.00
PV-BP18/ P-V611		1.8Ah / 2 hr Battery Pack	\$45.00
PV-BP15/ P-V213		1.2Ah / 1 hr 10 min Battery Pack	\$45.00
PV-AA6		"AA" Battery Case	\$20.00
PV-C16		Car Battery Cord	\$70.00
PV-RF16		RF Adaptor	\$40.00
PV-P1		VHS PlayPak	\$35.00
PV-H18		Soft Sided Carrying Case	\$49.00

For Your Information

Palmcorder Accessory Order Form

Please photocopy this form when placing an order.

1. Palmcorder Model # _____

2. Items Ordered

Accessory #	Description	Price Each	Quantity	Total Price
Subtotal				
Your State & Local Sales Tax				
Shipping & Handling				5.00
Total Enclosed				

3. Method of payment (check one)

- Check or Money Order enclosed (NO C.O.D.SHIPMENTS)
- VISA Credit Card # _____
- MasterCard Expiration Date _____
- Discover Customer Signature _____

Make Check or Money Order to: MATSUSHITA ACCESSORIES

(Please do not send cash)

4. Shipping information (UPS delivery requires complete street address)

Ship To:

Mr.

Mrs.

Ms. _____

First

Last

Phone #:

Day () _____

Street Address _____

Night () _____

City

State

Zip

TO OBTAIN ANY OF OUR OMNIMOVIE/PALMCORDER ACCESSORIES YOU CAN DO ANY OF THE FOLLOWING:

VISIT YOUR LOCAL PANASONIC DEALER

OR

CALL PANASONIC'S ACCESSORY ORDER LINE AT 1-800-332-5368

[6 AM-5 PM M-F, 6 AM-10:30 AM SAT, PACIFIC TIME]

OR

MAIL THIS ORDER TO: PANASONIC SERVICES COMPANY ACCESSORY ORDER OFFICE

20421 84th Avenue South Kent, WA. 98032

Specifications

Power Source:	Compact VHS Camcorder: DC 6V AC Adaptor: 110/120/220/240V AC, 50/60 Hz Battery: Nickel-Cadmium Type DC 6V
Power Consumption:	Compact VHS Camcorder: 6V DC 8.5 W (Max. 11.5 W) AC Adaptor: 24W 1.2W (when not in use.)
Video Signal:	EIA Standard (525 lines, 60 fields) NTSC color signal
Video Recording System:	2 rotary heads plus flying erase head. Helical scanning system
Audio:	1 track
Pick-Up System:	Sequential color difference field reverse system
Pick-Up Device:	One integral color filter Charge Coupled Device (CCD)
Lens:	26:1 zoom lens, F1:1.6 with auto iris control Focal length: 3.8mm - 98.8mm 4 speed power zoom function Lens filter diameter: 49mm
Viewfinder:	0.5 inch (12.7mm) Electronic Viewfinder
LCD Monitor:	4.0 inch (101.6mm) Liquid Crystal Display
Minimum Illumination Required:	0.8 lx (F1:1.6) 0.08 footcandles 7 lx (F1:1.6) 0.7 footcandles (EIA Standard)
Earphone Jack:	M3 Type
External Microphone Jack:	M3 Type
Operating Temperature:	32°F~104°F (0°C~40°C)
Operating Humidity:	10%~75%
Weight:	Compact VHS Camcorder: 2.5 lbs. 1.13 kg AC Adaptor: 0.77 lbs. 0.35 kg
Dimensions:	Compact VHS Camcorder: 4-1/4 (W) × 4-5/8 (H) × 7-1/8 (D) inch 107 (W) × 118 (H) × 180 (D) mm AC Adaptor: 2-3/4 (W) × 1-5/8 (H) × 5-3/4 (D) inch 70 (W) × 41 (H) × 145 (D) mm

Weight and dimensions shown are approximate.

Designs and specifications are subject to change without notice.

Request for Service Notice

Please photocopy this form when making a request for service notice.

Request for Service Notice:

In the unlikely event this product needs service.

- Please include your **proof of purchase**. (Failure to do so will delay your repair.)
- To further speed your repair please provide an explanation of what is wrong with the unit and any symptom it is exhibiting.

Mail this completed form and your Proof of Purchase along with your unit to:

Panasonic Services Company
1705 N. Randall Road
Elgin, IL. 60123-7847
Attn: Camcorder Repair

For Your Information

Before Requesting Service

If a problem arises, you may be able to correct it yourself.
See Symptom and Correction list below.

Symptom	Correction
No picture in EVF ...	<ul style="list-style-type: none">• Connect Power Source. (pp. 10, 12)• Set POWER to VCR or CAMERA. (pp. 21, 27)• Check for Dew Indication. (p. 48)• Use fully charged Battery. (p. 10)• Firmly connect all needed cables. (p. 29)
Video cassette cannot be inserted ...	<ul style="list-style-type: none">• Connect Power Source. (pp. 10, 12)• Insert cassette, window side facing out. (p. 13)
Video cassette cannot be removed ...	<ul style="list-style-type: none">• Connect Power Source. (pp. 10, 12)
Operation buttons do not work ...	<ul style="list-style-type: none">• Check for Dew Indication. (p. 48)
Recording cannot be done ...	<ul style="list-style-type: none">• Make sure record tab is intact. (p. 13)• Check Battery Indicator. (p. 46)• Check for Dew Indication. (p. 48)
Auto Focus does not operate ...	<ul style="list-style-type: none">• Set FOCUS to AUTO. (p. 33)• Set POWER to CAMERA. (p. 21)
The Message mode cannot be used ...	<ul style="list-style-type: none">• Make sure cassette is loaded.• Set MESSAGE to ON in Menu mode. (p. 42)
Sound from microphone can't be monitored ...	<ul style="list-style-type: none">• Set unit to REC or Record/Pause mode.
Camera picture is too dark ...	<ul style="list-style-type: none">• Turn HIGH SPEED SHUTTER off. (p. 34)
No playback picture, or the playback picture is noisy or contains streaks ...	<ul style="list-style-type: none">• Press UP ▲/DOWN ▼ button during playback (Tracking Control). (p.28)
Playback picture is fast, and there is no sound ...	<ul style="list-style-type: none">• Set TIME LAPSE to OFF in Menu mode. (p. 41)
"Panasonic ITS TAPES PLAY IN YOUR VCR ..." appears in EVF and LCD Monitor ...	<ul style="list-style-type: none">• Set POWER to CAMERA, then hold down STOP over 5 seconds to exit Demo mode. (p. 7)
Top of playback picture waves back and forth excessively ...	<ul style="list-style-type: none">• A playback signal is not as stable as an off the air TV signal, so the top of your TV screen may appear bent or unstable during playback. This is called, "Horizontal AFC time constant change." To correct, slowly turn the TV horizontal hold control. If you TV does not have this control, or adjusting it does not help, contact your TV service center. (Some nominal service charges may be required.)

Video Head Cleaning



Clogged Video Head

While head cleaning is normally not needed, playing old or damaged tapes may clog the heads. When playback picture resembles example at the left, head cleaning is required.

Ideally, head cleaning should be performed by a qualified service technician. When this is not possible, purchase a head cleaning cassette. Be sure to follow cleaning cassette instructions exactly and only use when symptoms occur.

Warranty

Panasonic Consumer Electronics Company, Division of Matsushita Electric Corporation of America
One Panasonic Way Secaucus, New Jersey 07094

Panasonic Sales Company, Division of Matsushita Electric of Puerto Rico, Inc.
Ave. 65 de Infantería, Km. 9.5
San Gabriel Industrial Park, Carolina, Puerto Rico 00985

PANASONIC/QUASAR Video Products Limited Warranty

Panasonic Consumer Electronics Company or Panasonic Sales Company (collectively referred to as "the Warrantor") will repair this product with new or refurbished parts, free of charge, in the USA or Puerto Rico, in the event of a defect in materials or workmanship as follows (all time periods commence from the date of the original purchase):

PRODUCT	PARTS	LABOR
CAMCORDER	ONE (1) YEAR, EXCEPT CCD IMAGE SENSOR CCD IMAGE SENSOR - SIX (6) MONTHS	NINETY (90) DAYS NINETY (90) DAYS
VCR	ONE (1) YEAR	NINETY (90) DAYS
A/V MIXER	ONE (1) YEAR	NINETY (90) DAYS
MONITOR-VCR	ONE (1) YEAR, EXCEPT CRT CRT - TWO (2) YEARS	NINETY (90) DAYS CRT- NINETY (90) DAYS CUSTOMER PAYS ALL LABOR CHARGES AFTER 90 DAYS

Monitor-VCR In-home or carry-in Service: 22" (diagonal) CRT / LCD and Larger
Monitor-VCR Carry-in Service: 21" (diagonal) CRT / LCD and smaller

Batteries (if included) - New rechargeable batteries in exchange for defective rechargeable batteries for ten (10) days. Non-rechargeable batteries are not warranted.

Tape (if included) - New video cassette tape in exchange for a defective video cassette tape for five (5) days.

In-home, carry-in or mail-in service, as applicable, in the USA can be obtained during the warranty period by contacting a Panasonic Services Company (PASC) Factory Servicenter listed in the Service Directory. Or call toll free 1-800-211-PANA(7262), to locate an authorized PASC Servicenter. Carry-in or mail-in service in Puerto Rico can be obtained during the warranty period by calling the Panasonic Sales Company telephone number listed in the Servicenter Directory.

This warranty is extended only to the original purchaser. A purchase receipt or other proof of the date of the original purchase is required before warranty service is rendered.

This warranty only covers failures due to defects in materials and workmanship which occur during normal use and does not cover normal maintenance, including, but not limited to, video and audio head cleaning. The warranty does not cover damage which occurs in shipment, or failures which are caused by products not supplied by the warrantor, or failures which result from accident, misuse, abuse, neglect, mishandling, misapplication, alteration, modification, faulty installation, set-up adjustments, improper antenna, inadequate signal pickup, maladjustment of consumer controls, improper operation, power line surge, improper voltage supply, lightning damage, commercial use such as hotel, office, restaurant, or other business or rental use of the product, or service by anyone other than a PASC Factory Servicenter or a PASC authorized Servicenter, or damage that is attributable to acts of God.

LIMITS AND EXCLUSIONS

There are no express warranties except as listed above. THE WARRANTOR SHALL NOT BE LIABLE FOR INCIDENTAL OR CONSEQUENTIAL DAMAGES (INCLUDING, WITHOUT LIMITATION, DAMAGE TO TAPES) RESULTING FROM THE USE OF THIS PRODUCTS, OR ARISING OUT OF ANY BREACH OF THE WARRANTY. ALL EXPRESS AND IMPLIED WARRANTIES, INCLUDING THE WARRANTIES OF MERCHANTABILITY AND FITNESS FOR PARTICULAR PURPOSE, ARE LIMITED TO THE APPLICABLE WARRANTY PERIOD SET FORTH ABOVE. Some states do not allow the exclusion or limitation of incidental or consequential damages, or limitations on how long an implied warranty lasts, so the above exclusions or limitations may not apply to you.

This warranty gives you specific legal rights and you may also have other rights which vary from state to state.

If a problem with this product develops during or after the warranty period, you may contact your dealer or Servicenter. If the problem is not handled to your satisfaction, then write to the Customer Satisfaction Center at the Panasonic Consumer Electronics Company address above.

SERVICE CALLS WHICH DO NOT INVOLVE DEFECTIVE MATERIALS OR WORKMANSHIP AS DETERMINED BY THE WARRANTOR, IN ITS SOLE DISCRETION, ARE NOT COVERED.

COSTS OF SUCH SERVICE CALLS ARE THE RESPONSIBILITY OF THE PURCHASER.

warvid 10/20/97

Warranty

For Product Information, Operating Assistance, Literature Request, Dealer Locations, and all Customer Service inquiries please contact:

1-800-211-PANA(7262), Monday-Friday 9am-9pm Saturday-Sunday 9am-7am, EST.

Web Site: <http://www.panasonic.com>

You can purchase parts, accessories or locate your nearest servicer by visiting our Web Site.

Accessory Purchases:

1-800-332-5368 (Customer Orders Only)

Panasonic Services Company 20421 84th Avenue South, Kent, WA 98032

(6 am to 5 pm Monday - Friday; 6 am to 10:30 am Saturday; PST)

(Visa, MasterCard, Discover Card, American Express, Check)

Product Repairs

Centralized Factory Servicer

MAIL TO : Panasonic Services Company
1705 N. Randall Road,
Elgin, IL 60123-7847
Attention: Camcorder Repair

Please carefully pack and ship, prepaid and insured, to the Elgin centralized repair Factory Servicer. While there will be added handling delays, you may bring your unit to one of the following locations who will then forward the unit to Elgin for repair.

Customer's in Puerto Rico, please ship or carry in to location below ("Service in Puerto Rico").

Factory Servicers Locations

CALIFORNIA

6550 Katella Avenue
Cypress, CA 90630

800 Dubuque Avenue
S. San Francisco
CA 94080

20201 Sherman Way
Suite 102
Canoga Park, CA 91306

3878 Ruffin Road
Suite A
San Diego, CA 92123

COLORADO

1640 South Abilene
Street Suite D
Aurora, CO 80012

FLORIDA

3700 North 29th Avenue
Suite 102
Hollywood, FL 33020

GEORGIA

8655 Roswell Road
Suite 100
Atlanta, GA 30350

ILLINOIS

9060 Golf Road
Niles, IL 60714

1703 North Randall Road
Elgin, IL 60123
(Pick-up/drop-off only)

MARYLAND

62 Mountain Road
Glen Burnie, MD 21061

MASSACHUSETTS

60 Glacier Drive
Suite G
Westwood, MA 02090

MICHIGAN

37048 Van Dyke Avenue
Sterling Heights,
MI 48312

MINNESOTA

7850-12th Avenue South
Airport Business Center
Bloomington, MN 55425

OHIO

2236 Waycross Road
Civic Center Plaza
ForestPark, OH 45240

PENNSYLVANIA

2221 Cabot Blvd. West
Suite B
Langhorne, PA 19047

Chartiers Valley
Shopping Center
1025 Washington Pike
Bridgeville, PA 15017

TENNESSEE

3800 Ezell Road
Suite 806
Nashville, TN 37211

TEXAS

7482 Harwin Drive
Houston, TX 77036

13615 Welch Road
Suite 101
Farmers Branch, TX
75244

WASHINGTON

20425-84th Avenue
South
Kent, WA 98032

HAWAII

99-859 Iwaiwa Street
Aiea, Hawaii 96701
Phone (808) 488-1996
Fax (808) 486-4369

Service in Puerto Rico

Matsushita Electric of Puerto Rico, Inc. Panasonic Sales Company/ Factory Servicer:

Ave. 65 de Infantería. Km. 9.5 San Gabriel Industrial Park Carolina, Puerto Rico 00985

Phone (787) 750-4300 Fax (787) 768-2910

A

AC Adaptor	12
Accessories (Optional)	51
Accessories (Supplied)	2
Audio/Video Cable	29, 31
Audio/Video Out	29, 31
Auto Daylight Saving Time	18

B

Backlight	32
BACKLIGHT Button	32
Battery Pack	8, 10, 11
BATTERY RELEASE Button	10
BRIGHT Control	22, 27
Built-in Twin Capsule 2-Way Microphone System	21

C

Camera Recording	21, 22, 23, 24, 25
Car Battery Cord	12
Charging Battery	10
Clock Battery	50
Clock Set	17, 18, 19
Copying your Tapes	31

D

DC IN	12
DC Power Cable	12
Digital E.I.S.	39
DIGITAL ZOOM Button	38
DISPLAY Button	15, 17, 18, 19, 23, 25, 28, 35, 36, 37, 40, 41, 42, 43, 45, 46
Display-off Mode	46

E

EIS Button	39
Electronic Viewfinder	49
External MIC IN	49

F

Fade	36, 37
FADE Button	36, 37
FAST FORWARD/SEARCH Button	28
Focus	33

H

Hand Strap	14
High Speed Shutter	34
HIGH SPEED SHUTTER Button	34

L

LCD Monitor	22, 27
LCD-OPEN Button	8, 9, 22, 27
Lens Cover	21
Light	20
LIGHT Switch	20

M

MANUAL FOCUS Wheel	33
MENU Button	15, 17, 18, 19, 23, 25, 35, 36, 37, 40, 41, 42, 43, 45
MENU Mode	15, 16
Message Mode	42

P

PHONE (earphone) jack	22, 27
PLAY Button	9, 27
Playback	27, 28, 29, 30
PlayPak	30
Power Lamp	47
Power Supply	10, 11, 12
POWER Switch	7, 8, 9, 21, 27
POWER ZOOM Switch	32, 33
Programmed Recording	25

Index

R

RECORD/PAUSE Button	8, 21
Remote Control	26
Remote Holder	14, 26
Replacing Battery	50
Request for Service Notice	53
REWIND/SEARCH Button	9, 27, 28
RF Adaptor	29

S

Safety Precautions	3
Security Mode	40
Self Demo Mode	7
Shoulder Strap	14
Speaker	27
Specifications	53
STILL Button	28
Still Picture	28
STOP Button	7, 9, 27

T

Tab	13
Tally Lamp	35
TAPE EJECT Switch	8, 13
TAPE SPEED Selector	13, 21
Time Lapse	41
TITLE Button	43, 44, 45
Titler	43, 44, 45
Tracking Control	28
Tripod Mounting Hole	50

U

UP ▲/DOWN ▼ Button	15, 28
--------------------	--------

V

VHF Connecting Cable	29, 31
Video Cassettes (tapes)	13
Video Head Cleaning	54
Viewfinder/LCD Monitor Indications	46, 47, 48
Viewing	29
Vision Adjustment Control	21
VOLUME Control	27

W

Warranty	55, 56
----------	--------

Z

Zoom	32, 38
------	--------

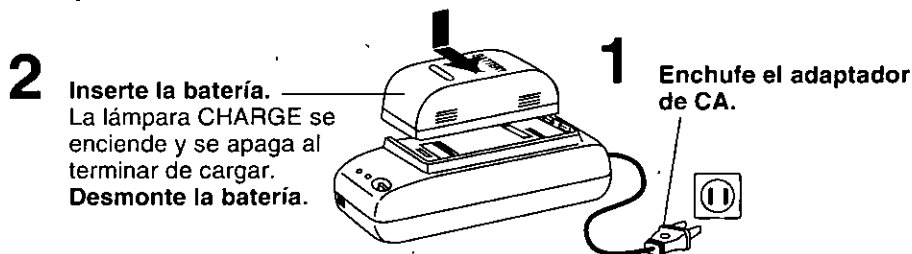
Spanish Quick Use Guide/Guía Para Uso Rápido

Antes de comenzar...

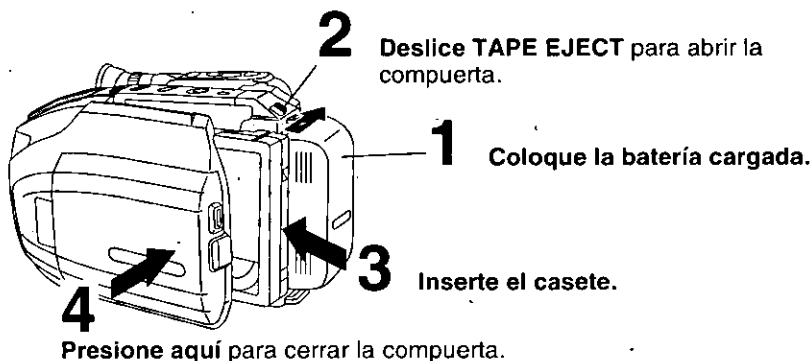
- Inserte un casete con lengüeta para prevención del grabado.

Cargue la batería

Cargue completamente la batería antes de usarla.

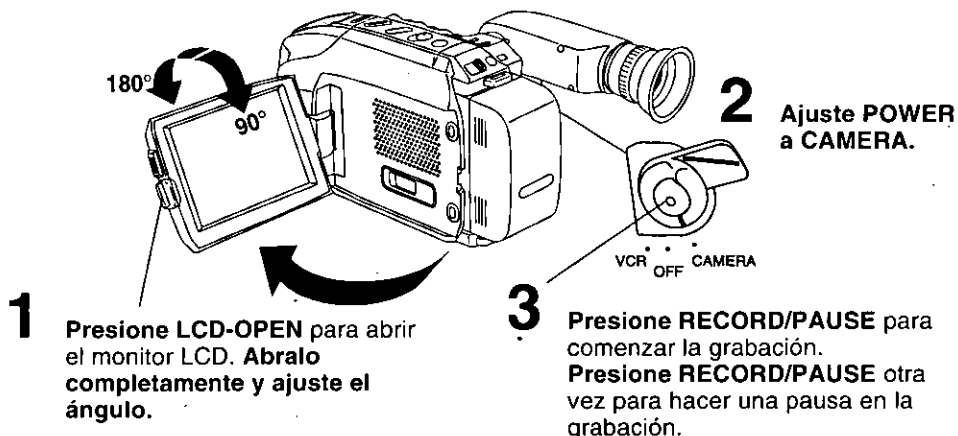


Inserte el casete



Grabación con la videocámara

Cuando el monitor LCD está completamente abierto, el visor se desconecta automáticamente.



For Your Information

Spanish Quick Use Guide/Guía Para Uso Rápido

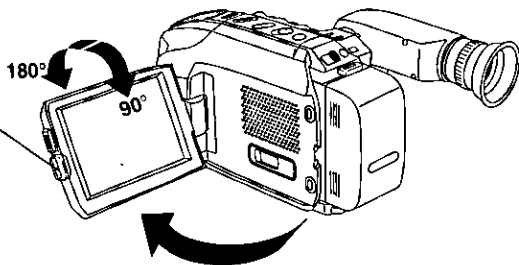
Antes de comenzar...

- Conecte la fuente de alimentación de la videocámara (batería o adaptador de CA)
- Inserte un casete con lengüeta para prevención del grabado.

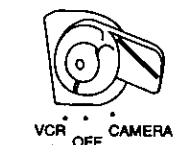
Reproduzca usando el monitor LCD

Cuando el monitor LCD está completamente abierto, el visor se desconecta automáticamente.

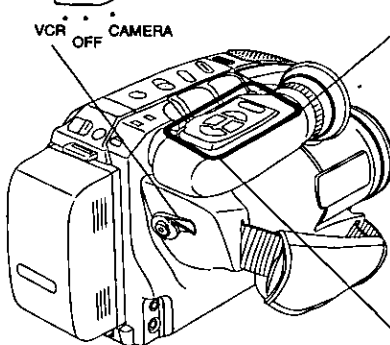
- 1** Presione LCD-OPEN para abrir el monitor LCD. Abra completamente y ajuste el ángulo.



- 2** Ajuste POWER a VCR.



- 3** Presione REWIND/SEARCH para rebobinar la cinta.



- 4** Presione PLAY para comenzar la reproducción.

- 5** Presione STOP para finalizar la reproducción.

Reproducción con efectos especiales

Para localizar rápidamente una escena específica

- Oprimir el botón de localización (SEARCH).

Para congelar una imagen

- Oprimir el botón de pausa/imagen fija (PAUSE/STILL).
- Oprimir nuevamente el botón cuando se desea continuar reproduciendo.

Panasonic Consumer Electronics Company, Division of Matsushita Electric Corporation of America
One Panasonic Way Secaucus, New Jersey 07094

Panasonic Sales Company, Division of Matsushita Electric of Puerto Rico, Inc. ("PSC")
Ave. 65 de Infantería, Km. 9.5
San Gabriel Industrial Park
Carolina, Puerto Rico 00985

