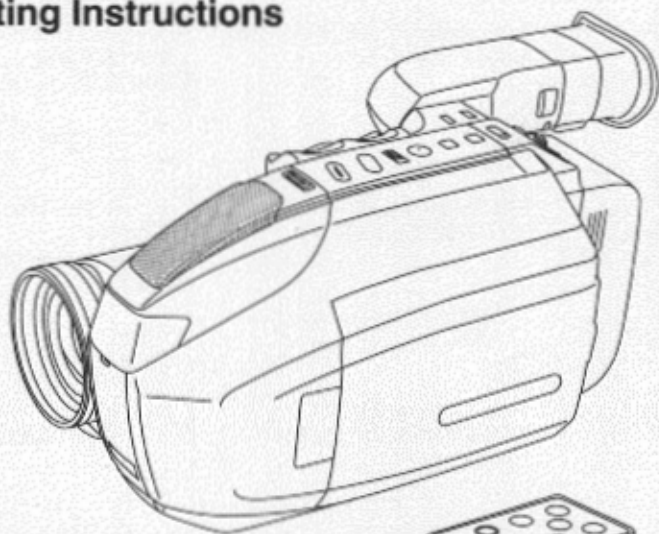


Panasonic®

Palmcorder® PalmSight™

Camcorder

Operating Instructions



(PV-L859 shown)

VHS

PV-L759

PV-L859

300x
DIGITAL / 26x
H-DEF
ZOOM

4.0"
COLOR LCD
MONITOR

**DIGITAL
STILL
CAMERA
BUILT-IN**

**DIGITAL
EIS**
STABILIZATION

LED
BUILT-IN LIGHT

2hr.
BATTERY

Please read these instructions carefully before attempting to operate this product.
Please save this manual.

Guía para rápida consulta en español está incluida.

For assistance, call 1-800-211-PANA(7262)

VQTW0745A

Getting Started

Basic Operation

Special Features

For Your Information

Things You Should Know

Thank you for choosing Panasonic!

You have purchased one of the most sophisticated and reliable products on the market today. Used properly, it will bring you years of enjoyment. Please take time to fill in the information at the right. The serial number is on the tag located on the underside of your Camcorder. Be sure to **retain this manual** as your convenient Camcorder information source.

Date of Purchase

Dealer Purchased From

Dealer Address

Dealer Phone No.

Model No.

Serial No.

Unpack your Camcorder

These accessories are provided in order to set up or use your Camcorder.

1 pc. AC Adaptor (PV-A17)
with DC Power Cable
(page 14)



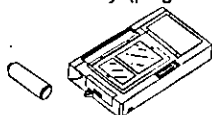
1 pc. Battery Pack (PV-BP18)
(pages 12, 13)



1 pc. Audio/Video Cable
(VJAW0027/VJAW0032/
VJAW0039) (pages 32, 34)



1 pc. VHS PlayPak
(PV-P1/YMW0009) and
one "AA" battery (page 33)



1 pc. Shoulder Strap
(VYCW0225) (page 16)



1 pc. CR2025 Clock Battery
(VSBW0004)
(installed in Camcorder)
(page 78)



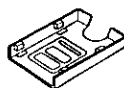
1 pc. Driver Software Floppy
Disk for Windows 95/98
(VFTW0013) (page 64)



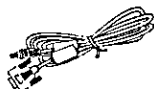
1 pc. CompactFlash Card
[2MB] (LSFA0005) (page 53)



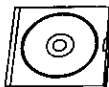
1 pc. Remote Control Holder
(VGQ6893) (pages 16, 28)



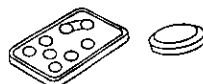
1 pc. PC Connection cable
(RS232C-3P)
(LSJA0185/LSJA0190)
(page 63)



1 pc. Adobe PhotoDeluxe
Software (VFTW0014)*
(page 69)



1 pc. 8-Function Remote
(VSQW0038) with one
CR2025 Battery. (page 28)



*only the PV-L859 contains
Adobe PhotoDeluxe software.

Remote has been loaded with
battery. (page 78)

CompactFlash Card is a trademark of SanDisk Corporation.

Microsoft, Windows, and Windows 95/98 are registered trademarks of Microsoft in the United States and other countries.

Adobe, the Adobe logo & PhotoDeluxe are trademarks of Adobe Systems Incorporated.

All product/brand names are trademarks or registered trademarks of the respective holders.

Things You Should Know





Safety Precautions

WARNING: TO PREVENT FIRE OR SHOCK HAZARD, DO NOT EXPOSE THIS EQUIPMENT TO RAIN OR MOISTURE.

Your Compact VHS Camcorder is designed to record and play back in Standard Play (SP) and Super Long Play (SLP) modes. You can also play a Compact VHS Camcorder recording on your VHS VCR using the VHS PlayPak supplied.

This Camcorder is equipped with the **HQ** System to provide excellent video pictures, and is compatible with standard VHS equipment.

It is recommended that only cassette tapes that have been tested and inspected for use in VCR machines with the **VHS-C** and/or **VHS** mark be used.

	CAUTION RISK OF ELECTRIC SHOCK DO NOT OPEN	
CAUTION: TO REDUCE THE RISK OF ELECTRIC SHOCK, DO NOT REMOVE COVER (OR BACK) NO USER-SERVICEABLE PARTS INSIDE REFER SERVICING TO QUALIFIED SERVICE PERSONNEL		
	This symbol warns the user that uninsulated voltage within the unit may have sufficient magnitude to cause electric shock. Therefore, it is dangerous to make any kind of contact with any inside part of this unit.	
	This symbol alerts the user that important literature concerning the operation and maintenance of this unit has been included. Therefore, it should be read carefully in order to avoid any problems.	

The above markings are located on the appliance bottom cover.

FCC Warning: To assure continued FCC compliance, the user must use only provided shielded interfacing cable with ferrite cores when connecting to computer. Also, any unauthorized changes or modifications to this equipment would void the users authority to operate.

This device complies with Part 15 of the FCC Rules. Operation is subject to the following two conditions: (1) This device may not cause harmful interference, and (2) this device must accept any interference received, including interference that may cause undesired operation.

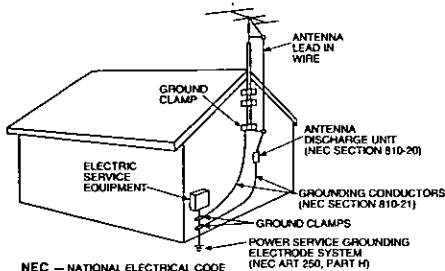
Note: This equipment has been tested and found to comply with the limits for a Class B digital device and a RF Lighting device, pursuant to part 15 and Part 18 of the FCC Rules.

These limits are designed to provide reasonable protection against harmful interference in a residential installation. This equipment generates, uses and can radiate radio frequency energy and, if not installed and used in accordance with the instructions, may cause harmful interference to radio communications. However, there is no guarantee that interference will not occur in a particular installation. If this equipment does cause harmful interference to radio or television reception, which can be determined by turning the equipment off and on, the user is encouraged to try to correct the interference by one or more of the following measures:

- Reorient or relocate the receiving antenna.
- Increase the separation between the equipment and receiver.
- Connect the equipment into an outlet on a circuit different from that to which the receiver is connected.
- Consult the dealer or an experienced radio/TV technician for help.

Important Safeguards

1. **Read Instructions** — All the safety and operating instructions should be read before the unit is operated.
2. **Retain Instructions** — The safety and operating instructions should be retained for future reference.
3. **Heed Warnings** — All warnings on the unit and in the operating instructions should be adhered to.
4. **Follow Instructions** — All operating and maintenance instructions should be followed.
5. **Cleaning** — Unplug this video unit from the wall outlet before cleaning. Do not use liquid or aerosol cleaners. Use a dry cloth for cleaning.
6. **Attachments** — Do not use attachments not recommended by the video product manufacturer as they may be hazardous.
7. **Water and Moisture** — Do not use this video unit near water — for example near a bath tub, wash bowl, kitchen sink, or laundry tub, in a wet basement, or near a swimming pool, and the like.
8. **Accessories** — Do not place this video unit on an unstable cart, stand, tripod, bracket, or table. The video unit may fall, causing serious injury to a child or adult, and serious damage to the unit. Use only with a cart, stand, tripod, bracket, or table recommended by the manufacturer, or sold with the video unit. Any mounting of the unit should follow the manufacturer's instructions and should use a mounting accessory recommended by the manufacturer. An appliance and cart combination should be moved with care. Quick stops, excessive force, and uneven surfaces may cause the appliance and cart combination to overturn.
9. **Ventilation** — Slots and openings in the cabinet are provided for ventilation and to ensure reliable operation of the video unit and to protect it from overheating. These openings must not be blocked or covered. Never place the video unit on a bed, sofa, rug, or other similar surface, or near or over a radiator or heat register. This video unit should not be placed in a built-in installation such as a bookcase or rack unless proper ventilation is provided or the manufacturer's instructions have been adhered to.
10. **Power Sources** — This video unit should be operated only from the type of power source indicated on the marking label. If you are not sure of the type of power supply to your home, consult your appliance dealer or local power company. For video units intended to be operated from battery power, or other sources, refer to the operating instructions.
11. **Grounding or Polarization** — This video unit may be equipped with either a polarized 2-wire AC (Alternating Current) line plug (a plug having one blade wider than the other) or 3-wire grounding type plug, a plug having a third (grounding) pin. The 2-wire polarized plug will fit into the power outlet only one way. This is a safety feature. If you are unable to insert the plug fully into the outlet, try reversing the plug. If the plug still fails to fit, contact your electrician to replace your obsolete outlet. Do not defeat the safety purpose of the polarized plug. The 3-wire grounding type plug will fit into a grounding type power outlet. This is a safety feature. If you are unable to insert the plug into the outlet, contact your electrician to replace your obsolete outlet. Do not defeat the safety purpose of the grounding type plug.
12. **Power-Cord Protection** — Power-supply cords should be routed so that they are not likely to be walked on or pinched by items placed upon or against them. Paying particular attention to cords of plugs, convenience receptacles, and the point where they exit from the unit.
13. **Outdoor Antenna Grounding** — If an outside antenna or cable system is connected to the video unit, be sure the antenna or cable system is grounded so as to provide some protection against voltage surges and built-up static charges. Part 1 of the Canadian Electrical Code, in USA Section 810 of the National Electrical Code, provides information with respect to proper grounding of the mast and supporting structure, grounding of the lead-in wire to an antenna discharge unit, size of grounding conductors, location of antenna discharge unit, connection to grounding electrodes, and requirements for the grounding electrode.
14. **Lightning** — For added protection of this video unit receiver during a lightning storm, or when it is left unattended and unused for long periods of time, unplug it from the wall outlet and disconnect the antenna or cable system. This will prevent damage to the video unit due to lightning and power-line surges.



Important Safeguards

15. **Power Lines** — An outside antenna system should not be located in the vicinity of overhead power lines or other electric light or power circuits, or where it can fall into such power lines or circuits. When installing an outside antenna system, extreme care should be taken to keep from touching such power lines or circuits as contact with them might be fatal.
16. **Overloading** — Do not overload wall outlets and extension cords as this can result in a risk of fire or electric shock.
17. **Objects and Liquids** — Never push objects of any kind into this video unit through openings as they may touch dangerous voltage points or short out parts that could result in a fire or electric shock. Never spill liquid of any kind onto the video unit.
18. **Servicing** — Do not attempt to service this video unit yourself as opening or removing covers may expose you to dangerous voltage or other hazards. Refer all servicing to qualified service personnel.
19. **Damage Requiring Service** — Unplug this video unit from the wall outlet and refer servicing to qualified service personnel under the following conditions:
 - a. When the power-supply cord or plug is damaged.
 - b. If any liquid has been spilled onto, or objects have fallen into the video unit.
 - c. If the video unit has been exposed to rain or water.
 - d. If the video unit does not operate normally by following the operating instructions. Adjust only those controls that are covered by the operating instructions, as an improper adjustment of other controls may result in damage and will often require extensive work by a qualified technician to restore the video unit to its normal operation.
 - e. If the video unit has been dropped or the cabinet has been damaged.
 - f. When the video unit exhibits a distinct change in performance — this indicates a need for service.
20. **Replacement Parts** — When replacement parts are required, be sure the service technician has used replacement parts specified by the manufacturer or have the same characteristics as the original part. Unauthorized substitutions may result in fire, electric shock or other hazards.
21. **Safety Check** — Upon completion of any service or repairs to this video unit, ask the service technician to perform safety checks to determine that the video unit is in safe operating order.

Precautions

USE & LOCATION

- **TO AVOID SHOCK HAZARD ...** Your Camcorder and power supply should not be exposed to rain or moisture. Do not connect the power supply or operate your Camcorder if it gets wet. Your Camcorder has been designed for outdoor use, however it is not designed to sustain direct exposure to water, rain, sleet, snow, sand, dust, or a direct splashing from a pool or even a cup of coffee. This action could permanently damage the internal parts of your Camcorder. Do not attempt to disassemble this unit. There are no user serviceable parts inside. Unplug your Camcorder from the power supply before cleaning.
- **DO NOT AIM YOUR CAMCORDER AT THE SUN OR OTHER BRIGHT OBJECTS.**
- **DO NOT LEAVE THE CAMCORDER WITH THE EVF AIMED DIRECTLY AT THE SUN AS THIS MAY CAUSE DAMAGE TO THE INTERNAL PARTS OF THE EVF.**
- **DO NOT EXPOSE YOUR CAMCORDER TO EXTENDED HIGH TEMPERATURE ...** Such as, in direct sunlight, inside a closed car, next to a heater, etc... This action could permanently damage the internal parts of your Camcorder.
- **AVOID SUDDEN CHANGES IN TEMPERATURE ...** If the unit is suddenly moved from a cold place to a warm place, moisture may form on the tape and inside the unit.
- **DO NOT LEAVE YOUR CAMCORDER OR THE POWER SUPPLY TURNED ON WHEN NOT IN USE.**
- **STORAGE OF YOUR CAMCORDER ...** Store and handle your Camcorder in a manner that will not subject it to unnecessary movement (avoid shaking and striking). Your Camcorder contains a sensitive pick-up device which could be damaged by improper handling or storage.

CARE

- **TO CLEAN YOUR CAMCORDER ...** Do not use strong or abrasive detergents when cleaning your Camcorder body.
- **TO PROTECT THE LENS ...** Do not touch the surface of the lens with your hand. Use a commercial camcorder lens solution and lens paper when cleaning the lens. Improper cleaning can scratch the lens coating.
- **TO PROTECT THE FINISH OF YOUR CAMCORDER ...** Before handling your Camcorder, make sure your hands and face are free from any chemical products, such as suntan lotion, as it may damage the finish.

Table of Contents

Getting Started

Things You Should Know	2
Important Safeguards	4
Precautions	5
Self Demo Mode	8
Quick Operation Guide	9
Supplying Power	12
Cassette Information	15
Attaching Shoulder Strap/Remote Holder	16
MENU Mode	17
Setting the Clock	19
Built-in Auto Light	22

Basic Operation

Camera Recording	23
8-Function Remote Control	28
Playing Back Recordings	29
Copying your Tapes (dubbing)	34

Special Features

Four-Speed Power Zoom	35
Backlight	35
Focus	36
High Speed Shutter	37
Tally Lamp	38
Auto Fade	39
Color Digital Fade	40
Color Digital Filter	42
Digital Zoom	43
Digital Electronic Image Stabilization (E.I.S.)	44
Still/Strobe/Wide	45
Security Mode	46
Time Lapse	48
Message Mode	49
Intelligent Titler	50
Digital Still Camera	53
CompactFlash Card Insertion/Removal	53
Recording	54
Using the Light	56
Playback	57
Deleting Specific Image Pages	58
Deleting All Image Pages	59
Picture in Picture Wipe Title	60
Digital Wipe Mode	61
PhotoShot Title Library	62
PC Connection	63
Using a PCMCIA Adaptor (optional)	70

Table of Contents

For Your Information

Viewfinder/LCD Monitor Indications	71
Operation Notes	76
Replacing Clock/Remote Battery	78
Palmcorder Accessory System	79
Palmcorder Accessory Order Form	81
Specifications	82
Before Requesting Service	83
Request for Service Notice	85
Warranty	86
Index	88
Spanish Quick Use Guide/Guía Para Uso Rápido	90

This operating instruction book is designed for use with models **PV-L759** and **PV-L859**. Illustrations in this manual show the **PV-L859**. Features may vary, so please read carefully.

Differences between models

Model Number	PV-L759	PV-L859
Viewfinder	Black and White	Color
Video Recording System	2 rotary heads plus flying erase head	4 rotary heads plus flying erase head
1/2 Slow Play	No	Yes
Adobe PhotoDelux 3.0	Not included	Included

Self Demo Mode

Self Demo mode is on when the screen below appears. Follow the steps below to turn it off.

Before you begin...

- Connect Camcorder to power source.

EVF Screen

PV-L759

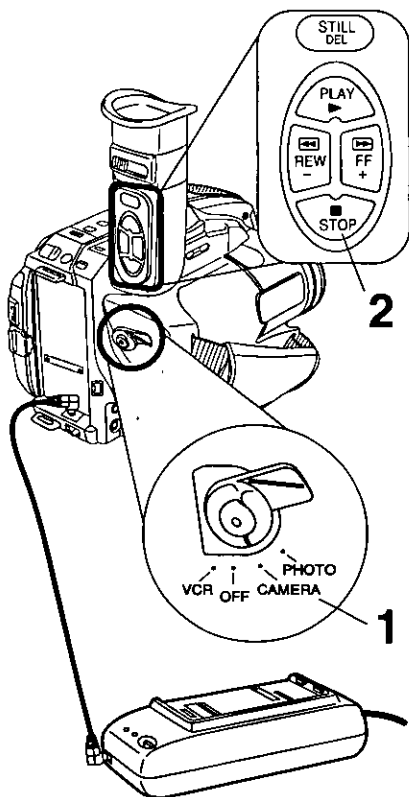
Panasonic

ITS TAPES PLAY
IN YOUR VCR
YES, IT'S VHS!
26x LENS / 300x D. ZOOM
DIGITAL STABILIZATION
FULL-SIZE HEAD SYSTEM
DIGITAL PHOTOSHOT

PV-L859

Panasonic

ITS TAPES PLAY
IN YOUR VCR
YES, IT'S VHS!
26x LENS / 300x D. ZOOM
DIGITAL STABILIZATION
DEDICATED 5-HEAD
DIGITAL PHOTOSHOT



1 Set **POWER** to **CAMERA**.

2 Hold down **STOP** over 5 seconds.

Note:

- Self Demo stops automatically if **battery is attached** (page 12) and **cassette tape is inserted** (page 15).
- Inserting a tape alone (or attaching a partially charged battery) only temporarily stops Self Demo.
- Self Demo stops for 30 seconds when a function key other than Power, Tape Speed Selector, and Light is pressed.

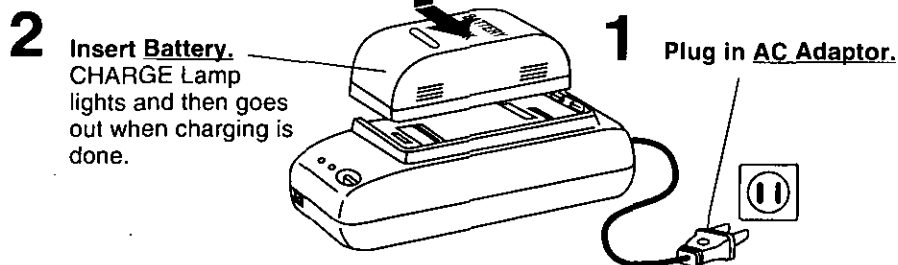
To turn Self Demo back on.

- With **DISPLAY** held down, slide **POWER** to **CAMERA** and wait for Self Demo to begin.

Quick Operation Guide

Charge the Battery Pack

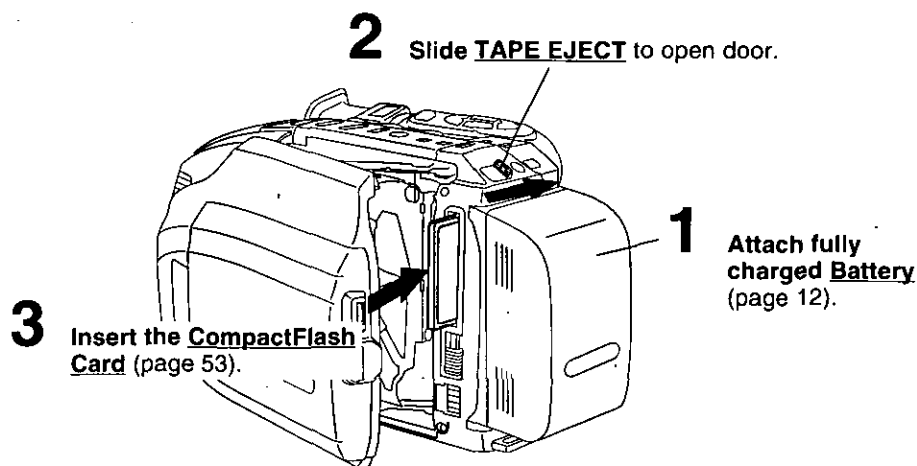
Charge Battery Pack fully before operation (page 12).



Insert the CompactFlash Card

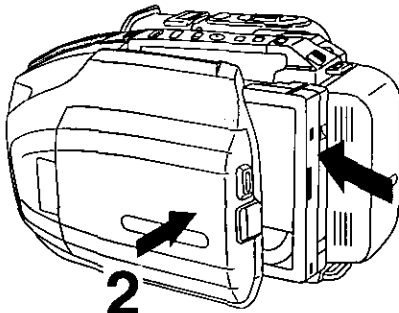
When the CompactFlash Card is not inserted in CAMERA or PHOTO mode, "NO CF CARD" appears on-screen. Be sure to insert the CompactFlash Card before using the Built-in Digital Still Camera (page 53).

CAMERA recording is possible even when the CompactFlash Card is not inserted.



Quick Operation Guide

Insert Cassette

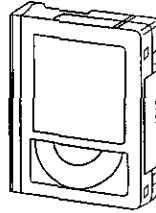


2

Press here to close door.

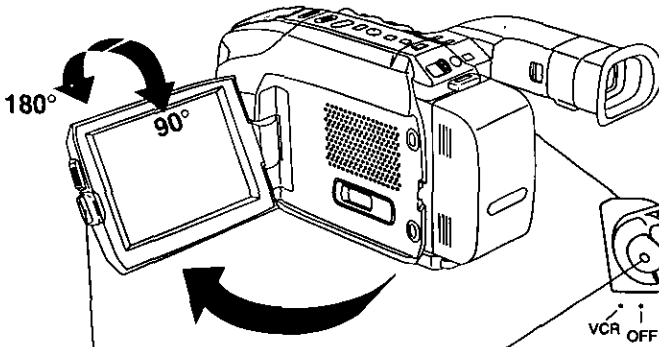
1

Insert cassette (page 15).



Camera Recording

When the LCD monitor is fully open, the Viewfinder automatically turns OFF (page 24).



1

Press LCD-OPEN to unlock the LCD monitor. Swing it fully open and adjust the angle.

2

Set POWER to CAMERA.

3

Press RECORD/PAUSE to start recording.
Press RECORD/PAUSE again to pause recording.

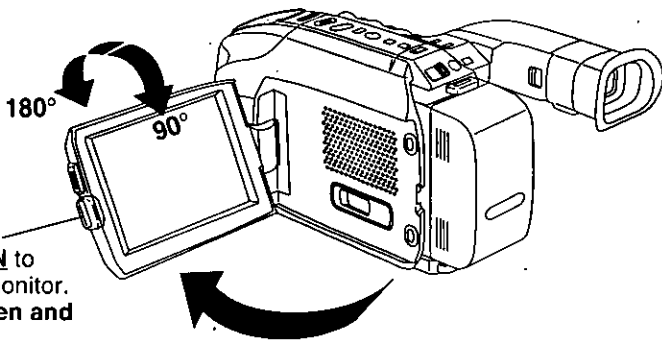
Quick Operation Guide

Playback using the LCD Monitor

When the LCD monitor is fully open, the Viewfinder automatically turns OFF (page 29).

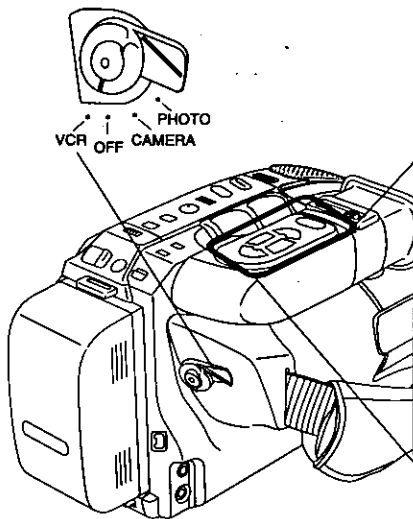
Before you begin...

- Charge Battery Pack fully before operation (page 12).

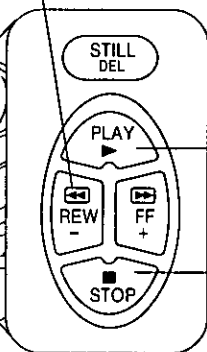


- 1** Press **LCD-OPEN** to unlock the LCD monitor. Swing it fully open and adjust the angle.

- 2** Set **POWER** to **VCR**.



- 3** Press **REWIND/SEARCH** to rewind tape.



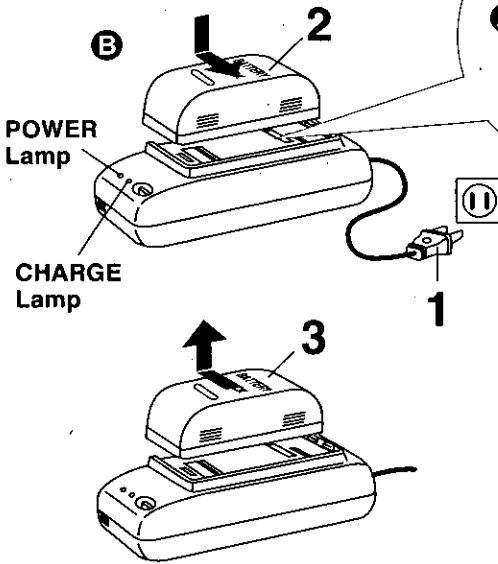
- 4** Press **PLAY** to start playback.

- 5** Press **STOP** to stop playback.

Supplying Power

Charge the Battery Pack

Charge Battery Pack fully before use.



1 Plug in **AC Adaptor**.
POWER Lamp lights.

2 Insert **Battery**.
A Align right side of Battery with line on AC Adaptor.
B Press Battery down and slide in direction of arrow.
CHARGE Lamp lights and then goes out when charging is done (approx. 1 and 1/2 hours).

3 Remove **Battery**
Slide Battery out and off.

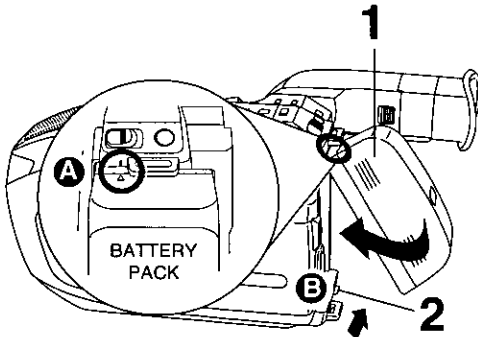
Note:

After recharging 5 times, use BATTERY REFRESH feature as explained on page 13.

• Battery life gradually decreases after repeated use and recharging. If operation time becomes very short, even after a sufficient charge, discard Battery properly (page 13).

Use the Battery Pack

A fully charged Battery provides a maximum of about 2 hours of continuous use (LCD monitor off) or about 1.5 hours (LCD monitor on). Actual time may vary due to operating conditions. Using the Built-in Light decreases operating time.



1 Attach **Battery**
A Align Battery with top of mounting surface.
B Press and snap into place.

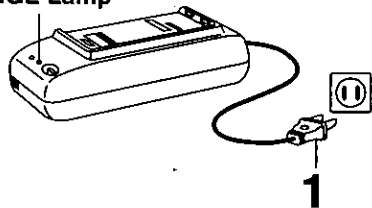
2 Remove **Battery**
While sliding **BATTERY RELEASE**, remove Battery.

Supplying Power

Battery Refresh

This feature completely discharges Battery before recharging begins. Use after about every 5 charges for optimum Battery performance.

CHARGE Lamp



1

1. Plug in **AC Adaptor**.

- POWER Lamp stays on as long as Adaptor is plugged in.

2
3

2. Place **Battery** into Adaptor.

3. Press **BATTERY REFRESH**.

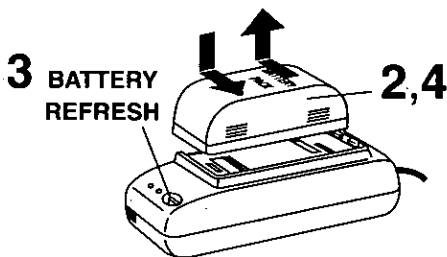
The CHARGE Lamp flashes during discharge then stays lit until charging is complete.

If BATTERY REFRESH is pressed by mistake, remove Battery from Adaptor and reinsert it for normal charging.

4

4. Remove **Battery**.

- Charging takes about 7 and 1/2 hours when Battery Refresh is used.
- Battery will not operate in extremely high temperatures.



Battery Care

Caution:

- Charge only with specified charger.
- Battery can be charged within a temperature range of 50° F (10° C) and 95° F (35° C).
- Battery is normally warm after charging or just after use.
- Do not use an insufficiently charged or worn-out Battery.

Safety precautions:

- Do not get Battery near, or dispose of in fire.
- Do not directly connect (short circuit) the positive (+) and negative (-) terminals.
- Never attempt to disassemble or reassemble Battery.

To avoid Battery damage:

- Do not drop or jar Battery.
- Use Battery with specified units only.
- If Battery is used in extremely high temperatures, a safety device will automatically prevent operation.

To prolong Battery life:

- While not in use, remove Battery from the Camcorder and AC Adaptor and store in a cool, dark, dry place.
- Keep Battery terminals clean.

U.S.A. CONSUMERS:

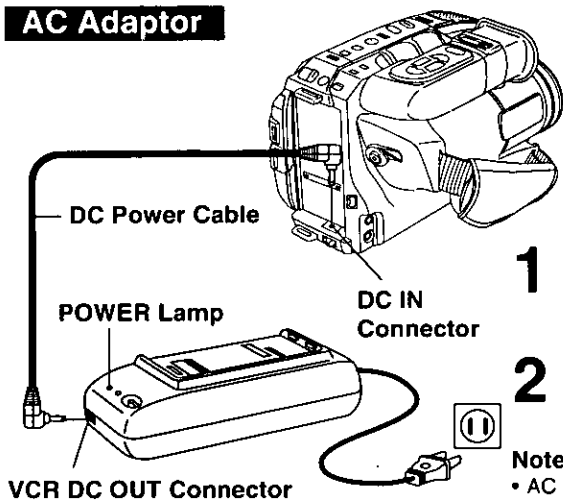
ATTENTION:

The product you have purchased is powered by a nickel cadmium battery which is recyclable. At the end of its useful life, under various state and local laws, it is illegal to dispose of this battery into your municipal waste stream. Please call 1-800-8-BATTERY for information on how to recycle this battery.



Supplying Power

AC Adaptor



1 Connect **AC Adaptor VCR DC OUT** to **Camcorder DC IN** with supplied DC Power Cable.

2 Plug in AC Adaptor. POWER Lamp lights.

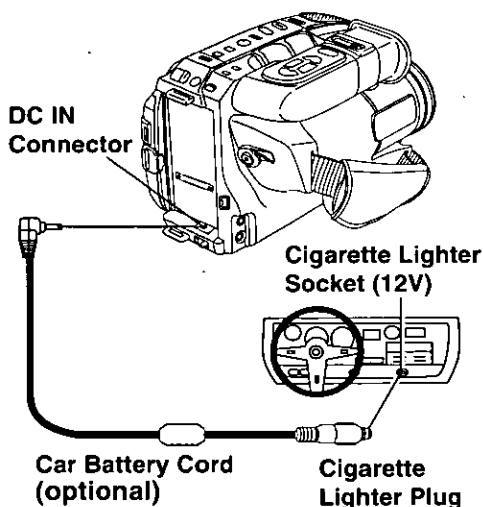
Notes:

- AC Adaptor cannot power Camcorder while charging Battery.
- When not in use, unplug AC Adaptor from AC outlet. (Adaptor uses 1.2 W of electricity while plugged in.)

CAUTION:

This unit will operate on 110/120/220/240V AC. An AC plug adaptor may be required for voltages other than 120V AC. Please contact either a local or foreign electrical parts distributor for assistance in selecting an alternate AC plug. We recommend using the accessory power plug adaptor (VJSS0070) in an area which has special AC outlets.

Car Battery Cord (Optional)



1 Connect **PV-C16 Car Battery Cord** (optional, page 80) to **Camcorder DC IN**.

2 **A** Start engine first.
B Plug Car Battery Cord into Cigarette lighter socket.

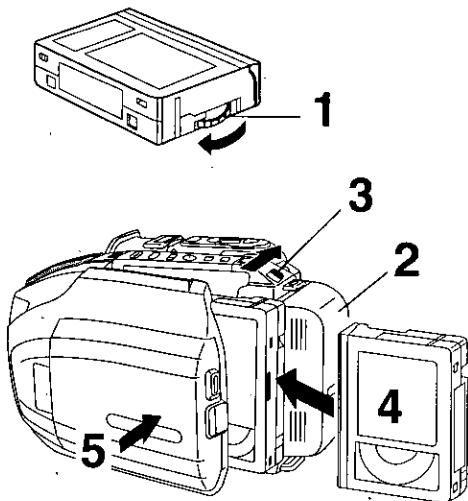
- If Car Battery cord fuse needs replacing, use exact current rating (in amps).

Notes:

- This cord only works in vehicles equipped with **DC 12V (negative ground)** battery. Check with your car/truck dealer. Use only specified car battery cord.
- To avoid blowing the car battery cord fuse, do step 2 in the proper order.
- Running vehicles must be well ventilated.
- When not in use, disconnect cigarette lighter plug.

Cassette Information

Cassette Insertion/Removal



- 1 Turn **Tape Wheel** in direction of arrow until there is no slack.
 - 2 Attach **Battery** (page 12).
 - 3 Slide **TAPE EJECT** to open door.
 - 4 Insert **cassette** as shown.
 - 5 Press here to close door.
- To remove the cassette, slide the **TAPE EJECT** switch.

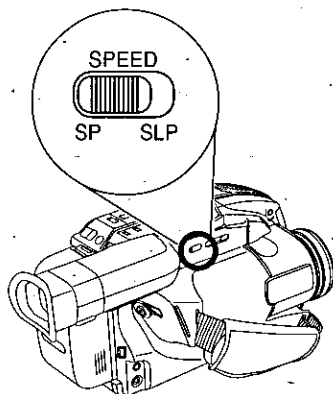
Record/Playback Time

Use tapes with the **VHSC** mark in this unit.

Tape Speed Selector Position	Cassette type		
	TC-20	TC-30	TC-40
SP (Standard Play)	20 minutes	30 minutes	40 minutes
SLP (Super Long Play)	1 hour	1 hour 30 minutes	2 hours

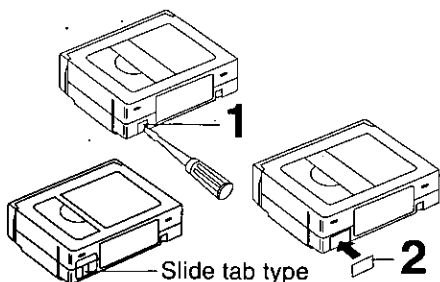
- SLP playback may contain more picture noise.

TAPE SPEED Selector



Erase Protection Tab

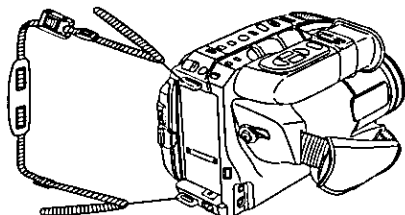
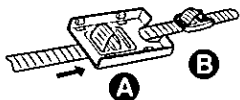
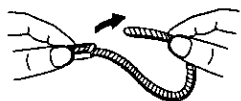
A record tab ensures recordings are not accidentally erased.



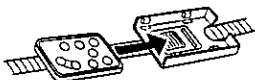
- 1 To prevent erasure, **break off tab** with screwdriver. (Or, slide tab open.)
- 2 To record again, **cover hole** with adhesive tape. (Or, slide tab closed.)

Attaching Shoulder Strap/Remote Holder

Remove Battery Pack before doing steps.



min. 1 inch (25.4mm)



1 Undo strap ends from buckles.

2 Remove one buckle.

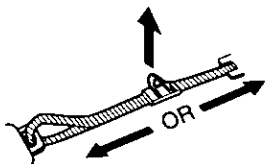
3 **A** Thread strap (with no buckle) through Remote Holder so it faces outward.
B Replace buckle.

4 Thread strap ends through Strap Rings on Camcorder.

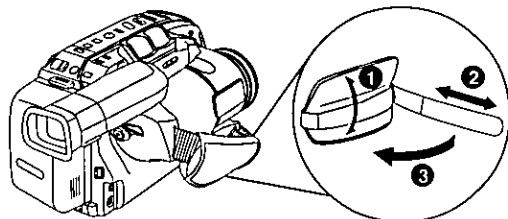
5 Re-insert the strap ends into buckles.

6 Insert Remote into Holder when not in use.

Adjusting the Length



Hand Strap



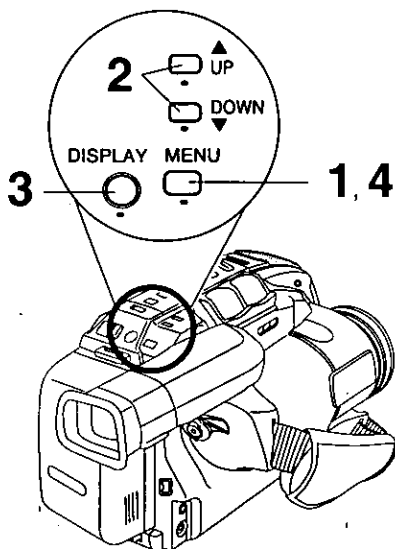
Adjust Hand Strap length to fit your hand as shown.

MENU Mode

Using MENU Mode

Before you begin...

- Connect Camcorder to power source.
- Set POWER to CAMERA.



- 1 Press MENU for MENU mode.

```
--- MENU --- PAGE 1/2
PROGRAMMED REC
TITLE       : AUTOMANUAL
TALLY LAMP  : ON
STAND-BY RELEASE : OFF
CLOCK SET
↓
SELECT: PUSH  ▽/▲ KEY
SET    : PUSH  DISPLAY KEY
END    : PUSH  MENU KEY
```

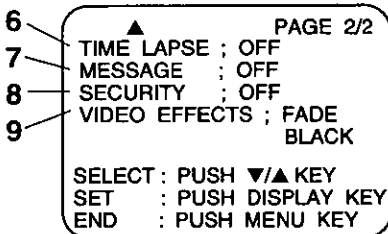
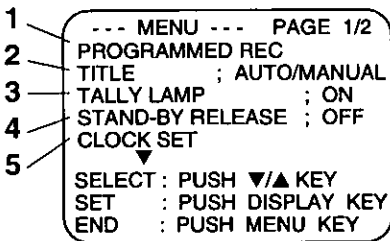
- 2 Press UP ▲ or DOWN ▼ to highlight menu item.
- 3 Press DISPLAY to set selection.
- 4 Press MENU to exit.

Note:

- The Menu mode is canceled if UP/DOWN(▲/▼), DISPLAY, or MENU are not pressed within 5 minutes.

MENU Mode

MENU Mode Screen



- 1 PROGRAMMED REC** (page 27).
Camcorder starts and stops recording at a preset time.
- 2 TITLE** (pages 50~52).
AUTO/MANUAL : 16 items
PHRASE : 10 items
- 3 TALLY LAMP** (page 38).
ON: lamp lights during recording.
- 4 STAND-BY RELEASE** (page 25).
ON: enables quick resumption of recording from Stand-by mode.
- 5 CLOCK SET** (pages 19~21).
Select to set clock.
- 6 TIME LAPSE** (page 48).
ON: enables TIME LAPSE recording.
- 7 MESSAGE** (page 49).
ON: enables MESSAGE recording.
- 8 SECURITY** (pages 46, 47).
MOTION : enables Motion Security recording.
AUDIO : enables Audio Security recording.
MOTION•AUDIO: enables Motion•Audio Security recording.
- 9 VIDEO EFFECTS** (pages 39~42).
AUTO FADE : BLACK or WHITE
DIGITAL FADE : TYPE → 7 types
COLOR → 8 colors
DIGITAL FILTER: COLOR → 5 colors

Setting the Clock

Set the following items in order: Time Zone, Daylight Saving Time, Date and Time.

Setting the Time Zone

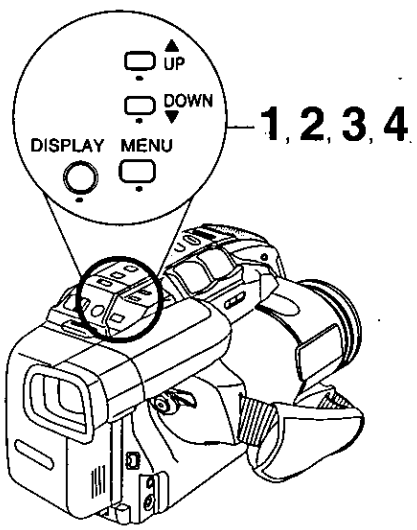
The Camcorder is preset to Eastern time. To change time zone, do steps at right.

Before you begin...

- Connect Camcorder to power source.
- Set POWER to CAMERA.

Note:

- Setting POWER to VCR also displays CLOCK SET menu.
- Clock may lose or gain up to 2 minutes per month. To adjust, see page 21.



1 Press **MENU** for MENU mode. Press **UP ▲** or **DOWN ▼** to select **CLOCK SET**.

```

... MENU ... PAGE 1/2
PROGRAMMED REC : AUTO/MANUAL
TITLE           : 
TALLY LAMP     : ON
STAND-BY RELEASE : OFF
CLOCK SET
  ▼
SELECT : PUSH ▼/▲ KEY
SET     : PUSH DISPLAY KEY
END     : PUSH MENU KEY
  
```

2 Press **DISPLAY** for CLOCK SET menu. Press **UP ▲** or **DOWN ▼** to select **TIME ZONE**.

```

... CLOCK SET ...
TIME ZONE : EASTERN
D. S. T.    : AUTO
DATE/TIME   : 12:00:00AM
              JAN 1 1999
SELECT : PUSH ▼/▲ KEY
SET     : PUSH DISPLAY KEY
END     : PUSH MENU KEY
  
```

3 Press **DISPLAY** for SELECT TIME ZONE menu. Press **UP ▲** or **DOWN ▼** to select local time zone.

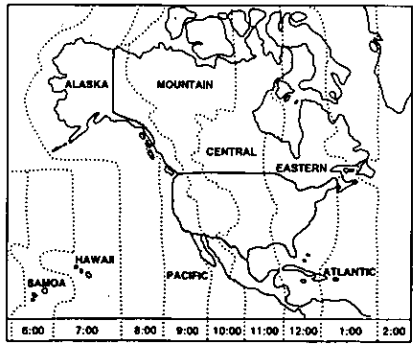
```

... SELECT TIME ZONE ...
ATLANTIC      PACIFIC
EASTERN     ALASKA
CENTRAL       HAWAII
MOUNTAIN      SAMOA
SELECT : PUSH ▼/▲ KEY
SET     : PUSH DISPLAY KEY
  
```

4 Press **DISPLAY** to confirm entry. Press **MENU** twice to exit.

- When traveling, repeat these steps and select one of the 8 listed time zones to set the clock to local time.

Time Zone chart



Note:

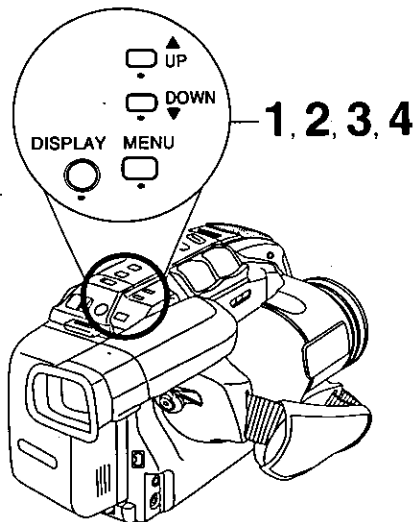
When traveling outside the listed time zones, set clock to local time manually (page 21).

Setting the Clock

Auto Daylight Saving Time

Clock will auto-adjust to daylight-saving time (DST).

The Camcorder is preset to DST: **AUTO**. If DST is not observed in your area, set to **OFF** by doing the following steps.



Before you begin...

- Connect Camcorder to power source.
- Set **POWER** to **CAMERA**.

Note:

- When **POWER** is set to **VCR**, **CLOCK SET** menu appears.
- Auto DST does not function if time zone is set to Hawaii or Samoa (page 19).

- 1 Press **MENU** for **MENU** mode. Press **UP ▲** or **DOWN ▼** to select **CLOCK SET**.

```
--- MENU --- PAGE 1/2
PROGRAMMED REC
TITLE : AUTOMANUAL
TALLY LAMP : ON
STAND-BY RELEASE : OFF
CLOCK SET
↓
SELECT : PUSH ▼/▲ KEY
SET : PUSH DISPLAY KEY
END : PUSH MENU KEY
```

- 2 Press **DISPLAY** for **CLOCK SET** menu. Press **UP ▲** or **DOWN ▼** to select **D.S.T.**.

```
--- CLOCK SET ---
TIME ZONE : EASTERN
D.S.T. : AUTO
DATE/TIME : 12:00:00AM
JAN 1 1999
SELECT : PUSH ▼/▲ KEY
SET : PUSH DISPLAY KEY
END : PUSH MENU KEY
```

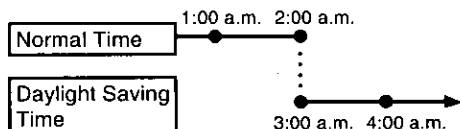
- 3 Press **DISPLAY** for **DAYLIGHT SAVING TIME** menu. Press **UP ▲** or **DOWN ▼** to select **OFF** or **AUTO**.

```
-- DAYLIGHT SAVING TIME --
AUTO
OFF
SELECT : PUSH ▼/▲ KEY
SET : PUSH DISPLAY KEY
```

- 4 Press **DISPLAY** to confirm entry. Press **MENU** twice to exit.

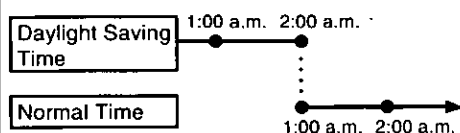
Spring (First Sunday in April):

DST: AUTO = ahead one hour.



Autumn (Last Sunday in October):

DST: AUTO = back one hour.



Setting the Clock

Setting Date and Time

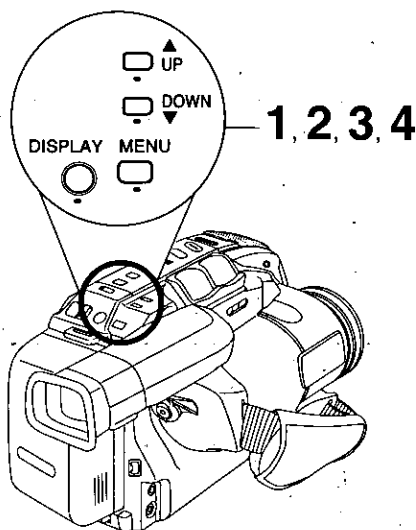
Date and time including leap year are calculated up to DEC 31, 2097.

Before you begin...

- Connect Camcorder to power source.
- Set POWER to CAMERA.

Note:

- When POWER is set to VCR, CLOCK SET menu appears.



- 1 Press **MENU** for MENU mode. Press **UP ▲** or **DOWN ▼** to select **CLOCK SET**.

```

--- MENU --- PAGE 1/2
PROGRAMMED REC
TITLE      : AUTO/MANUAL
TALLY LAMP : ON
STAND-BY RELEASE : OFF
CLOCK SET
SELECT : PUSH ▼/▲ KEY
SET    : PUSH DISPLAY KEY
END    : PUSH MENU KEY
  
```

- 2 Press **DISPLAY** for CLOCK SET menu. Press **UP ▲** or **DOWN ▼** to select **DATE/TIME**.

```

--- CLOCK SET ---
TIME ZONE : EASTERN
D. S. T.  : AUTO
DATE/TIME : 12:00:00AM
              JAN 1 1999
SELECT : PUSH ▼/▲ KEY
SET    : PUSH DISPLAY KEY
END    : PUSH MENU KEY
  
```

- 3 Press **DISPLAY** for DATE/TIME menu.

```

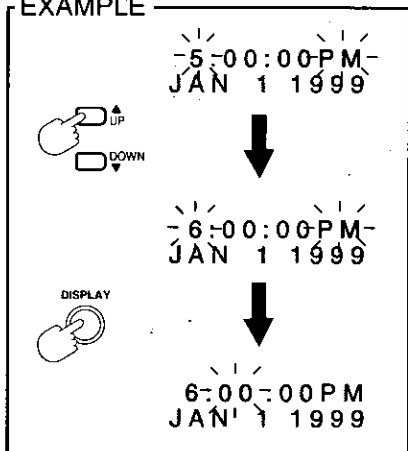
--- DATE/TIME SETTING ---
-12:00:00AM-
  JAN 1 1999
SELECT : PUSH ▼/▲ KEY
SET    : PUSH DISPLAY KEY
  
```

- 4 Press or hold down **UP ▲** or **DOWN ▼** to select hour, then press **DISPLAY** to fix.

Repeat for minute, month, day, and year. Clock starts when year is entered.

Press **MENU** twice to exit.

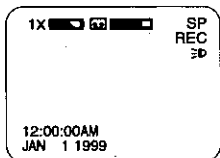
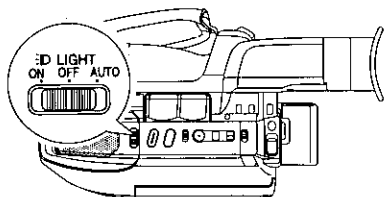
EXAMPLE



Built-in Auto Light

Using the Light

For recording in dim lighting.



Before you begin...

- Connect Camcorder to power source.
- Set POWER to CAMERA.

Set LIGHT to AUTO.

Light turns on/off automatically according to lighting conditions.

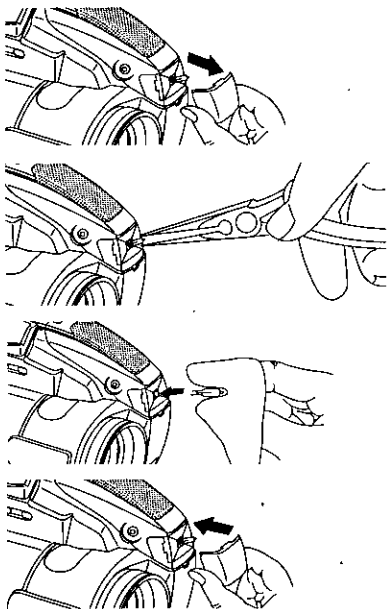
Or, set LIGHT to ON/OFF manually.

☞ appears in EVF when Light is on.

Caution:

Light becomes hot. Never cover Light while on.

Replacing the Bulb



Before you begin...

- Order Part No. VULS0001 (VLLW0015 and cushions) for replacement bulb unit.
- Set POWER to OFF.

- 1 Press in on both sides of lens cover and pull straight out and off.
- 2 Using Tweezers or needle-nose pliers, carefully remove bulb.
 - Take unit to service center if you need assistance.
- 3 Replace bulb using a clean cloth or tissue.
- 4 Replace lens cover.

DANGER:

Use only replacement bulb (PART NO. VLLW0015) supplied by Panasonic to reduce risk of fire.

Handle new bulb with cloth or tissue as skin oils will decrease bulb life.

Remove lens cover and allow bulb to cool before replacing to avoid possible burn hazard.

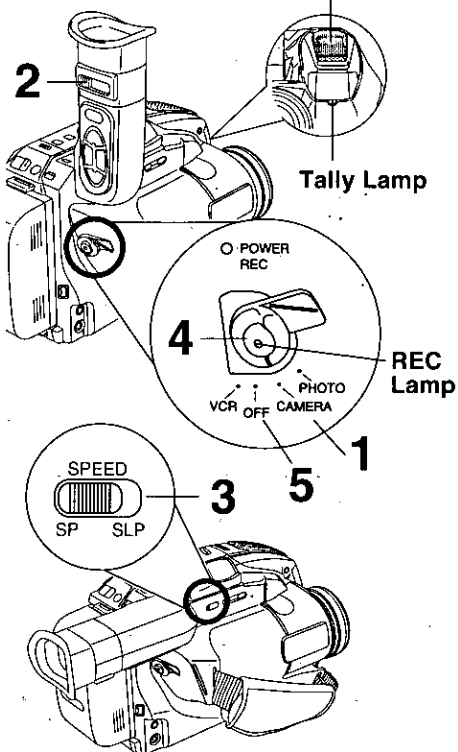
Note:

- Using Light reduces battery operating time.
- Provide proper ventilation when using Light extensively in a hot environment.
- Using Light when the Camcorder is powered by a car battery may shorten bulb life.
- Set Light to OFF when not in use.
- Handle bulb gently. Excessive force may cause bulb to crack.

Camera Recording

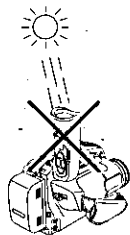
Simple Recording

Built-in Twin Capsule
2-Way Microphone
System



WARNING:

- Do not leave the camcorder with the EVF aimed directly at the sun. This may cause damage to the internal parts of the EVF.



- When Camcorder is aimed at excessively bright objects, or bright lights, a vertical bar may appear in the picture. This is normal for the CCD pick-up. Try to avoid this when possible.

Before you begin...

- Connect Camcorder to power source.
- Insert cassette with record tab (page 15).

1

Set **POWER** to **CAMERA**.

Lens Cover opens.

EVF

- Be sure **POWER** is fully turned to **CAMERA** position.

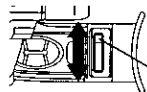
PAUSE

Record/Pause mode:

2

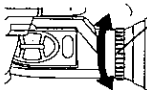
Look into **Viewfinder** and adjust **Vision Adjustment** control to your eyesight.

Underside View



(PV-L859)

Vision Adjustment
control



(PV-L759)

3

Slide **TAPE SPEED** to SP or SLP (page 15).

4

Press **RECORD/PAUSE** to start or pause recording. REC lamp lights during recording. Tally lamp also lights if set to ON (page 38).

RECORD

5

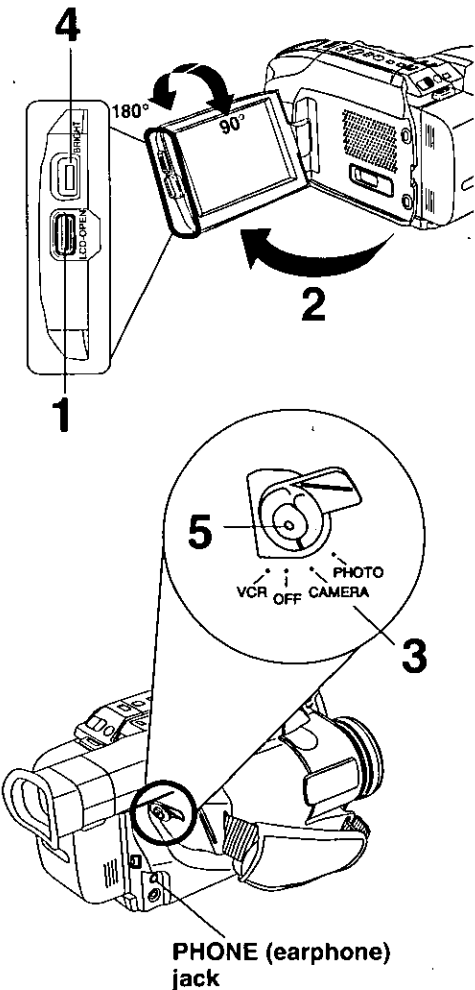
Set **Power** to **OFF** when finished.

- To remove cassette, slide **TAPE EJECT** in Record/Pause mode. (page 15).

Camera Recording

Using the LCD Monitor

View recording scene on the LCD (Liquid Crystal Display).



Before you begin...

- Connect Camcorder to power source.
- Insert cassette with record tab (page 15).

1 Press **LCD-OPEN** to unlock LCD.

2 Swing **LCD fully open** and adjust viewing angle.

Caution:

Rotating partially open LCD monitor may block cassette door and damage Camcorder body.

3 Set **POWER** to **CAMERA**.

- LCD monitor turns off/on by the POWER switch.
- Viewfinder shuts off when LCD is fully opened and turns back on when LCD is closed completely.
- Both Viewfinder and LCD monitor turn on when LCD is at 180° (see above left).
This allows both you and the subject to view the recording.

4 Turn **BRIGHT** control to adjust LCD brightness level.

5 Press **RECORD/PAUSE** to start recording (page 23).

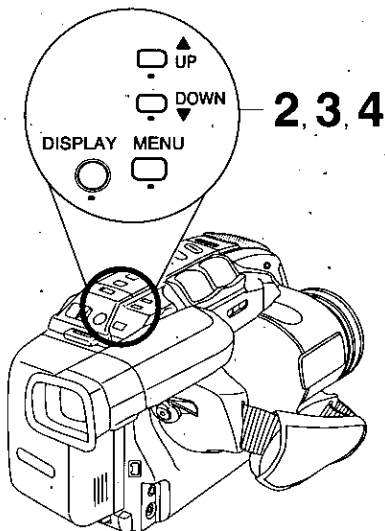
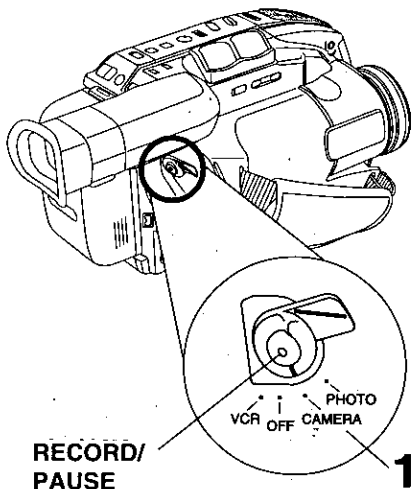
Note:

- Using LCD reduces battery operation time.
- To hear sound while recording, connect earphone (M3 type: not supplied) to PHONE jack. Earphone volume cannot be changed while in CAMERA mode.
- Lock LCD closed when not in use.

Camera Recording

Stand-by Quick Release

If left in RECORD/PAUSE mode for 5 minutes, Camcorder switches to Stand-by mode to conserve battery. When set to ON, Stand-by Quick Release lets you resume recording by pressing RECORD/PAUSE two times. New camcorders will default to OFF.



Before you begin...

- Connect Camcorder to power source.
- Insert cassette with record tab (page 15).

- 1 Set **POWER** to **CAMERA**.
- 2 Press **MENU** for **MENU** mode.
Press **UP** ▲ or **DOWN** ▼ to select **STAND-BY RELEASE**.

```
.... MENU .... PAGE 1/2
PROGRAMMED REC
TITLE      : AUTOMANUAL
TALLY LAMP : ON
STAND-BY RELEASE : ON
CLOCK SET
SELECT : PUSH ▼/▲ KEY
SET    : PUSH DISPLAY KEY
END    : PUSH MENU KEY
```

- 3 Press **DISPLAY** to select ON/OFF.

ON: From Stand-by mode,
press RECORD/PAUSE two times
to resume recording.

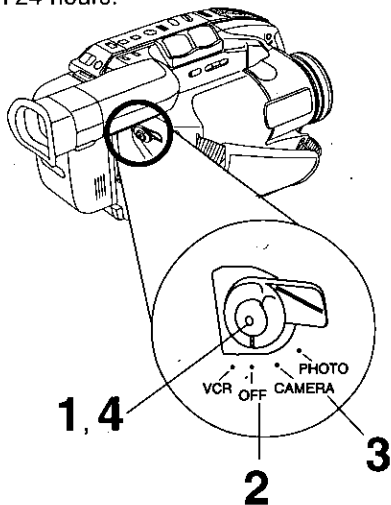
OFF: From Stand-by mode,
set POWER to OFF, then to
CAMERA.
Press RECORD/PAUSE to record.

- 4 Press **MENU** to exit.

Camera Recording

Easy Edit Stand-by

For a smooth transition between scenes if recording is stopped, and then started within 24 hours.



Before you begin...

- Connect Camcorder to power source.
- Insert cassette with record tab (page 15).

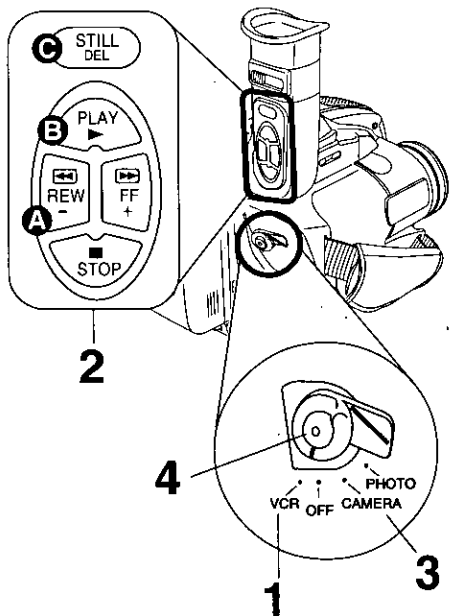
- 1** Press **RECORD/PAUSE** to stop recording.
- 2** Set **POWER to OFF** and leave cassette in Camcorder.
- 3** To resume recording, set **POWER to CAMERA**.
- 4** Press **RECORD/PAUSE** to resume recording.

Note:

- Use Manual Easy Edit (below) if more than 24 hours before recording is resumed.

Manual Easy Editing

For proper continuity when taping from Stop mode or after attaching a new Battery.



Before you begin...

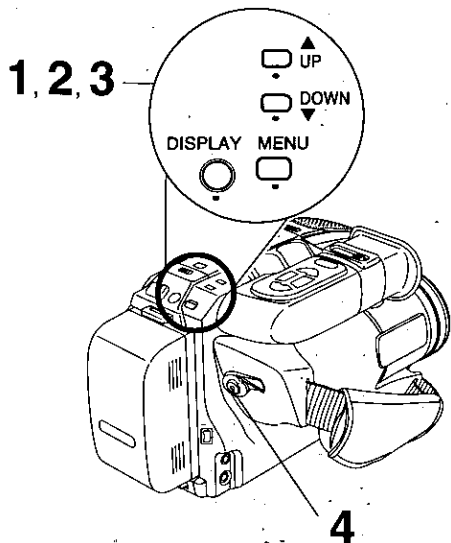
- Connect Camcorder to power source.
- Insert cassette with record tab (page 15).

- 1** Set **POWER to VCR**.
- 2**
 - A** Press **REWIND/SEARCH** to rewind a few seconds of tape.
 - B** Press **PLAY** to review recording.
 - C** Press **STILL** where you want to continue recording.
- 3** Set **POWER to CAMERA**.
- 4** Press **RECORD/PAUSE** to resume recording.

Camera Recording

Programmed Recording

Set a recording start and stop time. Or, set a 5 or 10 second interval recording to be done each minute.



Before you begin...

- Connect Camcorder to power source. Use AC Adaptor for longer recordings.
- Insert cassette with record tab (page 15).
- Set POWER to CAMERA.

- 1** Press **MENU** for MENU mode. Press **UP ▲** or **DOWN ▼** to select **PROGRAMMED REC.**

```

--- MENU --- PAGE 1/2
PROGRAMMED REC
TITLE      : AUTO/MANUAL
TALLY LAMP : ON
STAND-BY RELEASE : OFF
CLOCK SET
SELECT : PUSH ▼/▲ KEY
SET    : PUSH DISPLAY KEY
END    : PUSH MENU KEY
  
```

- 2** Press **DISPLAY**. (Current time is displayed.) Each additional press of **DISPLAY** increases start time by 30 minutes.

```

START : 10:20PM
REC TIME : 10MIN.
SELECT : PUSH ▼/▲ KEY
SET    : PUSH DISPLAY KEY
START  : PUSH RECORD KEY
CANCEL : PUSH MENU KEY
10:20:00PM
  
```

- 3** Press **DOWN ▼** to select **REC TIME**. Press **DISPLAY** repeatedly to select one of the options shown at the left.

```

START : 10:30PM
REC TIME : 10MIN.
SELECT : PUSH ▼/▲ KEY
SET    : PUSH DISPLAY KEY
START  : PUSH RECORD KEY
CANCEL : PUSH MENU KEY
10:20:00PM
  
```

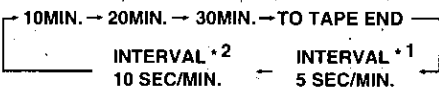
To cancel the setup, press **MENU** twice.

- 4** Press **RECORD/PAUSE** to place Camcorder in stand-by mode.

```

STAND-BY
START : 10:30PM
REC TIME : 10MIN.
10:20:00PM
JUN 1 1999
  
```

Recording will be done as scheduled.

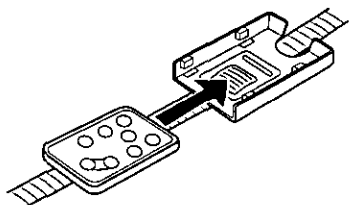


- *1 Interval 5 SEC/MIN:**
Record 5 seconds each minute.
- *2 Interval 10 SEC/MIN:**
Record 10 seconds each minute.

- Note:**
- Start time may not be set over 24 hours from current time.
 - Camcorder shuts off at tape end, or 12 hours after Interval Recording starts.
 - To cancel, set POWER to OFF.

8-Function Remote Control

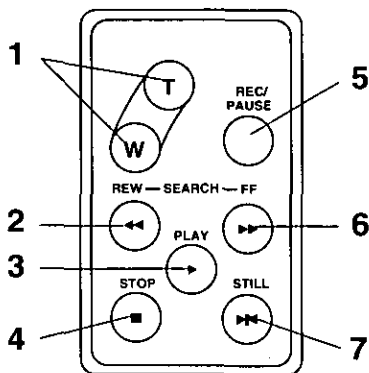
Remote Control Holder



When not in use, slide remote into its holder on the shoulder strap (page 16).

Remote Control Operation

Operate Camcorder's main function up to about 16 feet (5 m) away.
Aim remote at sensor on Camcorder.

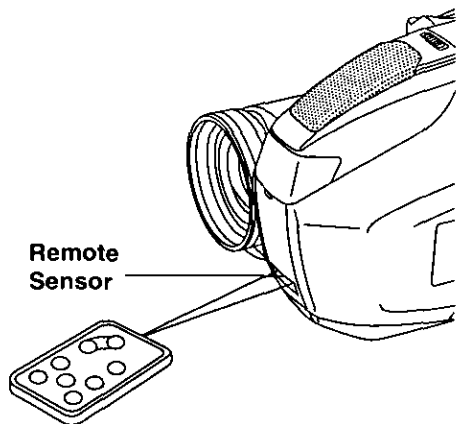


Controlled Functions

- 1 POWER ZOOM**
page 35.
- 2 REWIND/SEARCH**
page 29.
- 3 PLAY**
page 29.
- 4 STOP**
See page 29.
- 5 RECORD/PAUSE**
page 23.
- 6 FAST FORWARD/SEARCH**
page 31.
- 7 STILL**
page 31.

Important Note:

- After 5 minutes in Rec/Pause mode, the camcorder will shut off to conserve battery power. If recording is resumed within 30 minutes, press REC/PAUSE two times. If over 30 minutes, set POWER to OFF, then CAMERA, then press REC/PAUSE.

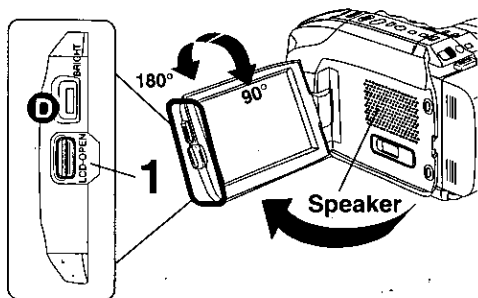


Playing Back Recordings

Playback on EVF or LCD Monitor

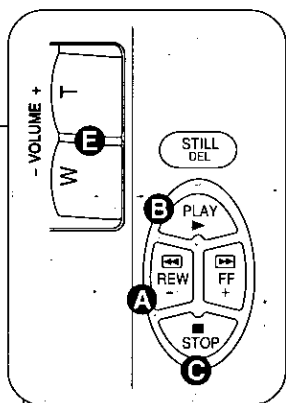
Before you begin...

- Connect Camcorder to power source.
- Insert recorded tape.



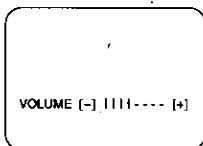
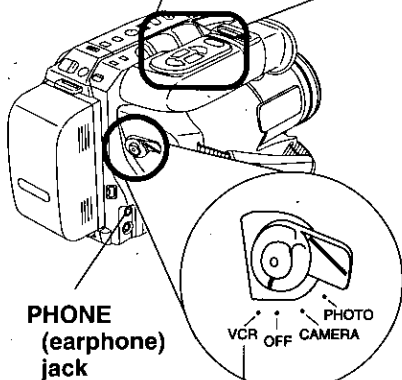
- 1** Press **LCD-OPEN** and swing LCD monitor fully open.
- If you want to playback on EVF, close and lock LCD completely.

- 2** Set **POWER** to **VCR**.
- If tape has no record tab, auto playback begins.
 - LCD monitor turns on/off by the POWER switch.
 - Viewfinder shuts off when LCD is fully opened and turns back on when LCD is locked shut.
 - Return LCD monitor to locked position when not in use.



- 3** Playback function buttons.

- A** **REW(ind)** : Rewind tape.
 - B** **PLAY** : Play tape.
 - C** **STOP** : Stop tape.
 - D** **BRIGHT** : Adjust LCD brightness.
 - E** **VOLUME** : Adjust volume of speaker, or earphone if connected.
- Press "T" : Volume up(+).
Press "W" : Volume down(-).



Note:

- Using LCD reduces battery operating time.
- When earphone (M3 type: not supplied) is connected to PHONE jack, speaker is muted.

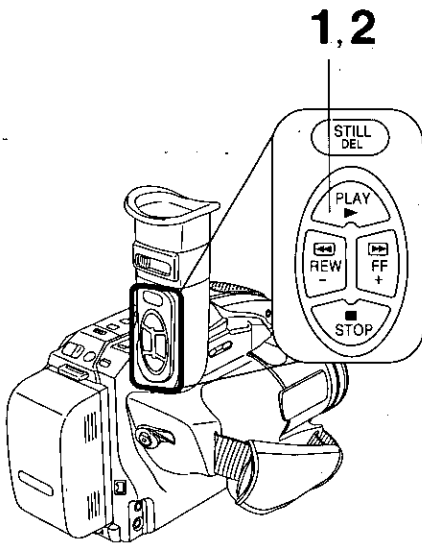
Playing Back Recordings

1/2 Slow Play (PV-L859 only)

Available only with SP recordings made on this Palmcorder.

Before you begin...

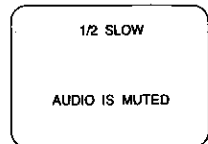
- Connect Palmcorder to power source.
- Insert tape recorded in SP mode.
- Set POWER to VCR.



1

During playback, press **PLAY** for 1/2 Slow Play mode. Audio is muted.

- Picture noise will occur in 1/2 slow play.
- If the recorded speed changes from SP to SLP, normal speed playback is resumed.



2

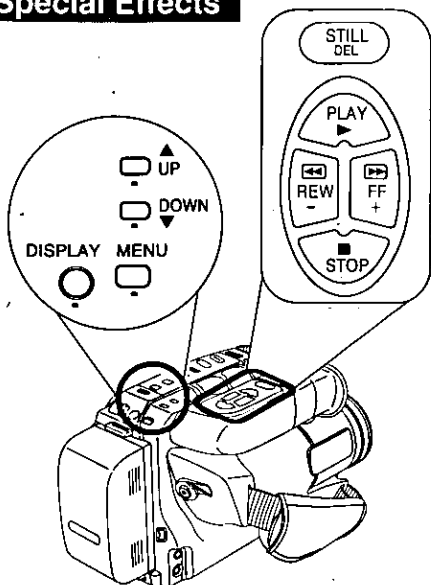
Press **PLAY** again to resume normal speed playback.

Note:

- Vertical jitter may occur during playback.
- Skew may occur at top of picture.

Playing Back Recordings

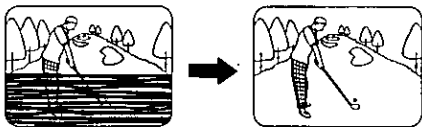
Special Effects



Note:

- During search, horizontal noise bars will appear. Audio is muted.
- To protect video heads and tape, operating modes will revert as follows after 5 minutes:
Still → Stand-by
Stand-by → Power off (when Battery Pack is used).
- Tape auto-rewinds if played or fast forwarded to end.

Tracking Control



Before you begin...

- Connect Palmcorder to power source.
- Insert recorded tape.
- Set POWER to VCR.

Quick Visual Search

Search Speed

- SP (Standard Play) : 3 times normal.
- SLP (Super Long Play) : 9 times normal.

During playback, press:

FF : fast forward search

REW : rewind search

Press again or PLAY for normal play.

Still Picture

Press **STILL** to freeze picture.

Press again for normal play.

This feature works best in SLP mode (pages 15, 23).

Auto Tracking

Continuously analyzes each recording for optimum picture quality.

Manual Tracking

Some recordings require manual adjustment to reduce noise:

In Playback mode:

Press **UP ▲** or **DOWN ▼** until Playback picture clears up.

Press **DISPLAY** to return to Auto Tracking.

In Still mode: (PV-L859 only)

Press **UP ▲** or **DOWN ▼** until Still picture clears up.

Press **DISPLAY** to return to Auto Tracking.

V-Lock Control (PV-L859 only)

Reduces jitter in Still mode.

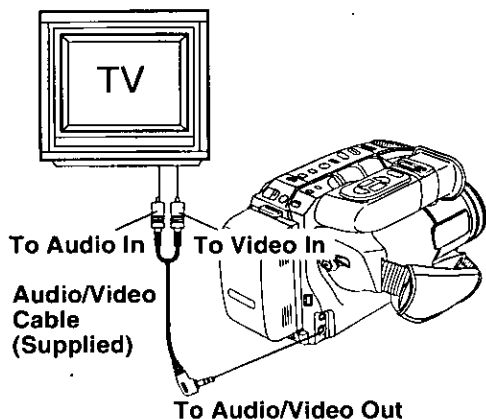
Hold down **DISPLAY** and **UP ▲** or **DOWN ▼** until picture is stable.

Playing Back Recordings

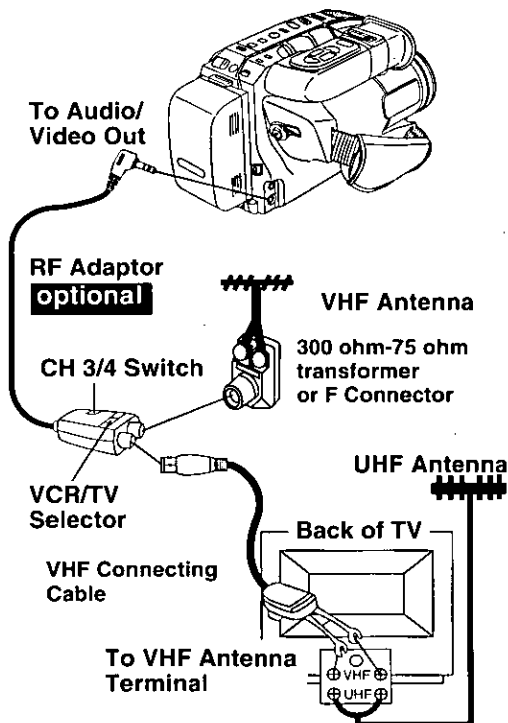
TV Playback or Viewing

Connect Camcorder to a TV to view playback or recordings in progress.

TV with AUDIO/VIDEO IN Jacks.



TV without AUDIO/VIDEO IN Jacks.



Before you begin...

- Connect Camcorder to power source.
- Make all TV-Camcorder connections.

- 1** Set **POWER** to:
VCR → view playback.
CAMERA → view picture as it is recorded.
- 2** Turn **TV ON** and set to **LINE INPUT**.
See TV owner's manual.
- 3** Begin playback or recording.

If TV has no **VIDEO/AUDIO IN** jacks, connect **PV-RF16 RF Adaptor** (optional, page 80). Tune TV to **CH 3** or **4** to match RF Adaptor 3/4 switch. Set Adaptor's **TV/VCR** switch to **VCR** for playback.

To watch TV only, turn TV on without **AUDIO/VIDEO IN** Jacks connected (left).

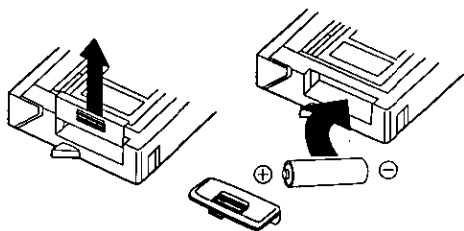
- a Set Camcorder **POWER** to **OFF**.
- b Set RF Adaptor **VCR/TV** Selector to **TV**.
- c Turn **TV ON** and select channel.

CATV System Installer

This reminder is provided to call the CATV system installer's attention to Article 820-40 of the NEC in USA (and to the Canadian Electrical Code in Canada) that provides guidelines for proper grounding and, in particular, specifies that the cable ground shall be connected to the grounding system of the building, as close to the point of cable entry as practical.

Playing Back Recordings in a VCR

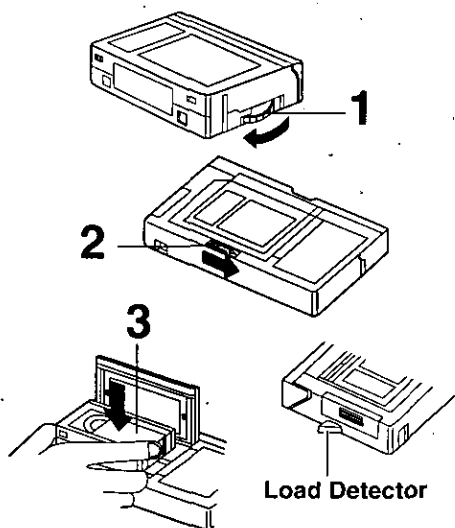
Load Battery in PlayPak



Remove Battery lid and insert AA battery.

- Do not reverse polarity.
- Replace battery when tape loading/unloading takes longer than usual.

Insert VHS Cassette in PlayPak

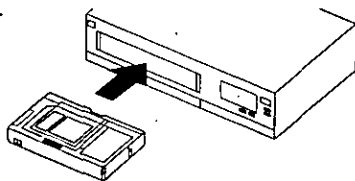


1 Turn **VHS** cassette **Tape Wheel** in direction of arrow to take up any slack.

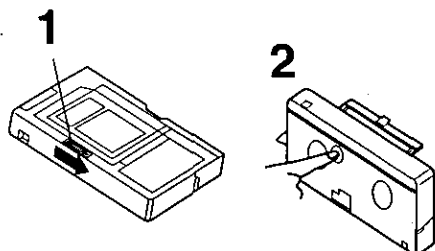
2 Slide **RELEASE** to open cassette lid.

3 Insert the **VHS** cassette with the window up and on the left, then snap lid shut.

- Do not obstruct cassette reel while loading.
- Allow PlayPak Load Detector to fully retract before using in VHS VCR.



Remove VHS Cassette

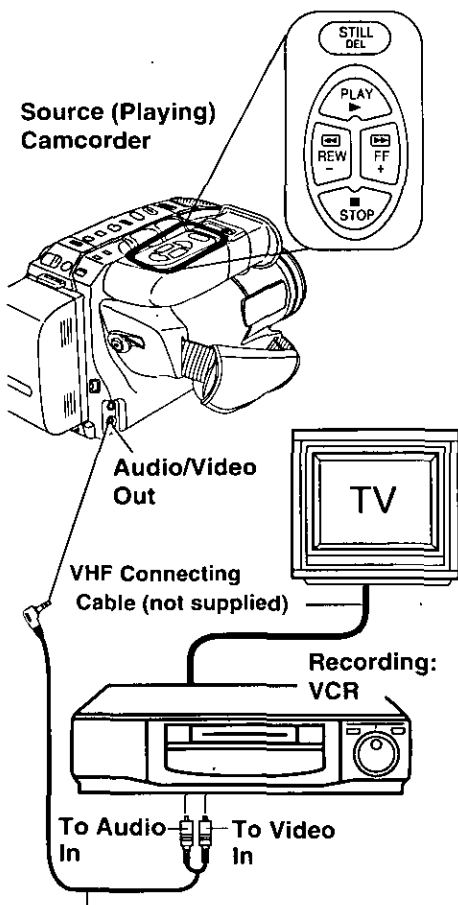


1 Slide **RELEASE** and wait for lid to open.

2 Push cassette out through hole in bottom of PlayPak with your finger.

Copying your Tapes (dubbing)

Connections



Audio/Video Cable (supplied)

Monitor with your TV

- Turn TV on and tune to VCR channel (CH3 or CH4).
- Set VCR/TV Selector on VCR to VCR.

Before you begin...

- Make Camcorder-VCR connections (see left).
- Turn both units on.
- Set VCR input signal to LINE. Please see VCR owner's manual.
- Set Camcorder POWER to VCR.

- 1 Insert a pre-recorded tape into Camcorder and a blank tape with record tab into VCR.
- 2 Press PLAY on Camcorder, then press STILL at starting point.
- 3 Press REC, then STILL/PAUSE on VCR.
- 4 Press STILL on Camcorder and STILL/PAUSE on VCR again to start copying.
- 5 Press STOP on both units to stop copying.

Note:

- Camcorder will only playback tapes recorded in SP or SLP mode.
- Dubbing may reduce picture quality.

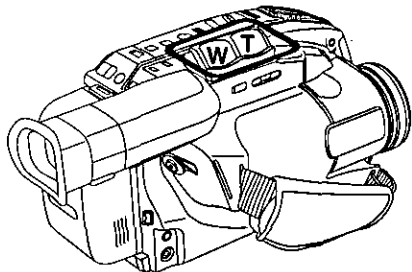
CAUTION:

Unauthorized exchanging and/or copying of copyrighted recordings may be copyright infringement.

Power Zoom / Backlight

Four-Speed Power Zoom

Zoom in (close up) and out (wide angle) in one of four speeds ranging from slow (16 sec.) to fast (2 sec.).



Before you begin...

- Connect Camcorder to power source.
- Set POWER to CAMERA.

Zoom In ("T")



Zoom Out ("W")

Zoom slowly:

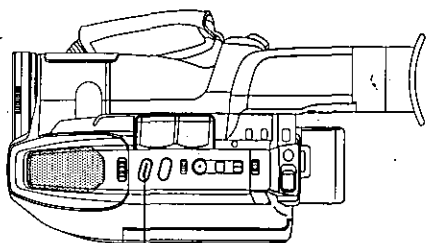
Lightly press "T" (telephoto) or "W" (wide angle) POWER ZOOM button.

Zoom quickly:

Apply more pressure to the button.

Backlight

Use when subject is darker than surroundings, in shadowed area, or in front of the light source.



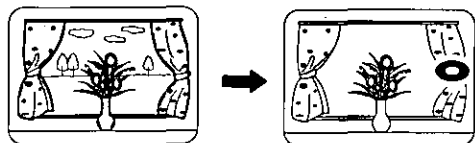
BACKLIGHT

Before you begin...

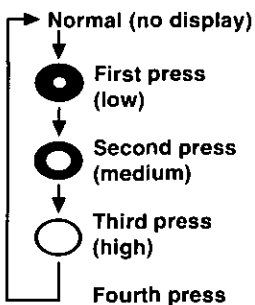
- Connect Camcorder to power source.
- Set POWER to CAMERA.

Press **BACKLIGHT** while recording to select the level of backlight compensation.

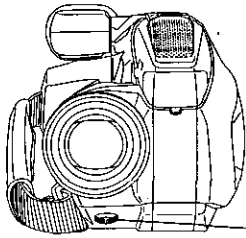
In normal lighting, press **BACKLIGHT** repeatedly until no indicator displayed.



EVF Indications



Auto Focus

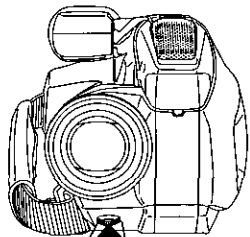


MANUAL FOCUS

Manual Focus

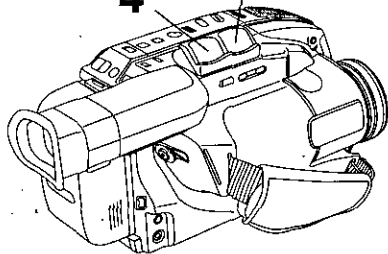
Use Manual Focus (MF) when :

- recording through glass.
- lighting is poor.
- subject is far away with objects in foreground.
- subject has distinct horizontal lines.



4

2



Before you begin...

- Connect Camcorder to power source.
- Set POWER to CAMERA.

Camcorder automatically focuses on subject even during zooming.

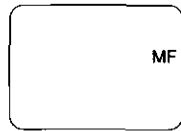
Auto Focus is on when "MF" is not displayed in EVF. Push **MANUAL FOCUS** to remove "MF" in EVF if necessary.

- subject is not centered in Viewfinder.
- subject has shiny surface.
- subject is slanted.
- subject is bright and flat, like a white wall.
- subject has fast motion, like a golf swing.

1

Push **MANUAL FOCUS** so "MF" (Manual Focus) appears in EVF.

EVF Indication



2

Hold down "T" (telephoto) on POWER ZOOM to maximum zoom in.

3

Turn **MANUAL FOCUS** until subject is in focus.

- Back away from subject if necessary.

4

Hold down "W" (wide angle) on POWER ZOOM as desired.

- Refocus as needed when aiming at new scenes.

Macro Focus (close-ups)

Auto Focus functions up to 1/2 inch (12.7mm) from subject.

Hold down "W" on POWER ZOOM to maximum wide angle.

Bring Camcorder up close to the subject.

High Speed Shutter

Improves Still or Slow Motion playback picture of high speed subjects (e.g. a tennis stroke), when viewed on Camcorder or 3 or 4 head VCR.

Before you begin...

- Connect Camcorder to power source.
- Set POWER to CAMERA.
- Insert cassette with record tab (page 15).

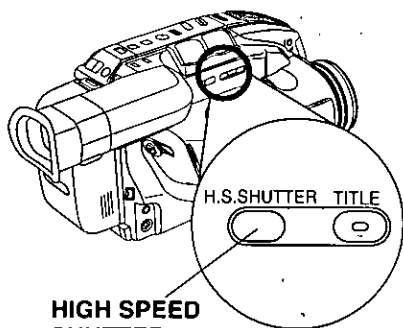
Auto Shutter

In AUTO mode (no indication in EVF), shutter speed is auto-adjusted from 1/60 to 1/350 according to subject brightness.

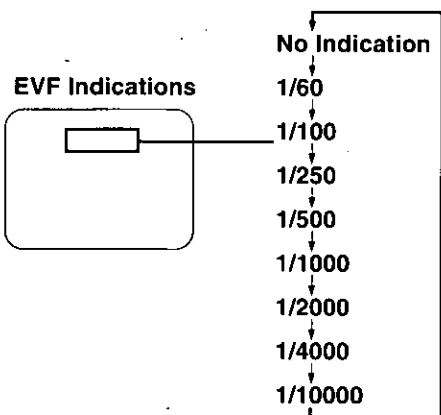
- AUTO mode is selected each time POWER is set to CAMERA.

Manual Selection

The faster the shutter speed, the more light is needed for proper picture and color quality. High Speed Shutter indication flashes if light is inadequate. Provide additional light.



- 1 Press **HIGH SPEED SHUTTER** while recording.
- 2 Press repeatedly to change shutter speed. (See below, left.)



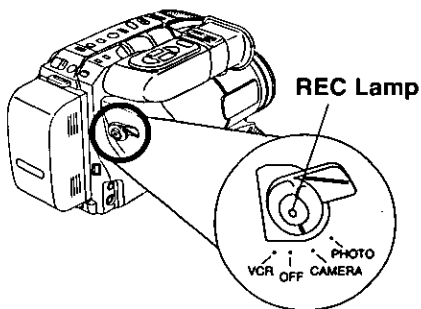
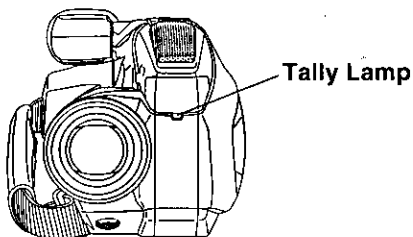
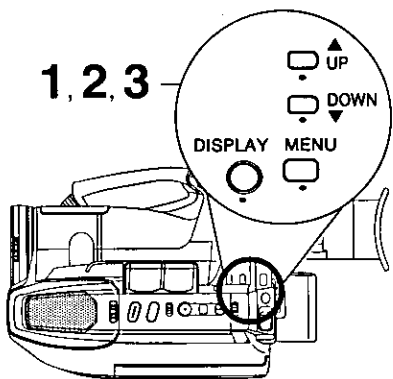
Note:

- Provide additional halogen or tungsten light for use indoors or in poor light. Fluorescent light degrades picture.
- Auto Focus may not function properly if high speed shutter is used in inadequate light.
- Setting reverts to AUTO each time POWER is set to CAMERA.

Tally Lamp

Tally Lamp

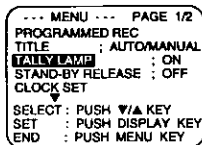
The tally lamp can be set to come on or stay off during recording.
New camcorder's default setting is ON.



Before you begin...

- Connect Camcorder to power source.
- Set POWER to CAMERA.
- Insert cassette with record tab (page 15).

- 1 Press **MENU** for MENU mode.
Press **UP ▲** or **DOWN ▼** to select **TALLY LAMP**.

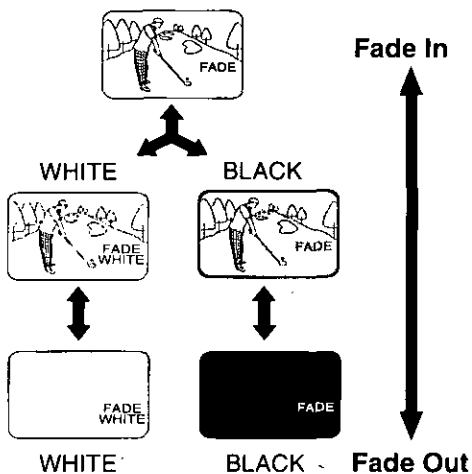
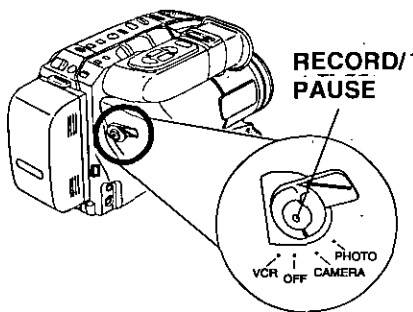
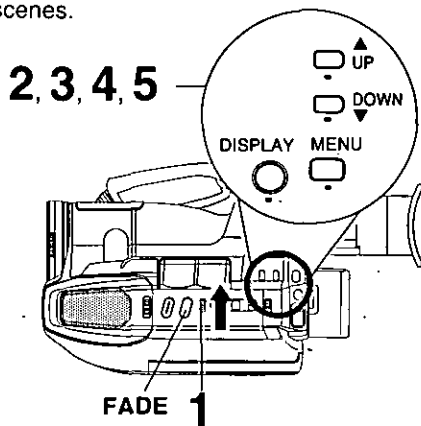


- 2 Press **DISPLAY** to select:
ON → Tally lamp lights during recording.
OFF → Tally lamp and REC lamp stay off.

- 3 Press **MENU** to exit.

Auto Fade

An interesting way to open and close scenes.

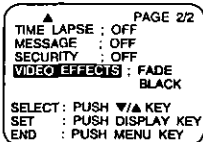


Before you begin...

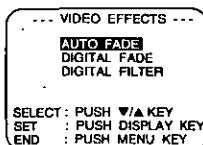
- Connect Camcorder to power source.
- Set POWER to CAMERA.

1 Slide DIGITAL SELECT to FADE.

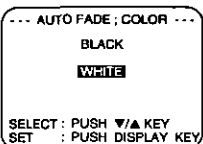
2 Press MENU for MENU mode.
Press UP ▲ or DOWN ▼ to select **VIDEO EFFECTS**.



3 Press DISPLAY for VIDEO EFFECTS menu.
Press UP ▲ or DOWN ▼ to select **AUTO FADE**.



4 Press DISPLAY for AUTO FADE ; COLOR menu.
Press UP ▲ or DOWN ▼ to select BLACK or WHITE.



5 Press DISPLAY to confirm entry.
Press MENU to exit.

Fade In:

In RECORD/PAUSE mode, press FADE so "FADE" flashes in EVF.
Press RECORD/PAUSE.
Recording starts as picture and sound gradually fade in.

Fade Out:

While recording, press FADE so "FADE" flashes in EVF.
Press RECORD/PAUSE.
Picture and sound gradually fade out, and recording is paused.

If FADE is pressed accidentally, press again so "FADE" disappears in EVF.

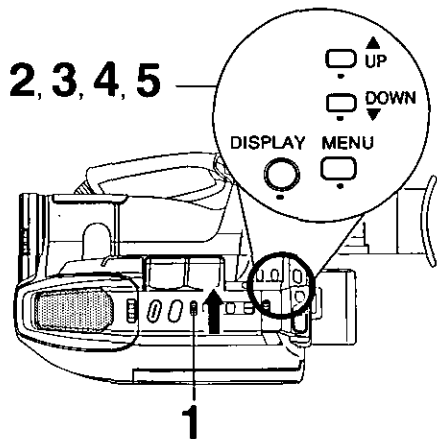
Note:

- Auto Fade will not function during Digital Wipe mode or Picture in Picture Wipe Title.

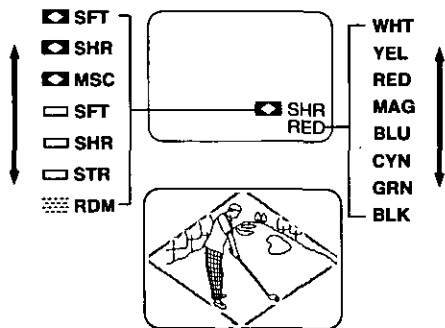
Fade

Color Digital Fade

Choose from 7 fade effects in 8 different colors.



Indications

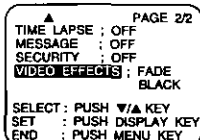


Before you begin...

- Connect Camcorder to power source.
- Set POWER to CAMERA.

1 Slide **DIGITAL SELECT** to **FADE**.

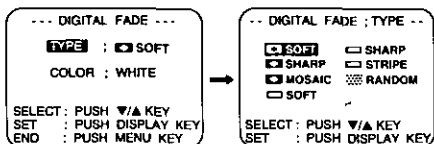
2 Press **MENU** for MENU mode. Press **UP ▲** or **DOWN ▼** to select **VIDEO EFFECTS**.



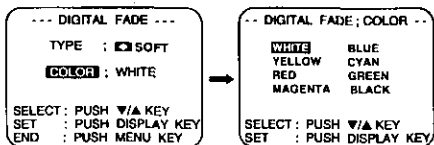
3 Press **DISPLAY** for VIDEO EFFECTS menu. Press **DOWN ▼** to select **DIGITAL FADE**.

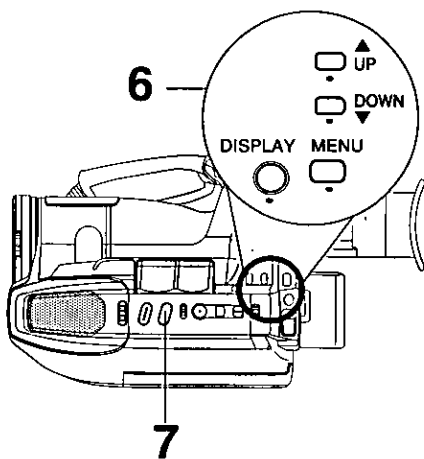


4 Press **DISPLAY** for DIGITAL FADE menu. Press **UP ▲** or **DOWN ▼** to select **TYPE**. Press **DISPLAY** for TYPE menu. Press **UP ▲** or **DOWN ▼** to select from 7 types.



5 Press **DISPLAY** for DIGITAL FADE menu. Press **DOWN ▼** to select **COLOR**. Press **DISPLAY** for COLOR menu. Press **UP ▲** or **DOWN ▼** to select from 8 colors.





6 Press **DISPLAY** to confirm entry. Press **MENU** twice to exit.

7 Press **FADE** for about 2 seconds to fade out during recording (selected fade type flashes). Press **FADE** again to fade in.

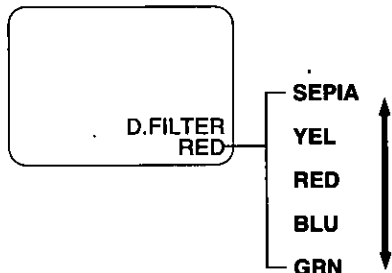
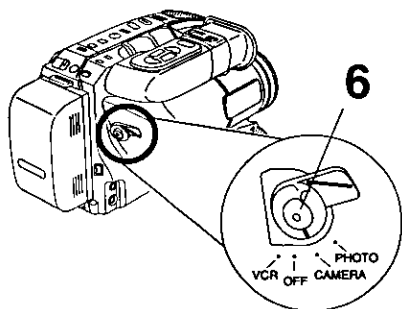
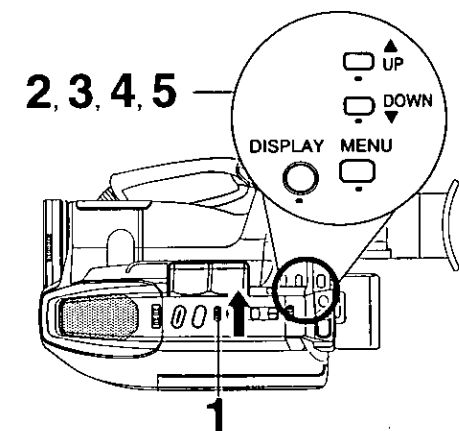
■ For more effects, stop fade in or fade out at any time (except **RANDOM** mode) by pressing **FADE**. Then, press **FADE** to resume fade.

Note:

- Audio is not affected by fade.
- To cancel Digital Fade, do steps 1, 2, 3, and 6. In step 3, select **AUTO FADE**.
- Color Digital Fade will not function during Digital Wipe mode or Picture in Picture Wipe Title.

Color Digital Filter

Digital Filter adds one of 5 colors to entire picture, like a color filter.



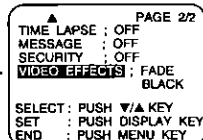
Before you begin...

- Connect Camcorder to power source.
- Set POWER to CAMERA.

1 Slide **DIGITAL SELECT** to **FADE**.

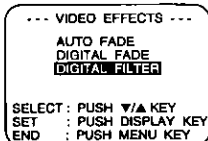
2 Press **MENU** for **MENU** mode.

Press **UP ▲** or **DOWN ▼** to select **VIDEO EFFECTS**.

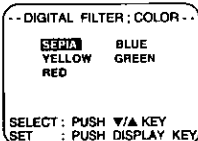


3 Press **DISPLAY** for **VIDEO EFFECTS** menu.

Press **DOWN ▼** to select **DIGITAL FILTER**.



4 Press **DISPLAY** for **DIGITAL FILTER** menu. Press **UP ▲** or **DOWN ▼** to select from 5 colors.



5 Press **DISPLAY** to confirm entry. Press **MENU** to exit.

6 Start recording (page 23).

- To cancel Digital Filter, set **POWER** to **OFF**.

Note:

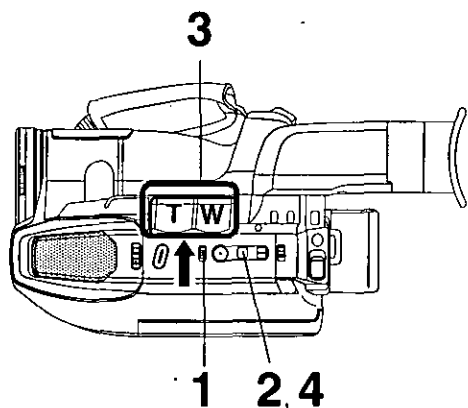
- Color Digital Filter will not function during Digital Wipe mode, Picture in Picture Wipe Title or Still/Strobe/Wide.
- Picture returns to normal in Still mode.

Digital Zoom

Power Zoom magnification is digitally increased.

Before you begin...

- Connect Camcorder to power source.
- Set POWER to CAMERA.



1 Slide DIGITAL SELECT to D.ZOOM.

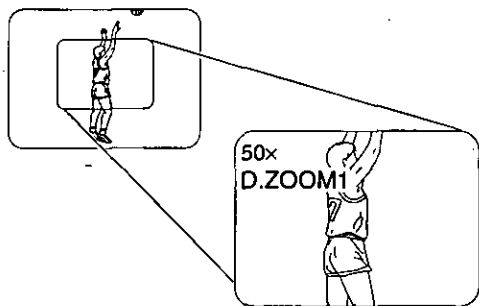
2 Press D. ZOOM.
once → D.ZOOM 1 (150x maximum)
twice → D.ZOOM 2 (300x maximum)

Higher digital magnification levels may cause picture distortion.

3 Hold down "T" on POWER ZOOM.
Digital Zoom starts when normal zoom reaches maximum (26x).

- Zoom level appears in EVF.
- POWER ZOOM switch controls digital zoom level.
- Normal zoom resumes when level falls to 26x.

4 Press D. ZOOM to turn off Digital Zoom so no indication appears.



Special Features

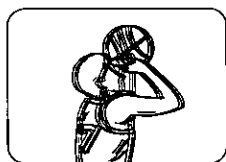
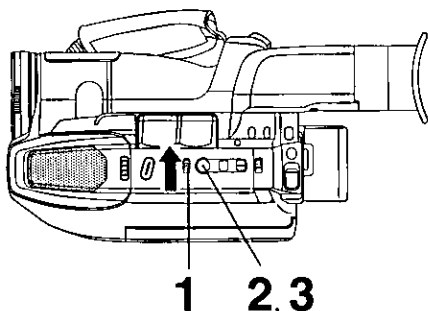
Note:

- If "NOW IN DIGITAL WIPE" is displayed when D. ZOOM is pressed, DIGITAL SELECT is currently in DIGITAL WIPE mode and the DIGITAL ZOOM feature is not available.

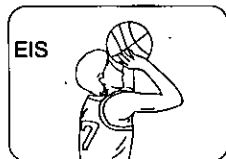
Digital E.I.S.

Digital Electronic Image Stabilization (E.I.S.)

Helps stabilize picture when recording in unstable situations.



NORMAL



Digital EIS ON

Before you begin...

- Connect Camcorder to power source.
- Set POWER to CAMERA.

1 Slide **DIGITAL SELECT** to **EIS**.

2 Press **EIS** to display "EIS" in the EVF.

- The shutter speed auto-adjusts from 1/80 to 1/350 according to brightness.
- Use High Speed Shutter (page 37) if needed. Shutter speed setting remains after EIS is canceled.

3 Press **EIS** again to cancel when not in use.

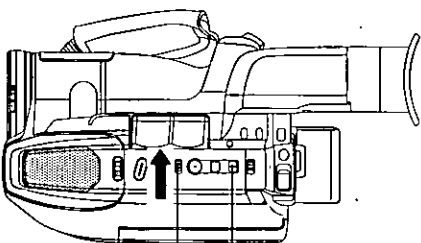
E.I.S. may not function during...

- extreme Camcorder movement.
- recording of subject with distinct horizontal or vertical stripes.
- low light situations (EIS indicator flashes).
- intense fluorescent lighting situations.
- recording of very fast motion.

Note:

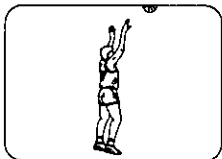
- If "NOW IN DIGITAL WIPE" is displayed when EIS is pressed, DIGITAL SELECT is currently in DIGITAL WIPE mode and the Digital E.I.S. feature is not available.

Still/ Strobe/ Wide

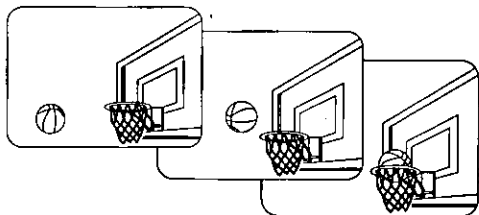


1 2

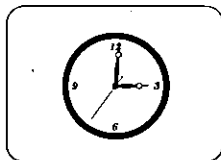
Still



Strobe

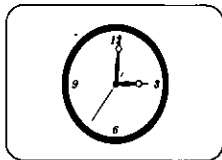


Wide Screen



Normal

EVF



Wide

Before you begin...

- Connect Camcorder to power source.
- Set POWER to CAMERA.

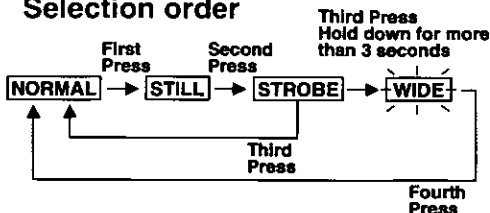
1

Slide **DIGITAL SELECT** to **STILL/STROBE**.

2

Press **STILL/STROBE** repeatedly for desired function as described below.

Selection order



STILL

Records a still image from the current picture.

STROBE

Records a progression of still images in 1/6 of a sec. intervals.

WIDE SCREEN

Records a picture that will fill entire screen of a wide screen (16x9 aspect ratio) TV.

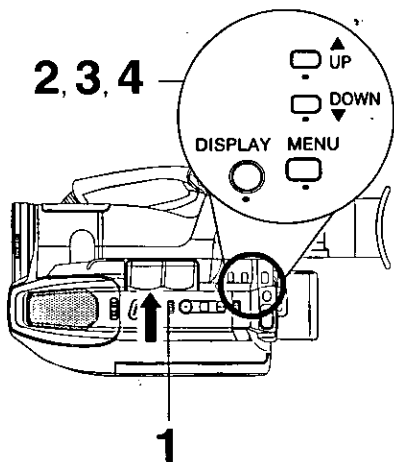
- Picture appears distorted in EVF.

Note:

- If "NOW IN DIGITAL WIPE" is displayed when STILL/STROBE is pressed, DIGITAL SELECT is currently in DIGITAL WIPE mode and the STILL/STROBE/WIDE feature is not available.
- Wide screen recordings must be played back on a wide screen TV (16x9 aspect ratio) or picture will be distorted.
- If title is added (pages 50~52) during Wide mode, it will be distorted when played back on a wide screen TV.

Security Mode

Motion Security



Motion Security may mistakenly start when:

- background is plain, like a white wall, or has distinct vertical, horizontal or slanted stripes, like a venetian blind.
- brightness suddenly changes.

Motion Security may not start when:

- motion is very slow or fast.
- moving object is very small.
- motion occurs only in 1 corner of viewing area.
- in poor lighting (in this case, MOTION SECURITY flashes).
- background is plain, like a white wall, or has distinct horizontal or vertical stripes.

Note:

- Security recording starts if Camcorder is bumped or repositioned.
- This feature is not available during normal recording.
- While in Motion Security stand-by, the following functions are not available: Record/Pause, Stand-by mode, Digital E.I.S., Time Lapse, Message, Auto Fade, Digital Fade, Digital Filter.

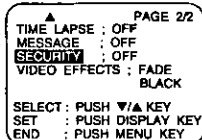
Before you begin...

- Connect Camcorder to power source. Use AC Adaptor for longer recordings.
- Insert cassette with record tab (page 15).
- Set POWER to CAMERA.
- Securely position and aim Camcorder.

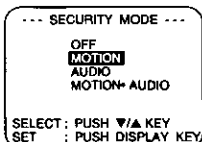
1 Slide DIGITAL SELECT to EIS.

2 Press MENU for MENU mode.

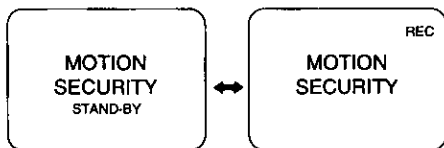
Press UP ▲ or DOWN ▼ to select **SECURITY**.



3 Press DISPLAY for SECURITY MODE menu. Press UP ▲ or DOWN ▼ to select **MOTION**. Press DISPLAY to confirm entry.



4 Press MENU for Motion Security stand-by mode. (If cassette is not inserted, "SEC" will flash.)



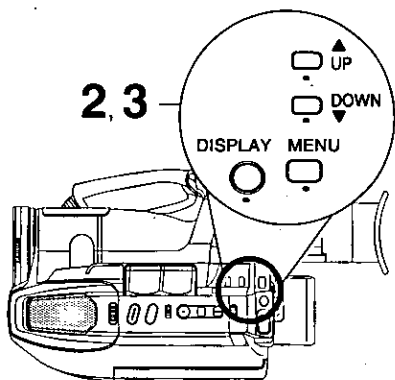
- Recording will start about 3 seconds after motion is detected.
- Date and time are recorded if displayed in EVF (page 21).
- Recording stops 30 seconds after motion ceases.

To cancel Security Mode, set POWER to OFF.

Security Mode

Audio Security

Choose HIGH or LOW Audio sensitivity for Audio or Motion•Audio Security.



Audio Security may start when:

- mic picks up any wind noise.

Audio Security recording may not start when:

- sound is too brief.

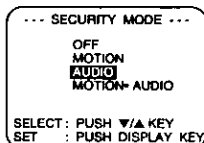
Note:

- Audio Security may mistakenly start when normal noises are picked up. To avoid this, place in quiet area.
- Camcorder location should be considered when adjusting Audio sensitivity.
- Performance may vary due to spaciousness of area, noise reflection, and resonance.
- Do a test to confirm performance.
- While in Audio Security stand-by, the following functions are not available: Record/Pause, Stand-by mode, Digital E.I.S., Time Lapse, Message, Auto Fade, Digital Fade, Digital Filter.

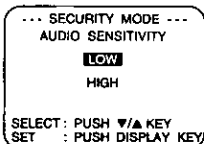
Before you begin...

- Connect Camcorder to power source. Use AC Adaptor for longer recordings.
- Insert cassette with record tab (page 15).
- Set POWER to CAMERA.
- Securely position and aim Camcorder.

- 1** Make sure that SECURITY, in the Menu mode, is set to AUDIO or MOTION•AUDIO in page 46 steps 1~3.



- 2** Press **DISPLAY** for AUDIO SENSITIVITY menu. Press **UP ▲** or **DOWN ▼** to select **HIGH** or **LOW**.



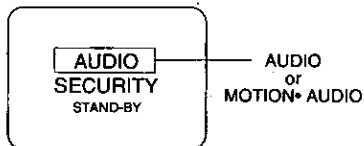
HIGH

Picks up normal voices up to about 32.8 feet (10m) away.

LOW

Picks up normal voices up to about 3.2 feet (1m) away.

- 3** Press **DISPLAY** to confirm entry. Press **MENU** for Audio Security stand-by mode or Motion•Audio Security stand-by mode. (If cassette is not inserted, "⏏" will flash.)

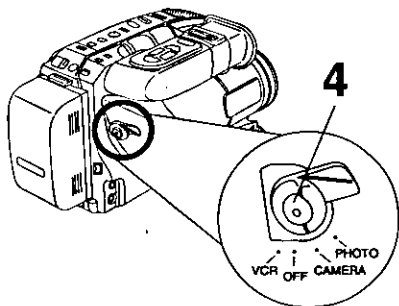
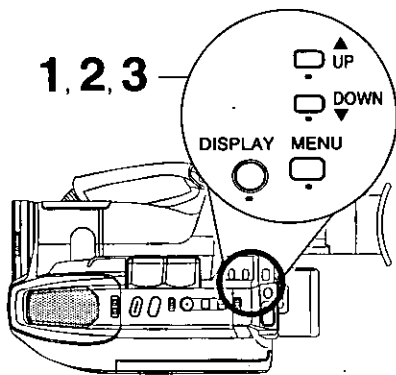


- Recording will start about 3 seconds after motion and/or audio is detected.
- Date and time are recorded if displayed in EVF (page 21).
- Recording stops 30 seconds after motion and/or audio ceases.

To cancel Security Mode, set POWER to OFF.

Time Lapse

This feature reduces tape speed to 1/3 SLP for long term period recording (up to 6 hours with TC-40 tape).



In Time Lapse mode...

- Picture quality is degraded.
- Video noise may occur during playback.
- SP/SLP, titles, and 10-Second Reminder will not be displayed.
- Interval REC is not available.
- During playback, vertical jitter may occur depending on monitor used. It may also occur in the color-EVF.

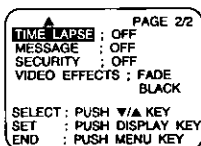
IMPORTANT:

- Time Lapse recording system is not part of VHS standard. Therefore, time lapse recordings should be played back on Camcorder only.
- Recordings other than time lapse may be played back on any **VHS** camcorder or **VHS** VCR.

Before you begin...

- Connect Camcorder to power source. Use AC Adaptor for longer recordings.
- Insert cassette with record tab (page 15).
- Set POWER to CAMERA.
- Slide TAPE SPEED to SLP.

- 1** Press **MENU** for MENU mode. Press **UP ▲** or **DOWN ▼** to select **TIME LAPSE**.

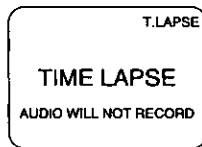


- 2** Press **DISPLAY** to select ON. **TIME LAPSE; ON**

Records at 1/3 SLP speed (up to 6 hours). Playback will be normal SLP speed. Sound is muted.

- 3** Press **MENU** to exit.

- 4** Start recording (page 23).



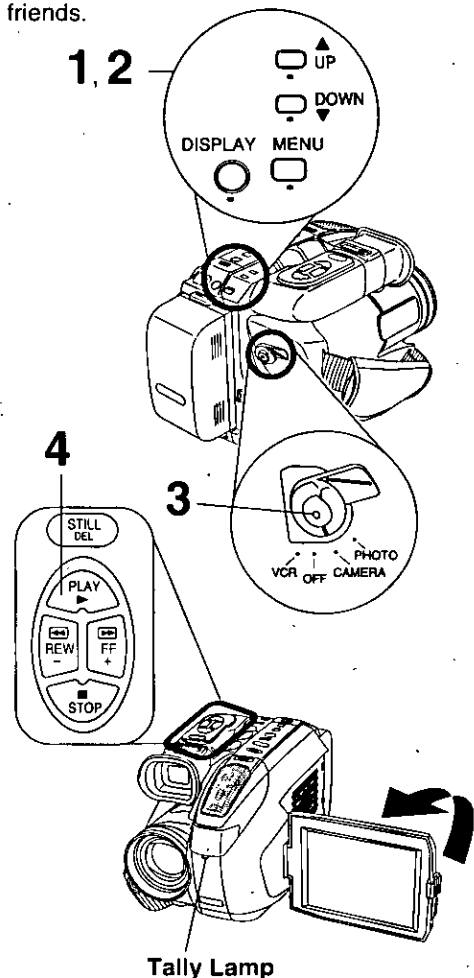
To cancel Time Lapse, select OFF in step 2 above.

Note:

- If Time Lapse mode is selected, the following functions are not available: Message, Security.

Message Mode

Leave audio/video messages for family or friends.



Before you begin...

- Connect Camcorder to power source. Use AC Adaptor for extended use.
- Insert cassette with record tab (page 15).
- Set POWER to CAMERA.

1 Press **MENU** for MENU mode.

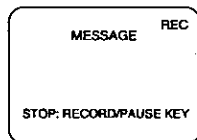
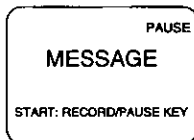
Press **UP ▲** or **DOWN ▼** to select **MESSAGE**. Press **DISPLAY** to select **ON**.

PAGE 2/2
▲ TIME LAPSE : OFF
MESSAGE : ON
SECURITY : OFF
VIDEO EFFECTS : FADE
BLACK
SELECT : PUSH ▼/▲ KEY
SET : PUSH DISPLAY KEY
END : PUSH MENU KEY

2 Press **MENU** for Message Stand-by Mode. (If cassette is not inserted, "CAM" will flash.) Flip LCD in direction of lens.

3 Press **RECORD/ PAUSE** to start recording your message.

- Tally lamp flashes and a display alerts recipient.
- Press **RECORD/ PAUSE** to end.



- For convenience, use remote control REC/PAUSE button.
- Camcorder auto-rewinds to the message start, then goes into Stand-by mode.

Note:

- One message limit.
- If tape is ejected or battery (if used) is depleted while in Stand-by mode, the message mode is canceled. To playback message (tape is inserted and/or new power source is attached), set POWER to VCR and press PLAY.
- Title cannot be displayed in Message mode.
- If Message mode is selected, the following functions are not available: Time Lapse, Security.

4 Press **PLAY** to playback message.

- LCD can be in any position for playback.
- To cancel feature, set POWER to OFF.



Special Features

Intelligent Titler

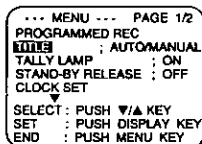
Automatic Title

Camcorder auto-displays title greeting on selected holidays when power is first turned on. See title list on page 51.

Before you begin...

- Connect Camcorder to power source.
- Set **POWER** to **CAMERA**.
- Insert cassette with record tab (page 15).

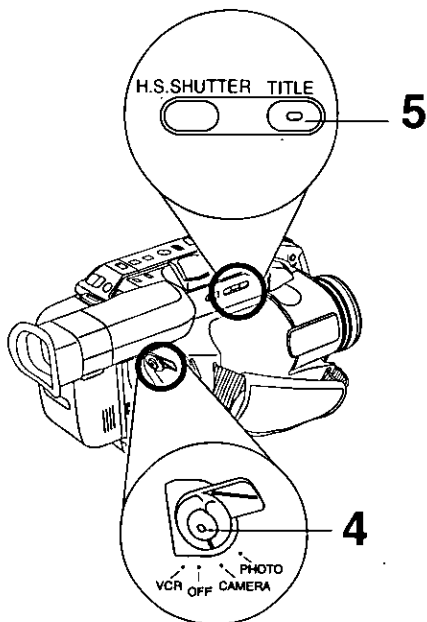
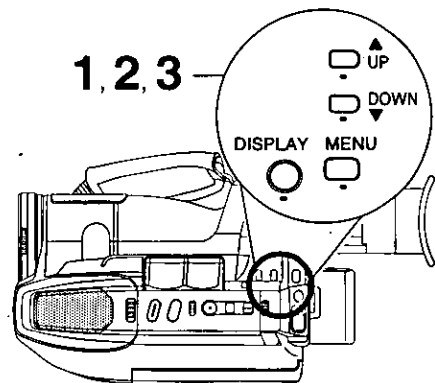
- 1** Press **MENU** for **MENU** mode. Press **UP ▲** or **DOWN ▼** to select **TITLE**.



- 2** Press **DISPLAY** to select **AUTO/MANUAL**.
- 3** Press **MENU** to exit.
- 4** To record the title, press **RECORD/PAUSE**.
- 5** Press **TITLE** to remove title during recording.

Note:

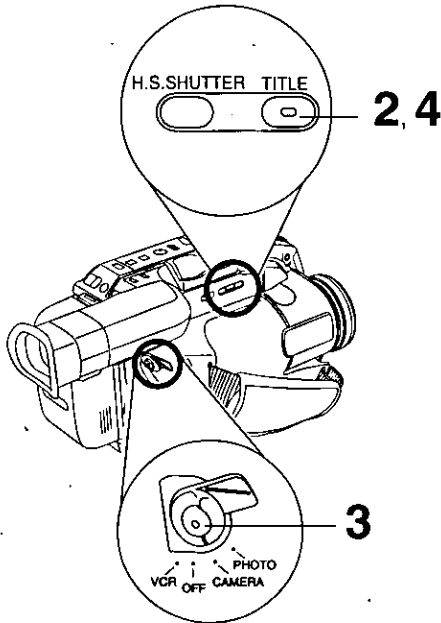
- Once removed, title will not be auto-displayed. To redisplay, or select from other titles use Manual Title (page 51).



Automatic/Manual Title Display List

Dec. 31–Jan. 1	HAPPY NEW YEAR! / CHEERS!
Feb. 14	VALENTINE'S DAY / BE MY VALENTINE
2nd Sunday in May	HAPPY MOTHER'S DAY / WE LOVE YOU!
Last Monday in May	MEMORIAL DAY
3rd Sunday in Jun.	HAPPY FATHER'S DAY / WE LOVE YOU!
Jul. 4	INDEPENDENCE DAY
1st Monday in Sep.	LABOR DAY
Oct. 31	HAPPY HALLOWEEN
4th Thursday in Nov.	HAPPY THANKSGIVING
Dec. 24–25	MERRY CHRISTMAS / HO! HO! HO!
These Titles must be displayed manually.	HAPPY EASTER HAPPY ANNIVERSARY HAPPY BIRTHDAY VACATION WEDDING DAY A SPECIAL DAY

Manual Title



Before you begin...

- Connect Camcorder to power source.
- Set **POWER** to **CAMERA**.
- Insert cassette with record tab (page 15).

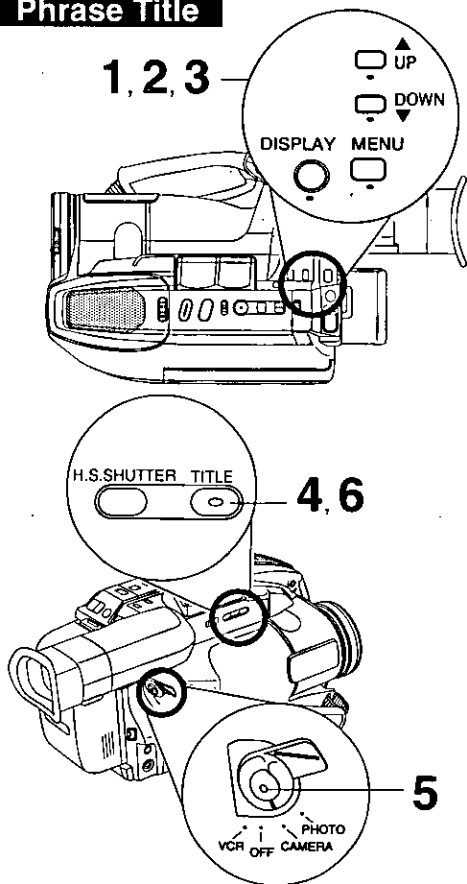
- 1** Confirm that **TITLE: AUTO/MANUAL** is set in Menu mode (steps 1~3, page 50).
- 2** In Pause (Record mode), press **TITLE** repeatedly to display titles from list above.
- 3** To record the title, Press **RECORD/ PAUSE**.
- 4** Press **TITLE** while recording to remove title.

Note:

- To redisplay title, press **TITLE** in Pause (Record mode):

Intelligent Titler

Phrase Title



(no indication)

BEAUTIFUL

BRAVO!

CHEERS!

CONGRATULATIONS

GIMME A BREAK!

GOOD LUCK

I LOVE YOU

OOPS!

OUR LITTLE ANGEL

WAY TO GO

Before you begin...

- Connect Camcorder to power source.
- Set POWER to CAMERA.
- Insert cassette with record tab (page 15).

- 1 Press **MENU** for MENU mode. Press **UP ▲** or **DOWN ▼** to select **TITLE**.

```
--- MENU --- PAGE 1/2
PROGRAMMED REC
TITLE : PHRASE
TALLY LAMP : ON
STAND-BY RELEASE : OFF
CLOCK SET
↓
SELECT : PUSH ▼/▲ KEY
SET : PUSH DISPLAY KEY
END : PUSH MENU KEY
```

- 2 Press **DISPLAY** to select PHRASE.

- 3 Press **MENU** to exit.

- 4 In Pause (Record mode), press **TITLE** repeatedly to display phrases from list below, left.

- 5 To record the phrases, Press **RECORD/PAUSE**.

- 6 Press **TITLE** while recording to remove phrase.

Note:

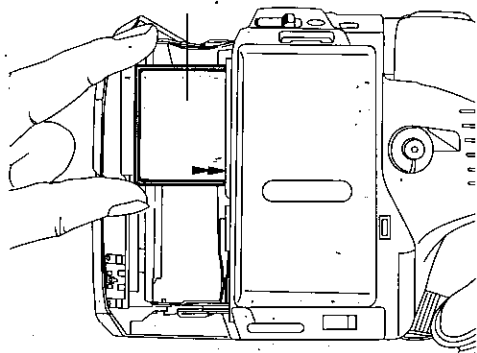
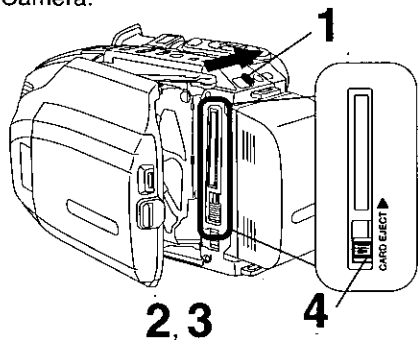
- To redisplay phrase, press TITLE in Pause (Record mode).

Digital Still Camera

CompactFlash Card Insertion/ Removal

The captured images will be stored on this CompactFlash Card.

Be sure to insert the CompactFlash Card before using the Built-in Digital Still Camera.



Before you begin...

- Connect Camcorder to power source.
- Set POWER to OFF.

1

Slide TAPE EJECT to open door.

2

Insert the **CompactFlash Card** into the CompactFlash Card Slot in the direction of the arrow. The side of the card with the arrow faces the back (battery side) of the camcorder (see the picture at the left).

3

Push the card fully into the Slot.

4

Slide CARD EJECT, to release the card.

Note:

- If CompactFlash Card is not inserted, "NO CF CARD" appears on-screen.
- Do not insert card in wrong direction.
- If card does not eject after sliding CARD EJECT, push card fully back into slot, then firmly slide the CARD EJECT again.
- To avoid dropping the card, do not slide CARD EJECT when the card slot is facing downward.
- If "CF CARD ERROR" appears on-screen, see page 84.

■ Concerning the CompactFlash Card

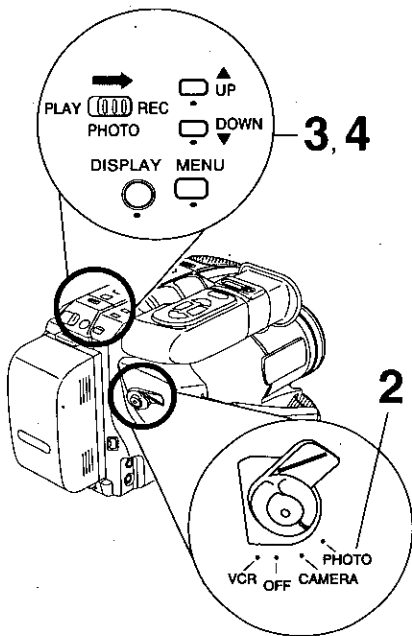
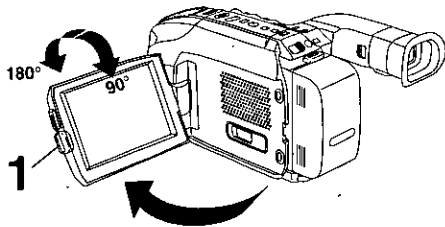
- Except for some special features, this card is compatible with other Panasonic brand products, like Digital Camera (PV-DC1080, PV-DC1580), LCD Projector (PT-L556U).
- Panasonic only guarantees compatibility with Panasonic brand cards and those bearing the SanDisk logo.
- This Camcorder can capture a maximum of 400 still images. A larger CF card (optional) is required to capture 400 images.

CAUTION:

- Do not bend, drop, apply high pressure or subject the card to strong shocks.
- Do not store it in places with high temperature, high humidity, a lot of dust, or places exposed to direct sunlight, or static electricity and strong electromagnetic waves.
- Keep the card's contacts free from dust, water or other foreign substances. Do not touch them with your fingers, etc.
- Do not disassemble or deform the card.
- Be sure to make a backup copy of important data.
- Do not affix other labels to the CompactFlash Card face or back as Card insertion/removal may become impossible.

Digital Still Camera

Recording



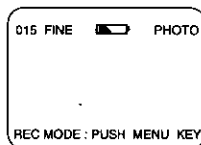
Before you begin...

- Connect Camcorder to power source.
- Insert the CompactFlash Card (page 53).

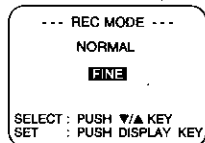
1 Press **LCD-OPEN** and swing LCD monitor fully open. Adjust viewing angle.

2 Set **POWER** to **PHOTO**.
Built-in Lens Cover opens and POWER Lamp lights.
• Be sure POWER is fully rotated to PHOTO position.

3 Slide **PHOTO MODE** to **REC**.



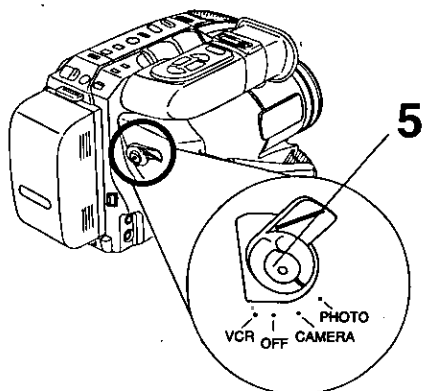
4 Press **MENU** for REC Mode.
Press **UP ▲** or **DOWN ▼** to select **NORMAL** or **FINE** (page 74). Then, press **DISPLAY** to set.



Note:

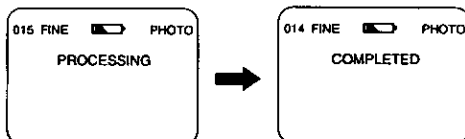
Please note that the included 2MB CompactFlash Card already contains 12 pre-recorded titles for your use. Please see page 62 for further details.

Digital Still Camera



5 Press **RECORD** to capture image.

- As the image is processed, the status screens below appear. The next image may be captured after "COMPLETED" disappears.
- Depending on the image taken, the image page remaining indication may not change, or it may be decreased by 2 images.



- For sharper images, set electronic shutter to higher speed when shooting in bright conditions, such as outdoors.

Note:

- If CompactFlash Card is not inserted, "NO CF CARD" appears on-screen. Set POWER to OFF, then insert the CompactFlash Card.
- If "CF CARD ERROR" appears on-screen, see page 84.
- Sound will not be recorded.
- The features below are not available while in PHOTO mode.
 - Auto Fade
 - Digital Zoom
 - Security Mode
 - Intelligent Titrer
 - Digital Fade
 - Digital E.I.S.
 - Time Lapse
 - Digital Wipe Mode
 - Color Digital Filter
 - Still/Strobe/Wide
 - Message Mode
 - Picture in Picture Wipe Title

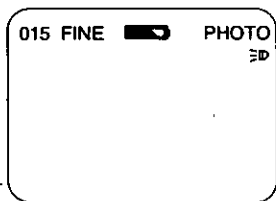
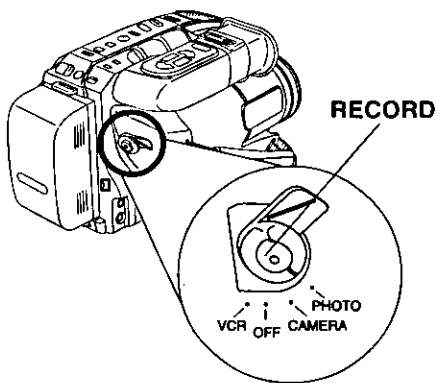
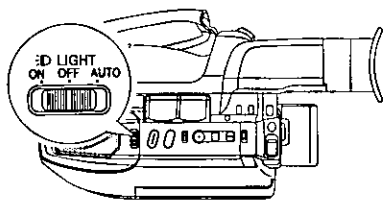
WARNING:

Do not, under any circumstances, remove the card immediately after pressing the RECORD/PAUSE (during recording of an image) or while deleting. This could damage the format of the card and make it unusable.

Digital Still Camera

Using the Light

For capture of still images in dim lighting.



Before you begin...

- Connect Camcorder to power source.
- Insert the CompactFlash Card (page 53).
- Set POWER to PHOTO.

Set LIGHT to AUTO.

When **RECORD** is pressed to capture an image in dim lighting, the Light comes on for about 2 seconds, the image is captured, then goes out.

Or, set LIGHT to ON/OFF manually.

≡D appears in EVF when Light is on.

Caution:

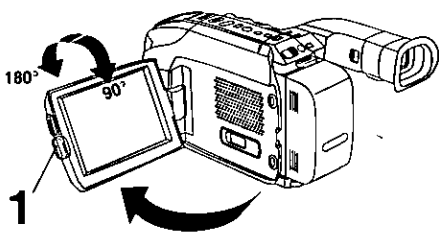
Light becomes hot. Never cover Light while on.

Note:

- Using Light reduces battery operating time.
- Provide proper ventilation when using Light extensively in a hot environment.
- Using Light when the Camcorder is powered by a car battery may shorten bulb life.
- Set Light to OFF when not in use.

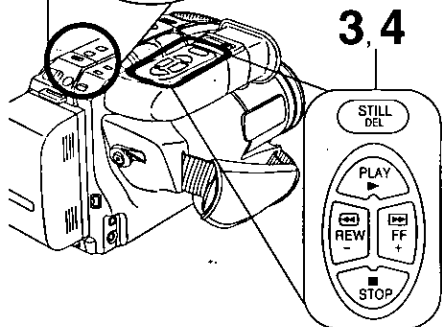
Digital Still Camera

Playback



2

PLAY  REC
PHOTO



Note:

- If CompactFlash Card is not inserted, "NO CF CARD" appears on-screen. Set Power to OFF, then insert the CompactFlash Card.
- Pictures captured with other brand products cannot be used with this Camcorder.
- If "INCOMPATIBLE IMAGE" appears on-screen, the size of the captured image cannot be played back on this Camcorder.
- Do not change POWER setting to CAMERA or change recording mode while "PLEASE WAIT" is displayed.
- If "CF CARD ERROR" appears on-screen, see page 84.

Before you begin...

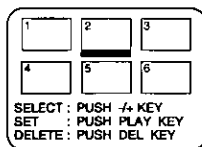
- Connect Camcorder to power source.
- Insert the CompactFlash Card (page 53).
- Set POWER to PHOTO.

1

Press **LCD-OPEN** and swing LCD monitor fully open. Adjust viewing angle.

2

Slide **PHOTO MODE** to **PLAY**. The Multi Image Playback screen appears. The last captured image screen is underlined.



- If there are no recordings on the card, "NO PICTURE" appears on-screen.
- In NORMAL or FINE mode, the color of the Multi Image page number is as follows:

NORMAL mode → green
FINE mode → white

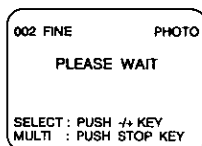
3

Press **+** (FF) → next.
Press **-** (REW) → previous.

- The selected image will be underlined in green.
- Continue pressing + (FF) or - (REW) for next or previous page.

4

Press **PLAY** to display image. This screen appears followed by image.



- Press DISPLAY to remove or redisplay this screen.
- Press STOP to redisplay Multi Image playback screen.

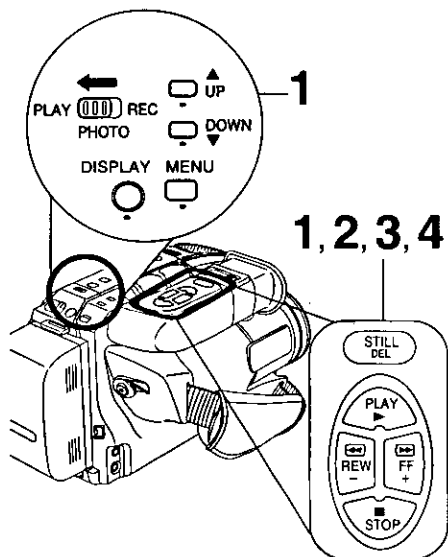
Digital Still Camera

Deleting Specific Image Pages

Delete older images to make room for new ones.

Important :

Once deleted, images cannot be restored.



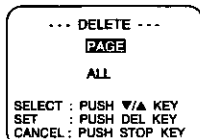
Before you begin...

- Connect Camcorder to power source.
- Insert the CompactFlash Card (page 53).
- Set POWER to PHOTO.
Slide PHOTO MODE to PLAY.

1

Press **DEL(STILL)** for DELETE menu. Press **UP ▲** or **DOWN ▼** to select **PAGE**.

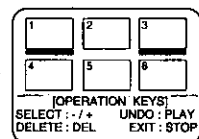
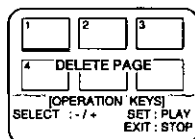
- To exit menu at any time, press STOP.



2

Press **DEL(STILL)** for Multi Image screen. Press **+ (FF)** or **- (REW)** to select image page. Press **PLAY** once to set. Or, press twice to undo.

- Press **+ (FF)** or **- (REW)** and **PLAY** repeatedly to select several pages at one time.
- The selected image will be underlined in green.
- You can delete images underlined in red.



Note:

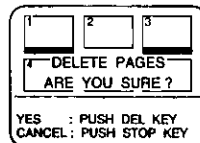
- Pictures captured with other brand products cannot be used with this Camcorder.
- If "CF CARD ERROR" appears on-screen, see page 84.

WARNING:

Do not, under any circumstances, remove the card immediately after pressing the RECORD/PAUSE (during recording of an image) or while deleting. This could damage the format of the card and make it unusable.

3

Press **DEL(STILL)**. This message appears.



4

Press **DEL(STILL)** to delete the page.

- As image pages are deleted, page numbers adjust automatically.

Digital Still Camera

Deleting All Image Pages

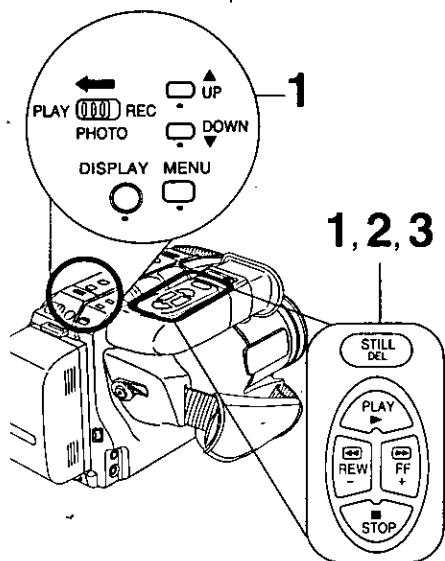
All image pages are deleted from memory.

Important:

Once deleted, images cannot be restored.

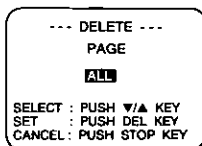
Before you begin...

- Connect Camcorder to power source.
- Insert the CompactFlash Card (page 53).
- Set POWER to PHOTO.
- Slide PHOTO MODE to PLAY.

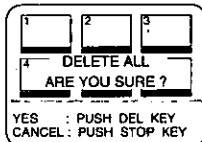


- 1** Press **DEL(STILL)** for DELETE menu. Press **UP ▲** or **DOWN ▼** to select **ALL**.

• To exit menu at any time, press **STOP**.



- 2** Press **DEL(STILL)**. This message appears.



- 3** Press **DEL(STILL)** to delete all pages.
- "NO PICTURE" appears on-screen after deletion.

Note:

- Pictures captured with other brand products cannot be used with this Camcorder.
- If "CF CARD ERROR" appears on-screen, see page 84.

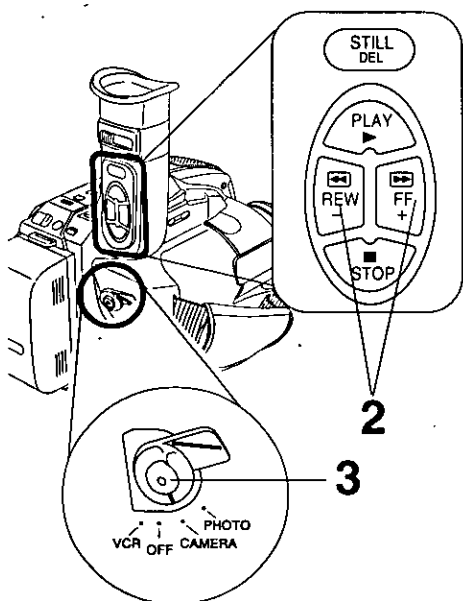
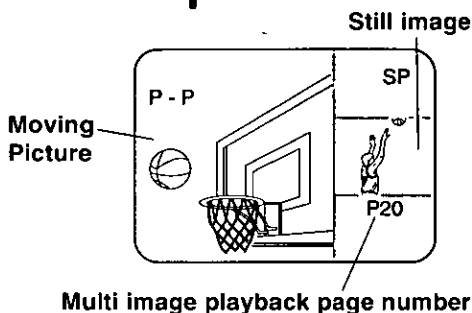
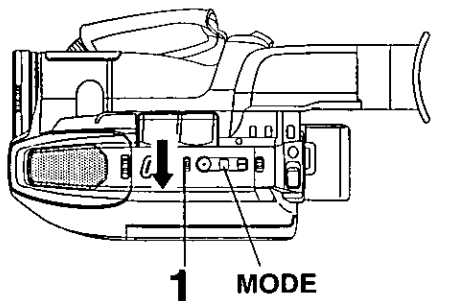
WARNING:

Do not, under any circumstances, remove the card immediately after pressing the RECORD/PAUSE (during recording of an image) or while deleting. This could damage the format of the card and make it unusable.

Digital Still Camera

Picture in Picture Wipe Title

Captured still images (page 54, 55) can be recorded along with the current picture.



Before you begin...

- Connect Camcorder to power source.
- Insert the CompactFlash Card (page 53).
- Set POWER to CAMERA.

(P - P = Picture in Picture)

1

Set **DIGITAL SELECT** to **DIGITAL WIPE**.

- A still image captured on the CF card and the Multi image playback page number is displayed on the right side of the screen.
- If there are no recordings on the card, "NO PICTURE" appears on-screen.

2

Press **+** (FF) or **-** (REW) to select still image to be used.

3

Start recording (page 23).

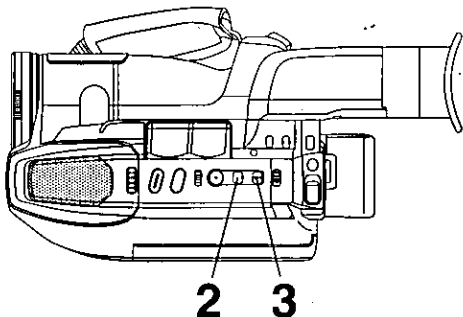
- When recording starts, Multi image playback number disappears. Then the capture still images can be recorded along with the current picture.
- To exit from the Picture in Picture Wipe title mode, **press MODE** (page 61).

Note:

- If CompactFlash Card is not inserted, "NO CF CARD" appears on-screen. Set Power to OFF, then insert the CompactFlash Card.
- Pictures captured with other brand products cannot be used with this Camcorder.
- If "INCOMPATIBLE IMAGE" appears on-screen, the size of the captured image cannot be played back on this Camcorder.
- If "CF CARD ERROR" appears on-screen, see page 84.
- If Picture in Picture Wipe Title selected, the following functions are not available: Security mode, Auto Fade, Digital Fade, Digital Filter, Digital Zoom, Digital E.I.S., Still/Strobe/Wide.

Digital Wipe Mode

Insert a Captured still image into the current recording, or vice versa, in one of three wipe effects.



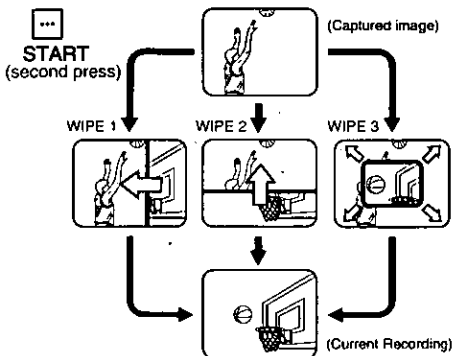
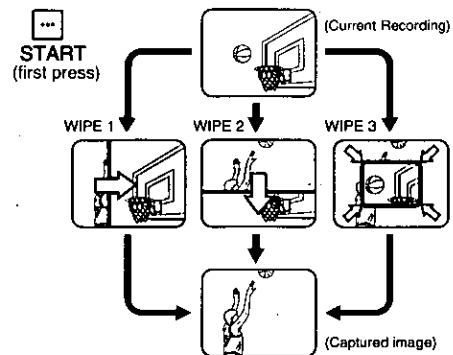
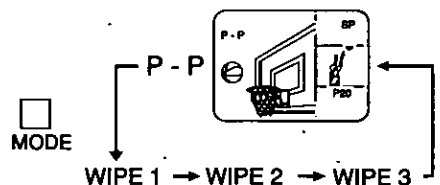
Before you begin...

- Connect Camcorder to power source.
- Insert the CompactFlash Card (page 53).
- Set POWER to CAMERA.

1 Repeat step 1 and 2 on page 60 to set Picture in Picture Wipe title.

2 Press **MODE** repeatedly for Wipe effect 1, 2, or 3 (See left).
 • WIPE 1 will flash for a while to store the image for the wipe.

3 Press **START**:
once → inserts captured image.
twice → inserts current recording picture.
 • You can freeze the wipe in progress by pressing START. Press START again to resume wipe.



Note:

- If CompactFlash Card is not inserted, "NO CF CARD" appears on-screen. Set Power to OFF, then insert the CompactFlash Card.
- Pictures captured with other brand products cannot be used with this Camcorder.
- If "INCOMPATIBLE IMAGE" appears on-screen, the size of the captured image cannot be played back on this Camcorder.
- If "CF CARD ERROR" appears on-screen, see page 84.
- If Digital Wipe mode is selected, the following functions are not available: Security mode, Auto Fade, Digital Fade, Digital Filter, Digital Zoom, Digital E.I.S., Still/Strobe/Wide.

Special Features

Digital Still Camera

PhotoShot Title Library

The included 2MB CompactFlash Card already contains 12 pre-recorded titles. You can insert any one of the 12 included pre-recorded titles into your current video recording by following the steps outlined below.

CAUTION:

If you delete the following pre-recorded titles, they will not be restored.

Before you begin...

- Connect Camcorder to power source.
- Insert the CompactFlash Card (page 53).
- Set POWER to CAMERA.

- 1 Set **DIGITAL SELECT** to **DIGITAL WIPE**.
- 2 Press **+** (**FF**) or **-** (**REW**) to select still image to be used. Please see page 60 for further details.
- 3 Start recording (page 23).



Panasonic



Anniversary



Happy Birthday



Bon Voyage



Congratulations



Graduation



It's a Girl!



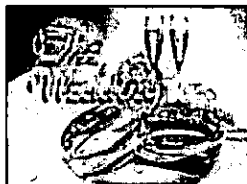
It's a Boy!



Our Wedding



Surprise!



The Wedding



Vacation!

Digital PhotoShot Software

A live or captured image can be transferred to your PC (Personal Computer).

System Requirements for Digital PhotoShot

- IBM PC/AT or compatible.
- Intel® Pentium® Processor
- Microsoft Windows®95 or Windows®98.
- RAM: 16 MB or more
- 2 MB of available hard-disk space.
- 256 color monitor (full color recommended).
- 3.5 inch 1.44 MB floppy disk drive (for installation).
- RS-232C serial port (D-Sub 9-pin).
An adaptor (D-Sub 9-pin male to a D-Sub female) is required for a D-Sub 25-pin.
- Mouse or other pointing device.

System Requirements for Adobe® PhotoDeluxe™ HE 3.0 (PV-L859 only)

- Intel® Pentium® Processor
- Microsoft Windows®95, Windows®98 or Windows NT®4.0.
- 32 MB of RAM for Windows 95 and Windows 98.
- 64 MB of RAM for Windows NT.
- 140 MB of available hard-disk space.
- Color monitor with thousands of colors.
- CD-ROM drive or DVD-ROM drive.

PC-Camcorder Connection

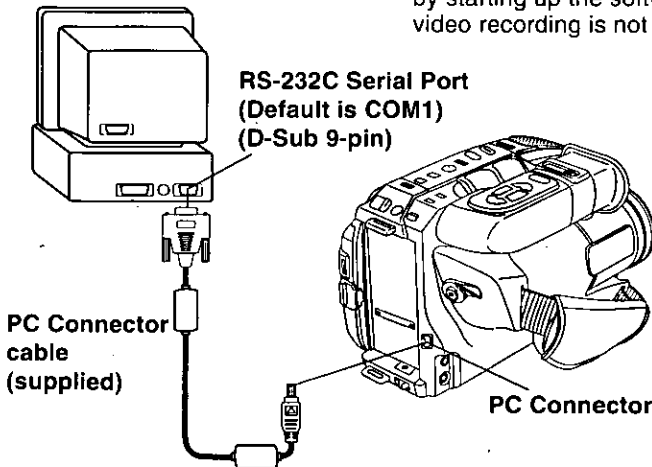
Connect Camcorder PC jack to the serial port on your PC (Personal Computer) using the supplied PC connector cable. Refer to PC or Windows manual to identify which COM port to be used for connection.

Before you begin...

- Turn your PC off.
- Set Camcorder POWER to OFF.

Note:

- Be sure to turn PC off before connection for properly image transfer.
- After Camcorder and PC are connected by starting up the software included, video recording is not possible.



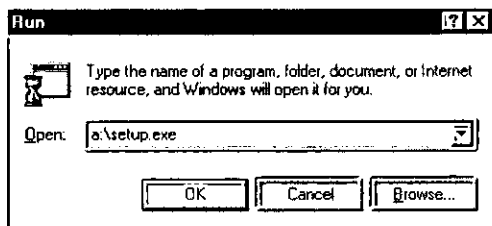
Software Installation (Windows 95/98)



Before you begin...

- Your PC is in the power on mode.

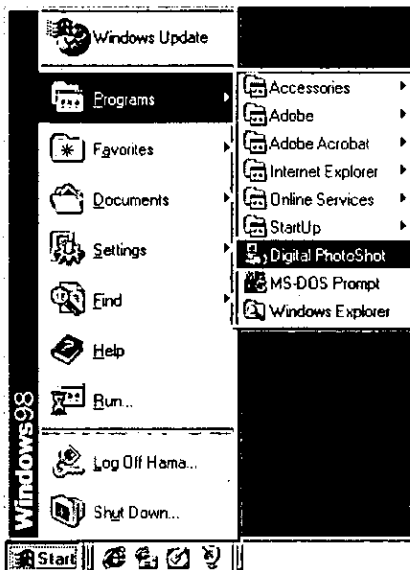
- 1** Turn on PC (Personal Computer) and start up Windows.
- 2** Insert Digital PhotoShot disk (Windows 95/98) into a floppy disk drive.
- 3** Click on Start, then “Run...”
- 4** Type in `a:\setup.exe` and click OK.
 - If your 3.5 inch floppy disk drive is not “A”, use appropriate letter.
- 5** Follow instructions as they appear on PC screen until the installation is complete.
 - Setup window will disappear when the installation is complete.



Note:

- Please look for Windows NT version of driver software on our website at <http://www.panasonic.com/video>.

Running the Software (Windows 95/98)



Before you begin...

- Insert the CompactFlash Card (page 53).
- Make Camcorder-PC connections (page 63).
- Turn both units on.
- Set Camcorder POWER to PHOTO.

1 Click on Start, then "Programs," then "Digital PhotoShot."

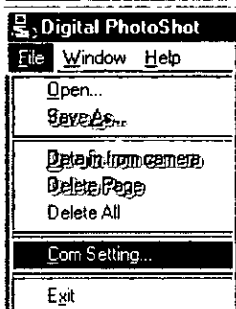
2 "Digital PhotoShot" is opened.

Note:

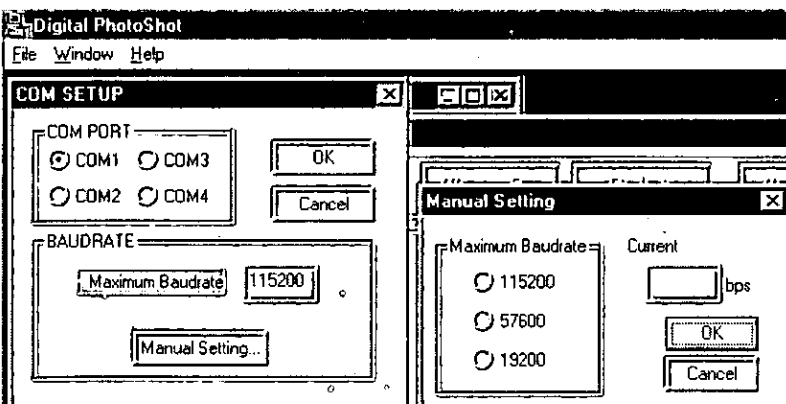
- If connection error message appears, confirm COM Port to be used for the connection with the Camcorder and correct COM Port selection as follows:

- a Select File
- b Select COM setting
- c Select the correct COM Port
- d Select OK

COM PORT: COM1, COM2, COM3 or COM4
(COM1 or COM2 is usually used.)



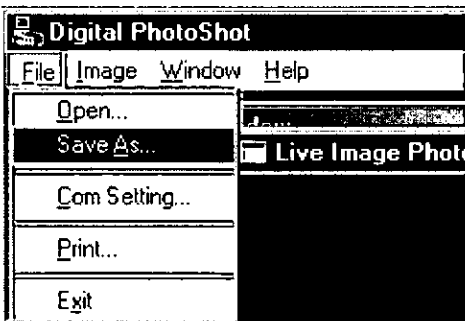
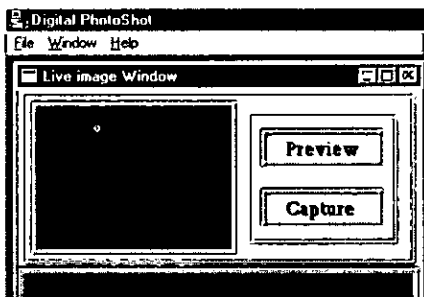
Refer to Help for information about application operation and other Error messages.



PC Connection

Using Live Image Data

You can capture the current Camcorder picture to your PC.



Before you begin...

- Insert the CompactFlash Card (page 53).
- Make Camcorder-PC connections (page 63).
- Turn both units on.
- Set Camcorder POWER to PHOTO.

1

Repeat step 1 and 2 on page 65 to run the Software.

2

Click on "Window," then select "1 Live image Window."

3

Click on "Preview," then Click on "Capture."

- Repeat this step to decide on an image.
- Captured image is transferred to your PC when "Capture" is clicked on.

4

Click on "Window," then select "Live photo Zoom In."

5

Click on "File," then select "Save As."

- Captured image is stored to your PC.

Note:

- If, while transferring the image to your PC, the displayed picture appears abnormal, restart the PC application and turn Camcorder POWER off, and then back on.

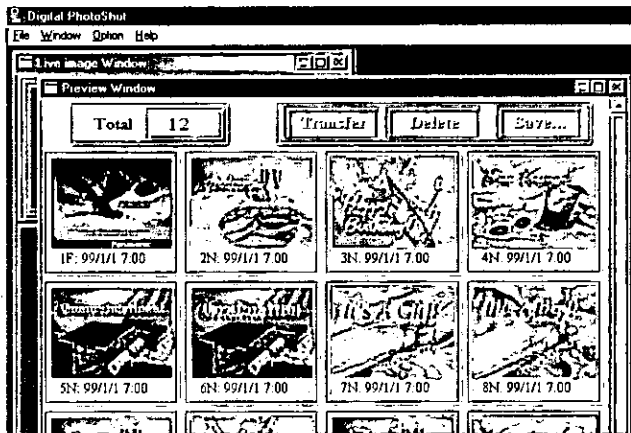
Using CF Card Image Data

Pictures captured with Camcorder can be transferred to your PC.

Before you begin...

- Insert the CompactFlash Card (page 53).
- Make Camcorder-PC connections (page 63).
- Turn both units on.
- Set Camcorder POWER to PHOTO.

- 1 Repeat step 1 and 2 on page 65 to run the Software.
- 2 "Preview Window" screen appears.



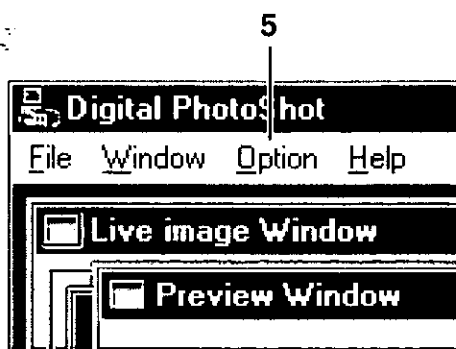
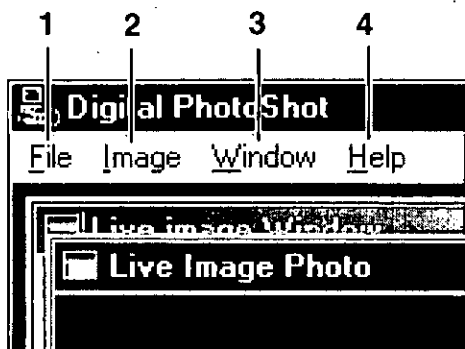
- 3 Select the image data you want to transfer to your PC.
 - The selected image will be underlined in green.

- 4 Click on:
 - Transfer**
 - The picture image is transferred to your PC and displayed.
 - Delete**
 - The picture image is deleted.
 - Save...**
 - The picture image is transferred to your PC and displayed.

Note:

- If, while transferring the image to your PC, the displayed picture appears abnormal, restart the PC application and turn Camcorder POWER off, and then back on.

Driver Quick Reference



1 File

- **Open...**
To open an existing image (Bitmap or JPEG).
- **Save As**
To save the active image file under a new file name while preserving the original file.
- **Data in from CAMERA**
To display a dialog box listing all images in the CF Card memory along with Preview, Transfer, Delete, etc. commands.
- **Delete Page**
To delete the selected image from the CF Card memory.
- **Delete All**
To delete all images from the CF Card memory.
- **Com Setting**
To specify the port to which the Camcorder is connected.
- **Print...**
To print the currently active image.
- **Exit**
To quit the "Digital PhotoShot" application.

2 Image

- **Image Adjustment**
To modify the captured image as desired.
- **Copy to Clipboard**
To copy a view image to clipboard.

3 Window

- **Close Image**
Select "Close image" to close all view windows.
- **Live Photo Zoom In**
To open a view window.

4 Help

- **Help**
To display the Help screen.
- **About**
To display software version information.

5 Option

- **Reload**
To load the picture from the Camcorder to your PC again when Camcorder CF Card was changed.

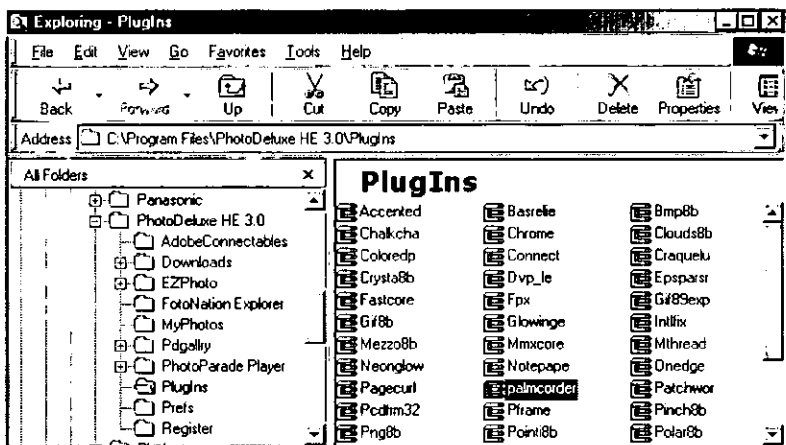
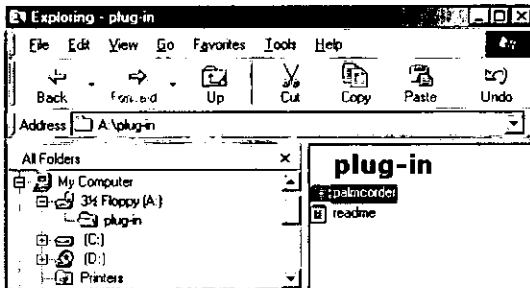
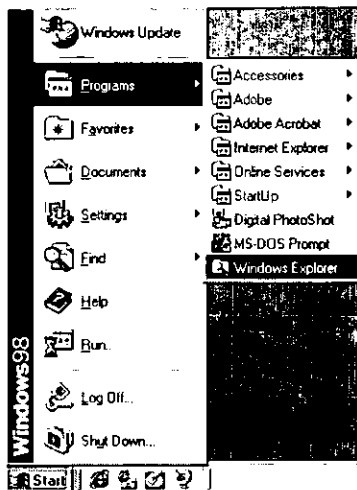
Plug-in Driver for Adobe® PhotoDeluxe™ HE 3.0 (PV-L859 only)

The Plug-in Driver allows interface between Camcorder and PhotoDeluxe HE 3.0 application.

Note:

Install Adobe PhotoDeluxe HE 3.0 before proceeding.

- 1 Turn on PC (Personal Computer) and start up Windows.
- 2 Insert Plug-in Driver disk into Drive A.
- 3 Select "Start" → "Programs" → "Windows Explorer"
- 4 Copy "\\Plug-in\Palmcorder.8ba" file to "\\PhotoDeluxe 3.0\Plug-ins" folder.

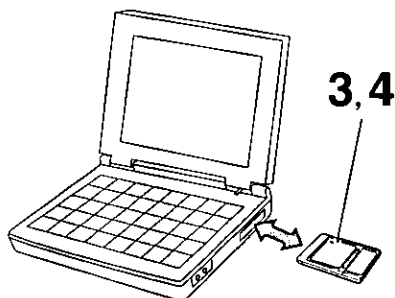
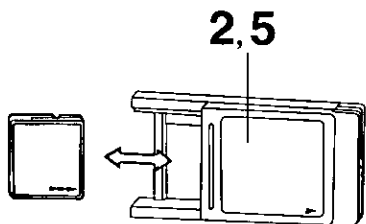
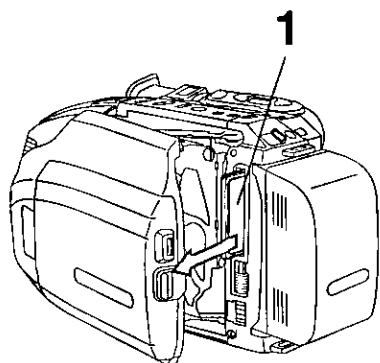


- 5 When installed, start up PhotoDeluxe HE 3.0 and follow instructions on how to transmit images.

Using a PCMCIA Adaptor (optional)

If your PC has a PCMCIA type II slot, you can insert the CompactFlash Card into a PCMCIA adaptor (optional, page 80) to transfer images, captured with this Camcorder only, to your PC.

Inserting a CompactFlash Card



Before you begin...

- Turn your PC on.
- Set Camcorder POWER to OFF.

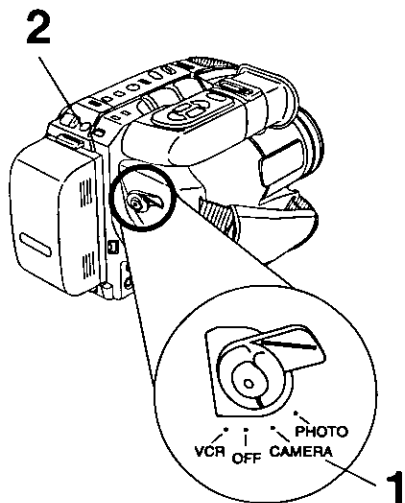
- 1** Remove the **CompactFlash Card** from the Camcorder (page 53).
- 2** Hold the **CompactFlash Card** so that the arrow side faces up and points toward the **PCMCIA Adaptor**. Securely insert the card into the PCMCIA Adaptor slot as far as it will go.
- 3** Hold the **PCMCIA Adaptor** so that the arrow side points toward the PCMCIA type II slot of **your PC (Personal Computer)**. Securely insert the PCMCIA Adaptor as far as it will go.
 - Depending on the PC, it may be necessary to turn the PCMCIA Adaptor upside down in order to insert the card.
- 4** To remove, push the eject button on your PC (may vary by machine) and pull the **PCMCIA Adaptor** out until it is no longer inserted in the **PC (Personal Computer)**.
- 5** Pull the **CompactFlash Card** out of the **PCMCIA Adaptor**.

Note:

- Do not remove the PCMCIA Adaptor from the PC while the PC is working or while image data is being transferred between the CompactFlash Card and the PC (including operation such as opening and storing images), this will cause irreversible damage to the memory.
- If you change file name or folder in the CF card, the images be displayed properly on PHOTO mode.

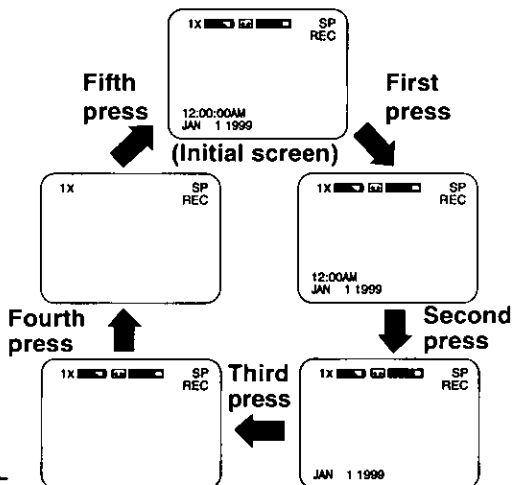
Viewfinder/LCD Monitor Indications

Tape remaining and battery charge level can be displayed.



1 Set **POWER** to **CAMERA**.

2 Press **DISPLAY** repeatedly to select the following displays.



Battery Remaining:



Tape Remaining:

(No tape)

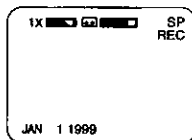
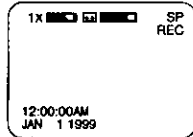


• Tape remaining indicator operates a few seconds after tape starts moving.

Recording the Date and Time

1 Do steps 1 and 2 above to select time/date, date only, or no display.

2 Start a recording (page 23).
• Only the Date and/or Time are recorded.



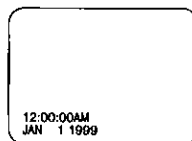
Display-Off Mode

No Indication, except Intelligent Titler (pages 50-52), will be displayed.

Press **DISPLAY** and **STOP** together over 1 second.

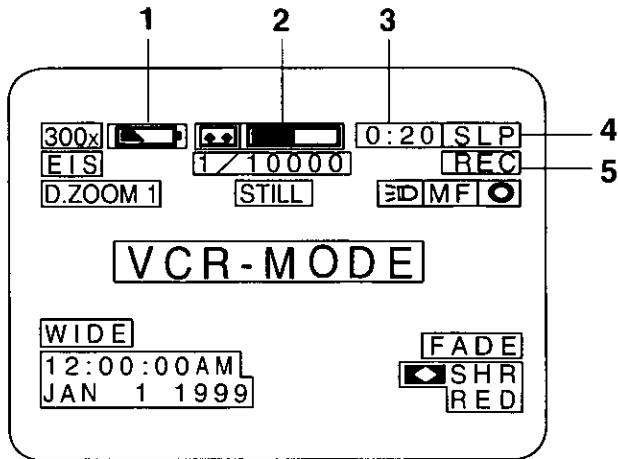
Press **DISPLAY** repeatedly to remove time/date.

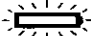
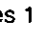

Indications are restored when Camcorder is turned off, and then on again.




Viewfinder/LCD Monitor Indications

CAMERA/VCR mode



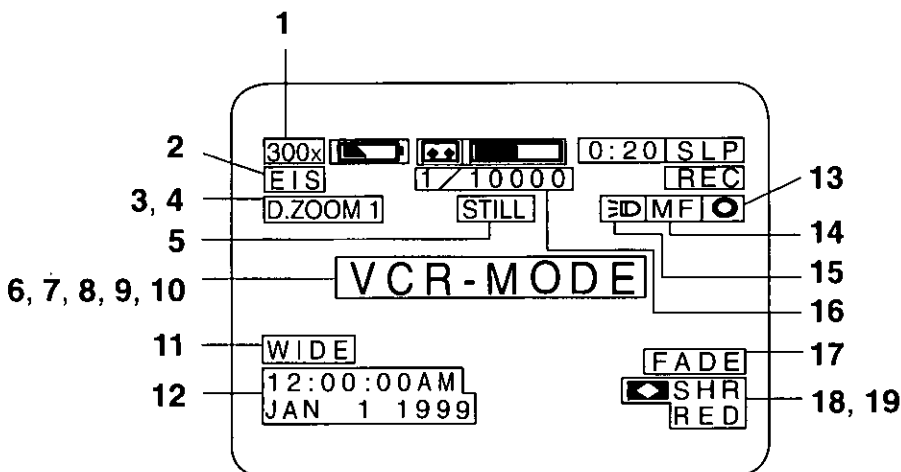
- 1 Battery Remaining**  (page 71)
“WARNING LOW BATTERY” appears and External Power Lamp starts flashing 15 seconds before Camcorder shutoff.
- 2 Tape Remaining**
 - If cassette is not inserted or has no record tab in Camera (RECORD) mode, “” flashes 1 minute and “CHECK TAPE” appears 5 seconds.
 - As end of tape is reached, “” flashes and “TAPE END” appears 5 seconds.
- 3 10-Second Reminder**
Each time a recording is started, a 10 second incremental display (up to 59:50) lets you monitor how long one scene is recorded.

0:00 0:10 0:20 59:50


(return to 0:00 and continue)

Viewfinder/LCD Monitor Indications

CAMERA/VCR mode



1 Zoom Magnification level (page 35).

2 Digital E.I.S. (page 44).

3 Digital Zoom (page 43).

4 Digital Wipe (pages 60, 61).

5 Still/Strobe (page 45).

6 VCR-MODE

Appears 1 minute when POWER is set to VCR or if RECORD/PAUSE is pressed in VCR mode.

7 DEW

If moisture condensation occurs in unit, "WARNING DEW DETECTED" appears, Power Lamp flashes, and Camcorder will shutoff in 15 seconds. Wait until lamp no longer flashes when Camcorder is turned on to use.

8 Time Lapse (page 48).

9 Security Mode (pages 46, 47).

10 Message Mode (page 49).

11 Wide Screen (page 45).

12 Date and Time (page 21).

13 Backlight (page 35).

14 Manual Focus (page 36).

15 Light ON/OFF (pages 22, 56).

16 High Speed Shutter (page 37).

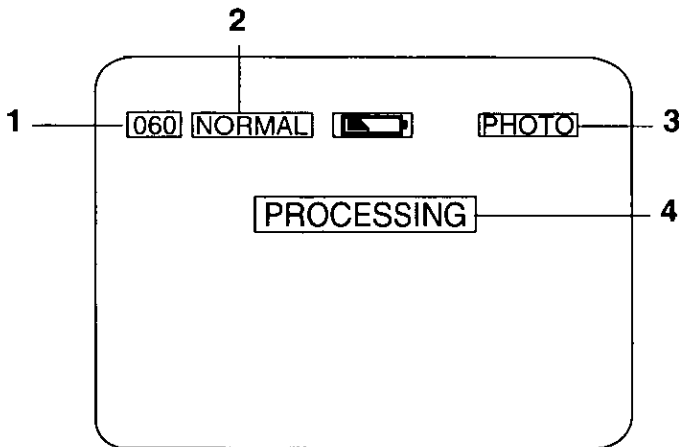
17 Fade (page 39).

18 Color Digital Fade (pages 40, 41).

19 Color Digital Filter (page 42).

Viewfinder/LCD Monitor Indications

PHOTO mode



1 Image Page Remaining Indication (pages 54, 55)

- Image pages left in selected mode.
"000" flashes when memory is full.
- Memory capacity provided all pictures are taken in the same mode:
"NORMAL" mode → Approx 60 images
(Supplied 2 MB CompactFlash Card)
"FINE" mode → Approx 15 images
(Supplied 2 MB CompactFlash Card)

2 REC MODE

- NORMAL or FINE mode.
- Image Size :
"NORMAL" mode → 320 x 240 pixels.
"FINE" mode → 640 x 480 pixels.

3 Recording Mode

- POWER is set to PHOTO.

4 Image Status Indication

Image status is displayed when captured.

PROCESSING:

Image is being processed.

Note: Do not change setting to CAMERA or change recording mode while "PROCESSING" is displayed.

COMPLETED:

Image processing is completed.

The next image may be captured when "COMPLETED" disappears.

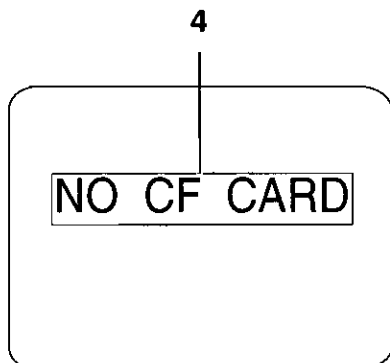
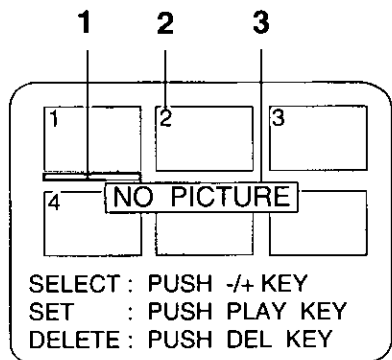
PLEASE WAIT:

Displayed when image is selected from Multi Image Playback screen.

Note: Do not change POWER setting to CAMERA or change recording mode while "PLEASE WAIT" is displayed.

Viewfinder/LCD Monitor Indications

PHOTO mode



- 1** Currently selected image is underlined in green or red.
- 2** Multi Image Playback page number.
"NORMAL" mode → green
"FINE" mode → white
- 3** Image Status Indication
NO PICTURE:
No image is captured, all images are deleted from card.

- 4** **CF CARD Indication**
When the CompactFlash Card is not inserted in CAMERA or PHOTO mode, "NO CF CARD" appears.
If the CompactFlash Card is defective, "CF CARD ERROR" appears.

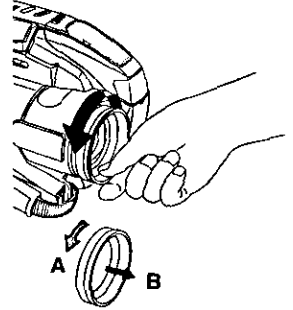
Operation Notes

Attaching Optional Filters and Lenses

When you remove the Lens Hood, pinch the Lens Hood and turn it counterclockwise as illustrated at right.

Then attach an optional filter or lens.

- Be careful not to touch the lens itself.
- Replace the Lens Hood after removing the accessory.



Lens Hood Area Operation Caution

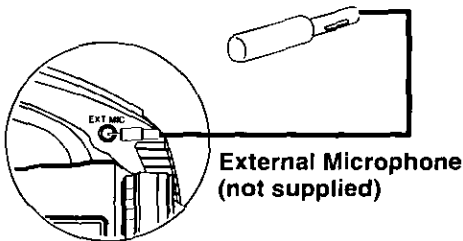
With a Wide or Telephoto conversion lens (optional) attached, the four corners of the screen may darken when zoom is set to maximum wide angle.

When attaching the lens hood, a Wide or Telephoto conversion lens (optional), etc. after a filter (optional) has been attached, the four corners of the screen may darken when zoom is set to maximum wide angle.

With two filters (optional) attached, the four corners of the screen may darken when zoom is set to maximum wide angle.

External MIC IN

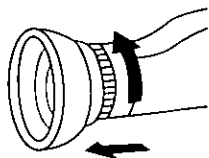
Connect an external Microphone (optional) using an M3 connector if necessary. The built-in microphone is automatically disconnected when an external microphone is plugged in.



Cleaning EVF (Electronic Viewfinder)

PV-L759

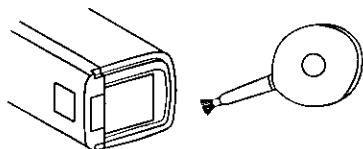
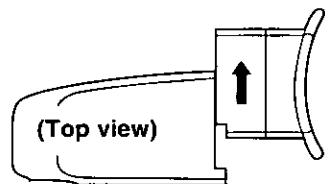
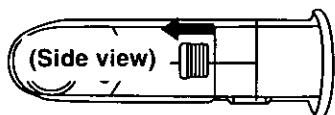
To Remove



- 1** Turn the EVF Eyepiece counterclockwise 1/8 of a turn.
- 2** Pull free.
Remove any lint or dust particles with a soft clean cloth being careful not to scratch the glass surfaces.
- 3** **To re-install EVF**
Line up the marks on the Eyepiece with the grooves inside the EVF shaft and attach. Turn the EVF clockwise 1/8 of a turn to lock in place.

PV-L859

To Remove



- 1** Slide and hold Eyepiece RELEASE button.
- 2** Slide the Eyepiece as shown. (DO NOT TWIST.)
- 3** Remove lint or dust with a lens blower (available where photography accessories are sold). DO NOT touch lens with fingers. Then, replace Eyepiece.

Replacing Clock/Remote Battery

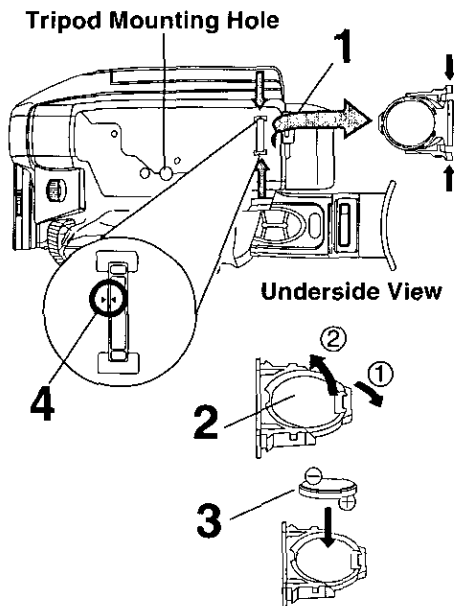
The clock and remote batteries are pre-installed. Follow the steps below if replacement becomes necessary.

WARNING:

Replace battery with Panasonic PART NO. VSBW0004 (CR2025) only. Use of another battery may present a risk of fire or explosion.

Caution: Battery may explode if mistreated. Dispose of used battery promptly. Keep away from children. Do not recharge, disassemble or dispose of in fire.

Clock Battery

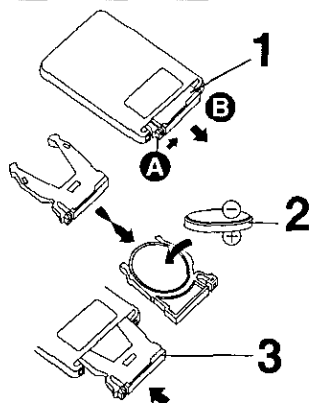


- 1** While pinching 2 tabs, pull Battery Tray out.
- 2** Bend 1 tab to remove Battery.
- 3** Snap new Battery (⊕ mark down) into Battery Tray.
 - Do not reverse the polarity.
- 4** Insert Battery Tray so the triangle marks meet.

Note:

- Keep Battery out of children's reach. Swallowing it may be harmful.
- Improperly installed, discharged, or missing battery causes "CLOCK BATTERY" to appear when DISPLAY is pressed.
- Battery life is approximately 5 years.

Remote Battery




- 1** **A** While pressing stopper tab, **B** pull Battery Tray out.
- 2** Insert battery into tray with ⊕ mark down.
Do not reverse polarity.
- 3** Replace Battery Tray.

Palmcorder Accessory System

For ordering instructions, see the Accessory Order Form page.



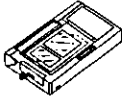
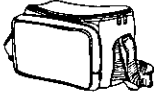
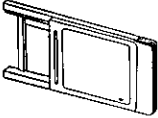
- The listed standard battery use times are based on continuous recording using this Palmcorder.

Accessory #	Figure	Description	Price
PV-A17		AC Adaptor with DC Power Cable	\$130.00
HHR-V214A/K		6.0Ah / 6 hr Battery Pack with Universal Battery Charger	\$200.00
P-V215A/1B		3.0Ah / 3 hr Battery Pack	\$60.00
PV-BP17, P-V214A/1B		2.4Ah / 2 hr 30 min Battery Pack	\$50.00
PV-BP18, P-V611A/1B		1.8Ah / 2 hr Battery Pack	\$45.00
PV-BP15, P-V213A/1B		1.2Ah / 1 hr 10 min Battery Pack	\$45.00
PV-AA6		"AA" Battery Case	\$20.00

For Your Information

Palmcorder Accessory System

For ordering instructions, see the Accessory Order Form page.

Accessory #	Figure	Description	Price
PV-C16		Car Battery Cord	\$70.00
PV-RF16		RF Adaptor	\$40.00
PV-P1		VHS PlayPak	\$35.00
PV-H18A		Soft Sided Carrying Case	\$49.00
KXL-D55		PCMCIA Adaptor	\$39.00

Palmcorder Accessory Order Form

Please photocopy this form when placing an order.

1. Palmcorder Model # _____

2. Items Ordered

Accessory #	Description	Price Each	Quantity	Total Price
Subtotal				
Your State & Local Sales Tax				
Shipping & Handling				5.00
Total Enclosed				

3. Method of payment (check one)

- Check or Money Order enclosed (NO C.O.D.SHIPMENTS)
- VISA Credit Card # _____
- MasterCard Expiration Date _____
- Discover Customer Signature _____

Make Check or Money Order to: MATSUSHITA ACCESSORIES

(Please do not send cash)

4. Shipping information (UPS delivery requires complete street address)

Ship To:

Mr.

Mrs.

Ms.

First _____ Last _____

Phone #:

Day () _____

Street Address _____

Night () _____

City _____ State _____ Zip _____

TO OBTAIN ANY OF OUR OMNIMOVIE/PALMCORDER ACCESSORIES YOU CAN DO ANY OF THE FOLLOWING:

VISIT YOUR LOCAL PANASONIC DEALER

OR

CALL PANASONIC'S ACCESSORY ORDER LINE AT 1-800-332-5368

[6 AM-5 PM M-F, 6 AM-10:30 AM SAT, PACIFIC TIME]

OR

MAIL THIS ORDER TO: PANASONIC SERVICES COMPANY ACCESSORY ORDER OFFICE

20421 84th Avenue South Kent, WA. 98032

Specifications

Power Source:	Compact VHS Camcorder: DC 6V AC Adaptor: 110/120/220/240V AC, 50/60 Hz Battery: Nickel-Cadmium Type DC 6V
Power Consumption:	Compact VHS Camcorder: 6V DC 8.5 W (Max. 11.5 W) AC Adaptor: 24W 1.2W (when not in use.)
Video Signal:	EIA Standard (525 lines, 60 fields) NTSC color signal
Video Recording System:	2 rotary heads plus flying erase head. Helical scanning system (PV-L759) 4 rotary heads plus flying erase head. Helical scanning system (PV-L859)
Audio:	1 track
Pick-Up System:	Sequential color difference field reverse system
Pick-Up Device:	One integral color filter Charge Coupled Device (CCD)
Lens:	26:1 zoom lens, F1:1.6 with auto iris control Focal length: 3.8mm - 98.8mm (4.5mm - 117mm: When recording.) (43.2mm - 1123.2mm: When converted to a 35mm still camera.) 4 speed power zoom function Lens filter diameter: 49mm
Viewfinder:	0.5 inch (12.7mm) Electronic Viewfinder (PV-L759) 0.5 inch (12.7mm) Liquid Crystal color Electronic Viewfinder (PV-L859)
LCD Monitor:	4.0 inch (101.6mm) Liquid Crystal Display
Memory:	2 MB CompactFlash Card
Image Size:	FINE: 640 × 480 pixels Normal: 320 × 240 pixels
Image Storage:	FINE: Approx. 15 images Normal: Approx. 60 images
Image Format:	JPEG
Minimum Illumination Required:	2.0 lx (F1:1.6) 0.20 footcandles 10 lx (F1:1.6) 1.0 footcandles (EIA Standard)
Earphone Jack:	M3 Type
External Microphone Jack:	M3 Type
Operating Temperature:	32°F~104°F (0°C~40°C)
Operating Humidity:	10%~75%
Weight:	Compact VHS Camcorder: 2.4 lbs. 1.09 kg AC Adaptor: 0.77 lbs. 0.35 kg
Dimensions:	Compact VHS Camcorder: 4-1/4 (W) × 4-5/8 (H) × 7-1/8 (D) inch 107 (W) × 118 (H) × 180 (D) mm AC Adaptor: 2-3/4 (W) × 1-5/8 (H) × 5-3/4 (D) inch 70 (W) × 41 (H) × 145 (D) mm

Weight and dimensions shown are approximate.
Designs and specifications are subject to change without notice.

Before Requesting Service

If a problem arises, you may be able to correct it yourself.
See Symptom and Correction list below.

Symptom	Correction
No picture in EVF ...	<ul style="list-style-type: none"> • Connect Power Source. (pp. 12, 14) • Set POWER to VCR or CAMERA. (pp. 23, 29) • Check for Dew Indication. (p. 73) • Use fully charged Battery. (p. 12) • Firmly connect all needed cables. (p. 32)
The right side of the screen appears grayish...	<ul style="list-style-type: none"> • Be sure to slide Digital Select to Digital Wipe. (p. 60)
Video cassette cannot be inserted ...	<ul style="list-style-type: none"> • Connect Power Source. (pp. 12, 14) • Insert cassette, window side facing out. (p. 15)
Video cassette cannot be removed ...	<ul style="list-style-type: none"> • Connect Power Source. (pp. 12, 14)
Operation buttons do not work ...	<ul style="list-style-type: none"> • Check for Dew Indication. (p. 73)
Recording cannot be done ...	<ul style="list-style-type: none"> • Make sure record tab is intact. (p. 15) • Check Battery Indicator. (p. 71) • Check for Dew Indication. (p. 73)
Auto Focus does not operate ...	<ul style="list-style-type: none"> • Set FOCUS to AUTO. (p. 36) • Set POWER to CAMERA. (p. 23)
The Message mode cannot be used ...	<ul style="list-style-type: none"> • Make sure cassette is loaded. • Set MESSAGE to ON in Menu mode. (p. 49)
Sound from microphone can't be monitored ...	<ul style="list-style-type: none"> • Set unit to REC or Record/Pause mode.
Camera picture is too dark ...	<ul style="list-style-type: none"> • Turn HIGH SPEED SHUTTER off. (p. 37)
No playback picture, or the playback picture is noisy or contains streaks ...	<ul style="list-style-type: none"> • Press UP ▲/DOWN ▼ button during playback (Tracking Control). (p.31)
Playback picture is fast, and there is no sound ...	<ul style="list-style-type: none"> • Set TIME LAPSE to OFF in Menu mode. (p. 48)
"Panasonic ITS TAPES PLAY IN YOUR VCR ..." appears in EVF and LCD Monitor ...	<ul style="list-style-type: none"> • Set POWER to CAMERA, then hold down STOP over 5 seconds to exit Demo mode. (p. 8)
"NO CF CARD" appears in EVF and LCD Monitor ...	<ul style="list-style-type: none"> • Make sure CompactFlash Card is inserted. (p. 53)
Cannot capture the image ...	<ul style="list-style-type: none"> • Set POWER to PHOTO. (p. 54) • No memory remaining. Delete some images before capturing more images.
Cannot playback Still image ...	<ul style="list-style-type: none"> • Set POWER to PHOTO. (p. 54) • Make sure CompactFlash Card is inserted. (p. 53)
"NO PICTURE" appears in EVF and LCD Monitor ...	<ul style="list-style-type: none"> • There are no images in memory.
Top of playback picture waves back and forth excessively ...	<ul style="list-style-type: none"> • A playback signal is not as stable as an off the air TV signal, so the top of your TV screen may appear bent or unstable during playback. This is called, "Horizontal AFC time constant change." To correct, slowly turn the TV horizontal hold control. If you TV does not have this control, or adjusting it does not help, contact your TV service center. (Some nominal service charges may be required.)

Before Requesting Service

Video Head Cleaning



Clogged Video Head

While head cleaning is normally not needed, playing old or damaged tapes may clog the heads. When playback picture resembles example at the left, head cleaning is required.

Ideally, head cleaning should be performed by a qualified service technician. When this is not possible, purchase a head cleaning cassette. Be sure to follow cleaning cassette instructions exactly and only use when symptoms occur.

Self Diagnostic System

If any of the following numbers appear on-screen, the camcorder may have a problem. Do not remove the battery (if attached) and write down the displayed number on page 85. Then, take the camcorder to a service center for repair.

Error No.	Description
U11	CF Card Error
U12	CF Card Error
U13	CF Card Error
U14	CF Card/Camcorder Dialogue Error
U15	No CF Card Memory
U16	Captured image limit exceeded
U17	Captured image limit exceeded
U30	Error other than above

Request for Service Notice

Please photocopy this form when making a request for service notice.

Request for Service Notice:

In the unlikely event this product needs service.

- Please include your **proof of purchase**.
(Failure to do so will delay your repair.)
- To further speed your repair please provide an explanation of what is wrong with the unit and any symptom it is exhibiting.

Mail this completed form and your Proof of Purchase along with your unit to:
Panasonic Services Company
1705 N. Randall Road
Elgin, IL. 60123-7847
Attn: Camcorder Repair

Please write the displayed Self Diagnostic number here.
(See page 84)

For Your Information

Warranty

Panasonic Consumer Electronics Company, Division of Matsushita Electric Corporation of America

One Panasonic Way Secaucus,
New Jersey 07094

Panasonic Sales Company, Division of Matsushita Electric of Puerto Rico, Inc.

Ave. 65 de Infantería. Km. 9.5
San Gabriel Industrial Park, Carolina, Puerto Rico 00985

PANASONIC/QUASAR Video Products Limited Warranty

Panasonic Consumer Electronics Company or Panasonic Sales Company (collectively referred to as "the Warrantor") will repair this product with new or refurbished parts, free of charge, in the USA or Puerto Rico, in the event of a defect in materials or workmanship as follows (all time periods commence from the date of the original purchase):

PRODUCT	PARTS	LABOR
CAMCORDER	ONE (1) YEAR, EXCEPT CCD IMAGE SENSOR CCD IMAGE SENSOR - SIX (6) MONTHS	NINETY (90) DAYS NINETY (90) DAYS
VCR	ONE (1) YEAR	NINETY (90) DAYS
A/V MIXER	ONE (1) YEAR	NINETY (90) DAYS
MONITOR-VCR	ONE (1) YEAR, EXCEPT CRT CRT - TWO (2) YEARS	NINETY (90) DAYS CRT- NINETY (90) DAYS CUSTOMER PAYS ALL LABOR CHARGES AFTER 90 DAYS

Monitor-VCR In-home or carry-in Service: 22" (diagonal) CRT / LCD and Larger Monitor-VCR Carry-in Service: 21" (diagonal) CRT / LCD and smaller

Batteries (if included) - New rechargeable batteries in exchange for defective rechargeable batteries for ten (10) days. Non-rechargeable batteries are not warranted.

Tape (if included) - New video cassette tape in exchange for a defective video cassette tape for five (5) days.

In-home, carry-in or mail-in service, as applicable, in the USA can be obtained during the warranty period by contacting a Panasonic Services Company (PASC) Factory Servicenter listed in the Service Directory. Or call toll free 1-800-211-PANA(7262), to locate an authorized PASC Servicenter. Carry-in or mail-in service in Puerto Rico can be obtained during the warranty period by calling the Panasonic Sales Company telephone number listed in the Servicenter Directory.

This warranty is extended only to the original purchaser. A purchase receipt or other proof of the date of the original purchase is required before warranty service is rendered.

This warranty only covers failures due to defects in materials and workmanship which occur during normal use and does not cover normal maintenance, including, but not limited to, video and audio head cleaning. The warranty does not cover damage which occurs in shipment, or failures which are caused by products not supplied by the warrantor, or failures which result from accident, misuse, abuse, neglect, mishandling, misapplication, alteration, modification, faulty installation, set-up adjustments, improper antenna, inadequate signal pickup, maladjustment of consumer controls, improper operation, power line surge, improper voltage supply, lightning damage, commercial use such as hotel, office, restaurant, or other business or rental use of the product, or service by anyone other than a PASC Factory Servicenter or a PASC authorized Servicenter, or damage that is attributable to acts of God.

LIMITS AND EXCLUSIONS

There are no express warranties except as listed above. THE WARRANTOR SHALL NOT BE LIABLE FOR INCIDENTAL OR CONSEQUENTIAL DAMAGES (INCLUDING, WITHOUT LIMITATION, DAMAGE TO TAPES) RESULTING FROM THE USE OF THIS PRODUCTS, OR ARISING OUT OF ANY BREACH OF THE WARRANTY. ALL EXPRESS AND IMPLIED WARRANTIES, INCLUDING THE WARRANTIES OF MERCHANTABILITY AND FITNESS FOR PARTICULAR PURPOSE, ARE LIMITED TO THE APPLICABLE WARRANTY PERIOD SET FORTH ABOVE. Some states do not allow the exclusion or limitation of incidental or consequential damages, or limitations on how long an implied warranty lasts, so the above exclusions or limitations may not apply to you.

This warranty gives you specific legal rights and you may also have other rights which vary from state to state.

If a problem with this product develops during or after the warranty period, you may contact your dealer or Servicenter. If the problem is not handled to your satisfaction, then write to the Customer Satisfaction Center at the Panasonic Consumer Electronics Company address above.

SERVICE CALLS WHICH DO NOT INVOLVE DEFECTIVE MATERIALS OR WORKMANSHIP AS DETERMINED BY THE WARRANTOR, IN ITS SOLE DISCRETION, ARE NOT COVERED. COSTS OF SUCH SERVICE CALLS ARE THE RESPONSIBILITY OF THE PURCHASER.

warvid 10/20/97

Warranty

For Product Information, Operating Assistance, Literature Request, Dealer Locations, and all Customer Service Inquiries please contact:

1-800-211-PANA(7262), Monday-Friday 9am-9pm Saturday-Sunday 9am-7am, EST.

Web Site: <http://www.panasonic.com>

You can purchase parts, accessories or locate your nearest servicenter by visiting our Web Site.

Accessory Purchases:

1-800-332-5368 (Customer Orders Only)

Panasonic Services Company 20421 84th Avenue South, Kent, WA 98032

(6 am to 5 pm Monday - Friday; 6 am to 10:30 am Saturday; PST)

(Visa, MasterCard, Discover Card, American Express, Check)

Product Repairs

Centralized Factory Servicenter

MAIL TO :

Panasonic Services Company
1705 N. Randall Road,
Elgin, IL 60123-7847

Attention: Camcorder Repair

Please carefully pack and ship, prepaid and insured, to the Elgin centralized repair Factory Servicenter. While there will be added handling delays, you may bring your unit to one of the following locations who will then forward the unit to Elgin for repair.

Customer's in Puerto Rico, please ship or carry in to location below ("Service in Puerto Rico").

Factory Servicenters Locations

CALIFORNIA

6550 Katella Avenue
Cypress, CA 90630

800 Dubuque Avenue
S. San Francisco
CA 94080

20201 Sherman Way
Suite 102
Canoga Park, CA 91306

3878 Ruffin Road
Suite A
San Diego, CA 92123

COLORADO

1640 South Atilene
Street Suite D
Aurora, CO 80012

FLORIDA

3700 North 29th Avenue
Suite 102
Hollywood, FL 33020

GEORGIA

8655 Roswell Road
Suite 100
Atlanta, GA 30350

ILLINOIS

9060 Golf Road
Niles, IL 60714

1703 North Randall Road
Elgin, IL 60123
(Pick-up/drop-off only)

MARYLAND

62 Mountain Road
Glen Burnie, MD 21061

MASSACHUSETTS

60 Glacier Drive
Suite G
Westwood, MA 02090

MICHIGAN

37048 Van Dyke Avenue
Sterling Heights,
MI 48312

MINNESOTA

7850-12th Avenue South
Airport Business Center
Bloomington, MN 55425

OHIO

2236 Waycross Road
Civic Center Plaza
ForestPark, OH 45240

PENNSYLVANIA

2221 Cabot Blvd. West
Suite B
Langhorne, PA 19047

Chartiers Valley
Shopping Center
1025 Washington Pike
Bridgeville, PA 15017

TENNESSEE

3800 Ezell Road
Suite 806
Nashville, TN 37211

TEXAS

7482 Harwin Drive
Houston, TX 77036

13615 Welch Road
Suite 101
Farmers Branch, TX
75244

WASHINGTON

20425-84th Avenue
South
Kent, WA 98032

HAWAII

99-859 Iwaiwa Street
Aiea, Hawaii 96701
Phone (808) 488-1996
Fax (808) 486-4369

Service in Puerto Rico

Matsushita Electric of Puerto Rico, Inc. Panasonic Sales Company/ Factory Servicenter:

Ave. 65 de Infantería. Km. 9.5 San Gabriel Industrial Park Carolina, Puerto Rico 00985

Phone (787) 750-4300 Fax (787) 768-2910

Index

Symbols

- + (FF) Button 57, 58, 60, 62
- (REW) Button 57, 58, 60, 62

A

- AC Adaptor 14
- Accessories (Optional) 79, 80
- Accessories (Supplied) 2
- Audio/Video Cable 32, 34
- Audio/Video Out 32, 34
- Auto Daylight Saving Time 20

B

- Backlight 35
- BACKLIGHT Button 35
- Battery Pack 9, 12, 13
- BATTERY RELEASE Button 12
- BRIGHT Control 24, 29
- Built-In Twin Capsule 2-Way
Microphone System 23

C

- Camera Recording 23, 24, 25, 26, 27
- Car Battery Cord 14
- CARD EJECT Switch 53
- Charging Battery 12
- Clock Battery 78
- Clock Set 19, 20, 21
- Color Digital Filter 42
- CompactFlash Card 9, 53, 70
- Copying your Tapes 34

D

- D.ZOOM Button 43
- DC IN 14
- DC Power Cable 14
- DEL(STILL) Button 58, 59
- Digital E.I.S. 44
- DIGITAL SELECT Switch
39, 40, 42, 43, 44, 45, 46, 60, 62
- Digital Still Camera
53, 54, 55, 56, 57, 58, 59, 60, 61, 62

- Digital Wipe Mode 61
- DISPLAY Button
17, 19, 20, 21, 25, 27, 31, 38, 39,
40, 42, 46, 47, 48, 49, 50, 52, 54, 71
- Display-off Mode 71

E

- EIS Button 44
- Electronic Viewfinder 77
- External MIC IN 76
- Eyepiece RELEASE Button 77

F

- Fade 39, 40, 41
- FADE Button 39, 41
- FAST FORWARD/SEARCH Button 31
- Focus 36

H

- Hand Strap 16
- High Speed Shutter 37
- HIGH SPEED SHUTTER Button 37

L

- LCD Monitor 24, 29, 54, 57
- LCD-OPEN Button
10, 11, 24, 29, 54, 57
- Lens Cover 23, 54
- Lens Hood 76
- Light 22, 56
- LIGHT Switch 22, 56

M

- MANUAL FOCUS Wheel 36
- MENU Button
17, 19, 20, 21, 25, 27, 38, 39,
40, 42, 46, 47, 48, 49, 50, 52, 54
- MENU Mode 17, 18
- Message Mode 49
- MODE Button 60, 61

P

PC Connection	63, 64, 65, 66, 67, 68, 69
PC Connector	63
PCMCIA Adaptor	70
PHONE (earphone) jack	24, 29
PHOTO MODE Selector	54, 57
PhotoShot Title Library	62
Picture in Picture Wipe Title	60
PLAY Button	11, 29, 30, 57
Playback	29, 30, 31, 32, 33
PlayPak	33
Power Lamp	72
Power Supply	12, 13, 14
POWER Switch	8, 10, 11, 23, 29, 54
POWER ZOOM Switch	35, 36
Programmed Recording	27

R

RECORD Button	55
RECORD/PAUSE Button	10, 23
Remote Control	28
Remote Holder	16, 28
Replacing Battery	78
Request for Service Notice	85
REWIND/SEARCH Button	11, 29, 31
RF Adaptor	32

S

Safety Precautions	3
Security Mode	46, 47
Self Demo Mode	8
Self Diagnostic System	84
Shoulder Strap	16
Slow Play (1/2) <PV-L859 only>	30
Speaker	29
Specifications	82
START Button	61
Still / Strobe / Wide	45
STILL Button	31
Still Picture	31
STILL/STROBE Button	45
STOP Button	8, 11, 29

T

Tab	15
Tally Lamp	38
TAPE EJECT Switch	9, 15, 53
TAPE SPEED Selector	15, 23
Time Lapse	48
TITLE Button	50, 51, 52
Titler	50, 51, 52
Tracking Control	31
Tripod Mounting Hole	78

U

UP ▲/DOWN ▼ Button	17, 31, 54
--------------------	------------

V

VHF Connecting Cable	32, 34
Video Cassettes (tapes)	15
Video Head Cleaning	84
Viewfinder/LCD Monitor Indications	71, 72, 73, 74, 75
Viewing	32
Vision Adjustment Control	23
VOLUME Control	29

W

Warranty	86, 87
----------	--------

Z

Zoom	35, 43
------	--------

Spanish Quick Use Guide/Guía Para Uso Rápido

Antes de comenzar...

- Inserte un casete con lengüeta para prevención del grabado.

Cargue la batería

Cargue completamente la batería antes de usarla.

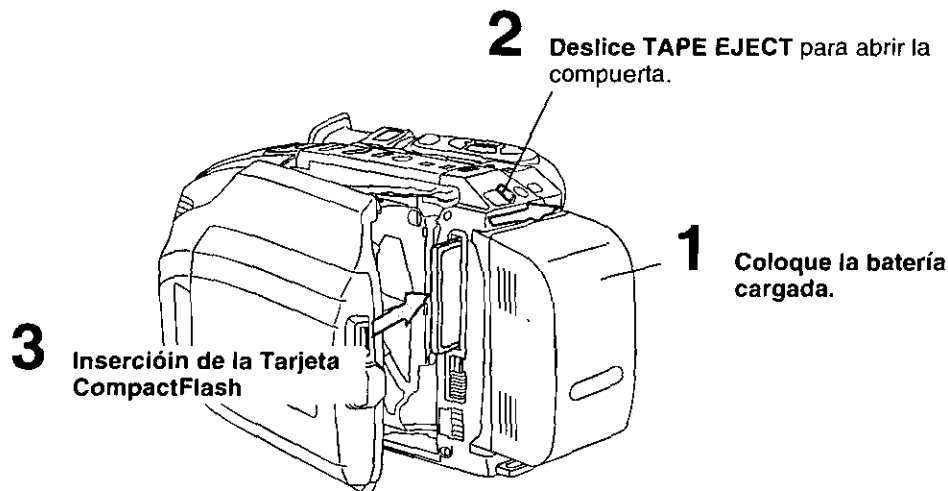
- 2** Inserte la batería.
La lámpara CHARGE se enciende y se apaga al terminar de cargar.
Desmonte la batería.



Inserción de la Tarjeta CompactFlash

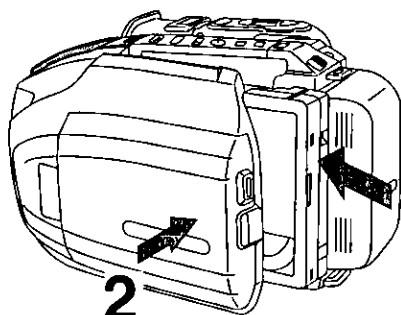
Cuando no se haya insertado la Tarjeta CompactFlash en el modo CAMERA o PHOTO, en la pantalla aparecerá "NO CF CARD". Asegúrese de insertar la Tarjeta CompactFlash antes de utilizar la Cámara Fija Digital Incorporada.

La grabación CAMERA es posible incluso cuando no se ha insertado la Tarjeta CompactFlash.



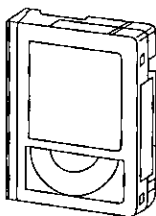
Spanish Quick Use Guide/Guía Para Uso Rápido

Inserte el casete



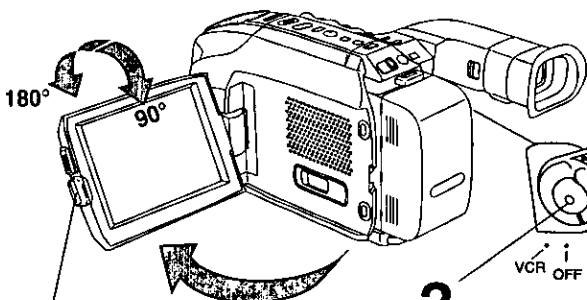
2
Presione aquí para cerrar la compuerta.

1 Inserte el casete.



Grabación con la videocámara

Cuando el monitor LCD está completamente abierto, el visor se desconecta automáticamente.



1 Presione LCD-OPEN para abrir el monitor LCD. Abralo completamente y ajuste el ángulo.

2 Ajuste POWER a CAMERA.

3 Presione RECORD/PAUSE para comenzar la grabación. Presione RECORD/PAUSE otra vez para hacer una pausa en la grabación.

For More Information

Spanish Quick Use Guide/Guía Para Uso Rápido

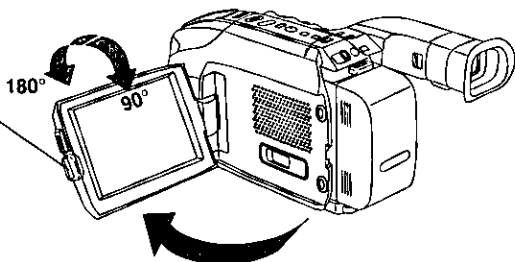
Antes de comenzar...

- Conecte la fuente de alimentación de la videocámara (batería o adaptador de CA)
- Inserte un casete con lengüeta para prevención del grabado.

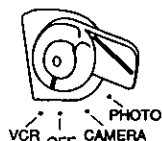
Reproduzca usando el monitor LCD

Cuando el monitor LCD está completamente abierto, el visor se desconecta automáticamente.

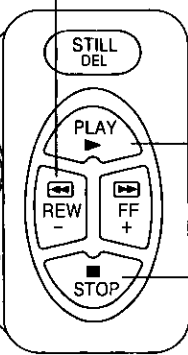
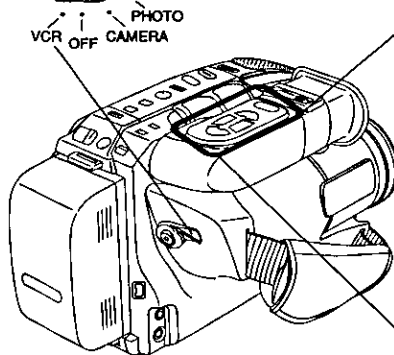
- 1** Presione LCD-OPEN para abrir el monitor LCD. Abralo completamente y ajuste el ángulo.



- 2** Ajuste POWER a VCR.



- 3** Presione REWIND/SEARCH para rebobinar la cinta.



- 4** Presione PLAY para comenzar la reproducción.

- 5** Presione STOP para finalizar la reproducción.

Reproducción con efectos especiales

Para localizar rápidamente una escena específica

- Oprimir el botón de localización (SEARCH).

Para congelar una imagen

- Oprimir el botón de pausa/imagen fija (PAUSE/STILL).
- Oprimir nuevamente el botón cuando se desea continuar reproduciendo.

Panasonic Consumer Electronics Company, Division of Matsushita Electric Corporation of America
One Panasonic Way Secaucus, New Jersey 07094

Panasonic Sales Company, Division of Matsushita Electric of Puerto Rico, Inc. ("PSC")
Ave. 65 de Infantería, Km. 9.5 San Gabriel Industrial Park Carolina, Puerto Rico 00985

